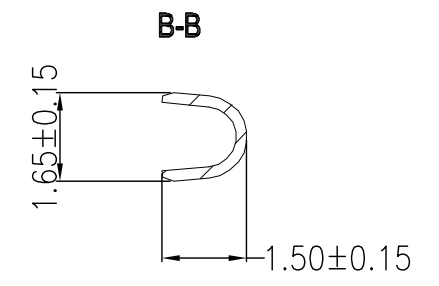
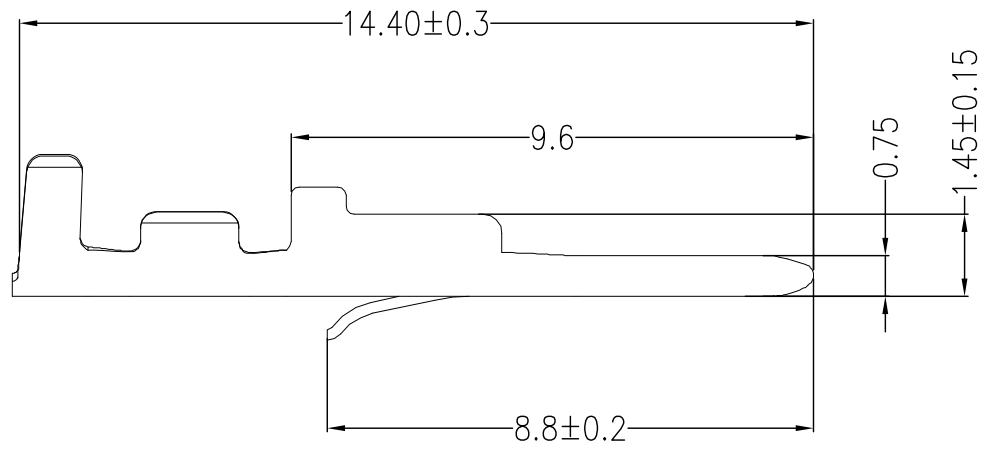
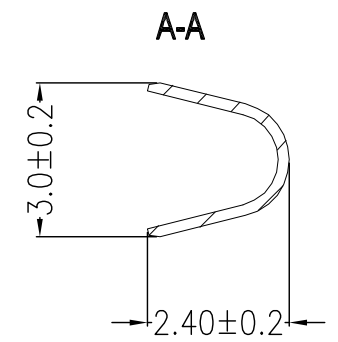
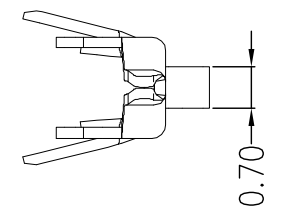
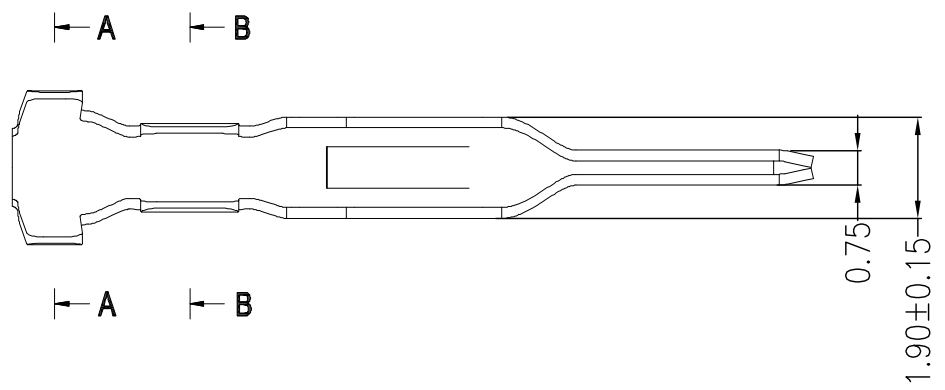


REV	DESCRIPTION	DESIGN	DATE
A0	NEW RELEASE	蒋建银	2016/05/20



Ordering Information & Specification:

Part No	Wire Range	Insulation O. D.	Material	Finish	Qty/Reel
C2507RT	AWG #28~#22	1.0~1.8mm	Phosphor bronze	Sn-plated	
JKUN 温州健坤接插件有限公司 WENZHOU JKUN CONNECTOR CO.,LTD.			TITLE: -		
GENERAL TOLERANCE		USE:	PART NO.:		
X. ±0.50	X. ±5°	CUSTOMER	C2507RT		
X.X ±0.30	X.X ±2°	APPD: 刘振岭	DWG NO.:		
X.XX ±0.20	X.XX ±1°	CHKD: 王亮	JKUN-GCDZ-0088		
UNITS: mm		DR: 蒋建银	SCALE	SHEET	
			1 : 1	1 / 1	