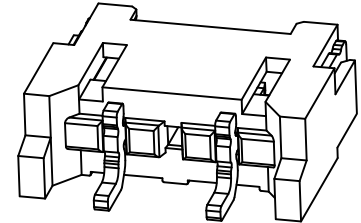
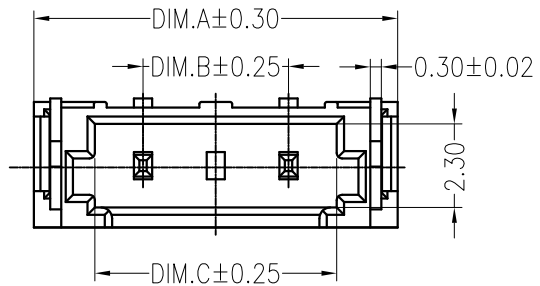


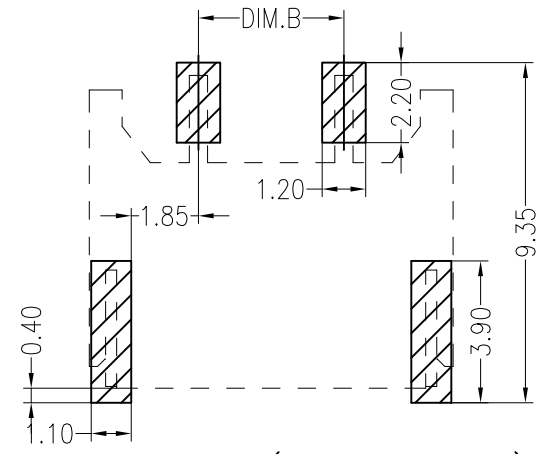
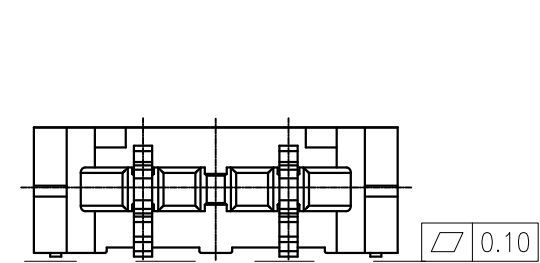
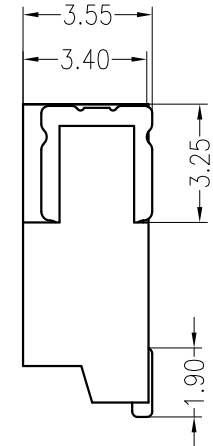
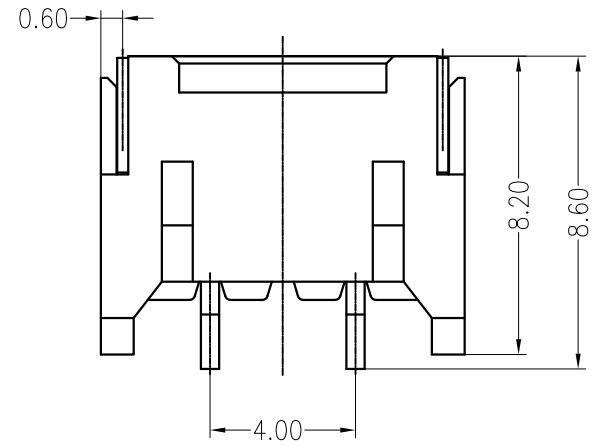
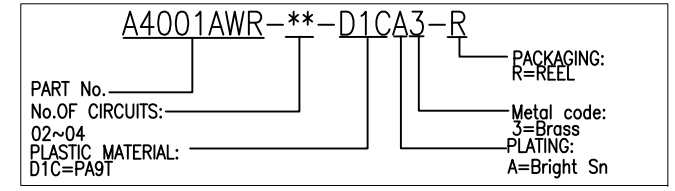
REV	DESCRIPTION	DESIGN	DATE
A0	NEW RELEASE	FangSongLe	2019/06/22



Specifications:

- Poles:02~04P
- Contact resistance:≤10mΩ
- Insulation resistance:≥1000MΩ
- Rated voltage:600V AC DC
- Rated current:1.0A AC DC
- Withstand Voltage: 1800V AC/minute
- Temperature Range:-25℃~ +85℃
- Housing:PA9T UL94V-0,Natural
- Contacts:Brass/Sn-plated
- Solder Tabs:Brass/Sn-plated

ORDER INFORMATION:



PIN	DIM A	DIM B	DIM C
2	10.00	4.00	6.65
3	14.00	8.00	10.65
4	18.00	12.00	14.65

JKUN 温州健坤接插件有限公司 WENZHOU JKUN CONNECTOR CO.,LTD.		TITLE: 4.0 Pitch Wafer 90° SMT	
GENERAL TOLERANCE		USE: CUSTOMER	PART NO.:
X. ±0.50	X. ±5°	APPD: Steven	A4001AWR-**-D1CA3-R
X.X ±0.30	X.X ±2°	CHKD: Liuzhengling	DWG NO.:
X.XX ±0.20	X.XX ±1°	DR: FangSongLe	JKUN-GCCP-0579
UNITS: mm		SCALE 1 : 1	SHEET 1 / 1