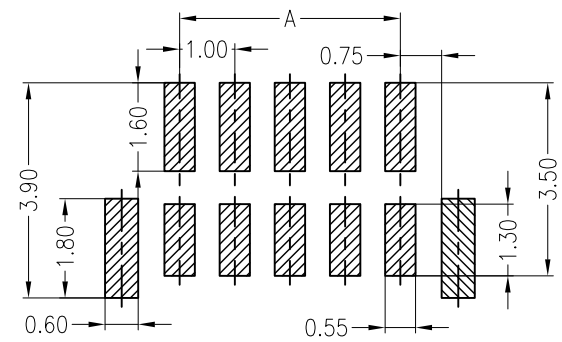
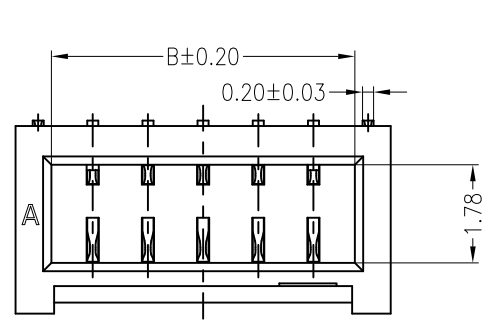
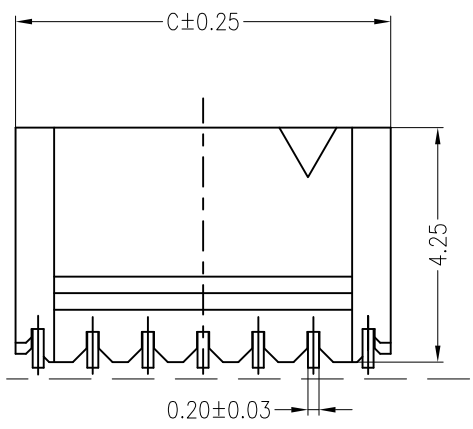


REV	DESCRIPTION	DESIGN	DATE
A0	NEW RELEASE	FangSongLe	2020/08/07

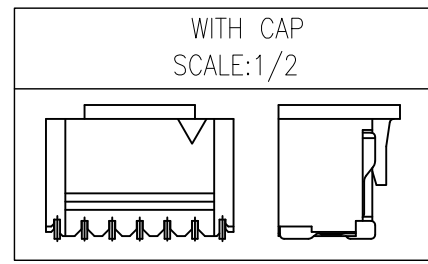
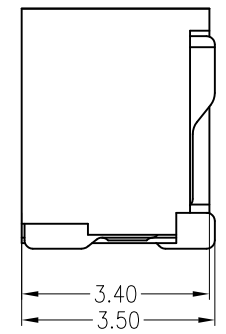


PCB LAYOUT(Tolerance:±0.05)

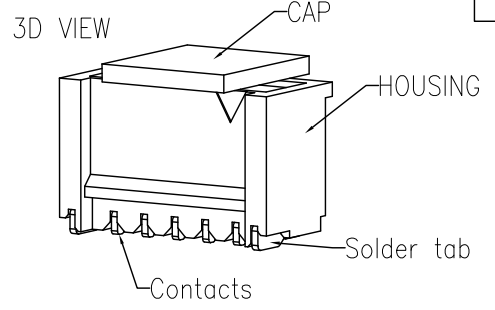
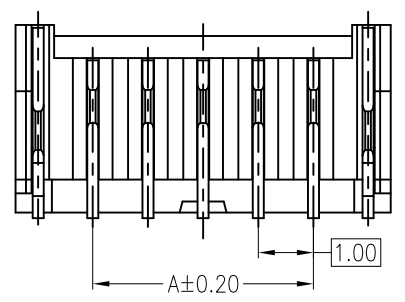
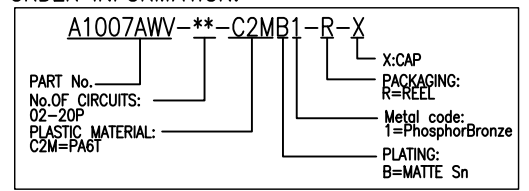
Specifications:
 Poles: 02 to 20
 Contact resistance: ≤20mΩ
 Insulation resistance: ≥100MΩ
 Rated voltage: 125V AC DC
 Rated current: 1.0A AC DC
 Withstand Voltage: 500V AC/minute
 Temperature Range: -25°C ~ +85°C
 Housing: PA6T UL94V-0, Natural
 Cap: PA6T UL94V-0, Natural
 Contacts: PhosphorBronze/Matte Sn-plated
 Solder tabs: PhosphorBronze/Matte Sn-plated



0.10



ORDER INFORMATION:



PIN	DIM A	DIM B	DIM C	PIN	DIM A	DIM B	DIM C
2P	1.00	2.50	3.80	12P	11.00	12.5	13.8
3P	2.00	3.50	4.80	*13P	12.00	13.5	14.8
4P	3.00	4.50	5.80	14P	13.00	14.5	15.8
5P	4.00	5.50	6.80	*15P	14.00	15.5	16.8
6P	5.00	6.50	7.80	*16P	15.00	16.5	17.8
*7P	6.00	7.50	8.80	*17P	16.00	17.5	18.8
8P	7.00	8.50	9.80	*18P	17.00	18.5	19.8
*9P	8.00	9.50	10.8	*19P	18.00	19.5	20.8
10P	9.00	10.50	11.8	*20P	19.00	20.5	21.8
*11P	10.00	11.50	12.8				

JKUN 温州健坤接插件有限公司 WENZHOU JKUN CONNECTOR CO.,LTD.		TITLE: 1.0 Pitch Wafer 180° SMT	
GENERAL TOLERANCE		USE: CUSTOMER	PART NO.:
X. ±0.50	X. ±5°	APPD: Liuzhengling	A1007AWV-**-C2MB1-R-X
X.X ±0.30	X.X ±2°	CHKD: Steven	DWG NO.:
X.XX ±0.20	X.XX ±1°	DR: FangSongLe	JKUN-GCKH-0877
UNITS: mm		SCALE 1 : 1	SHEET 1 / 1