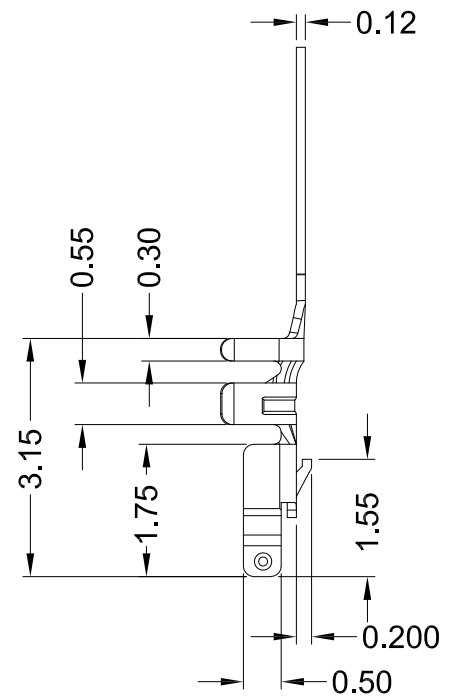
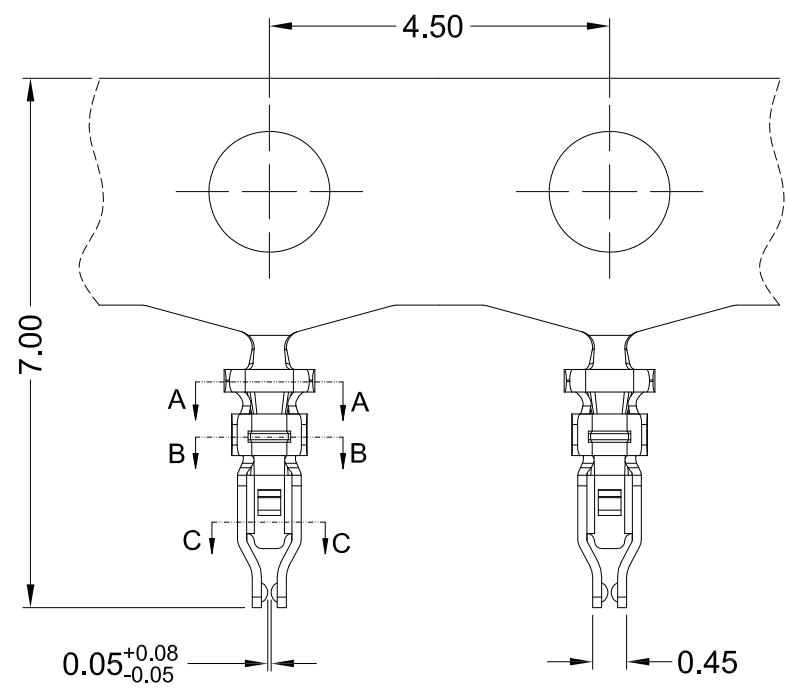
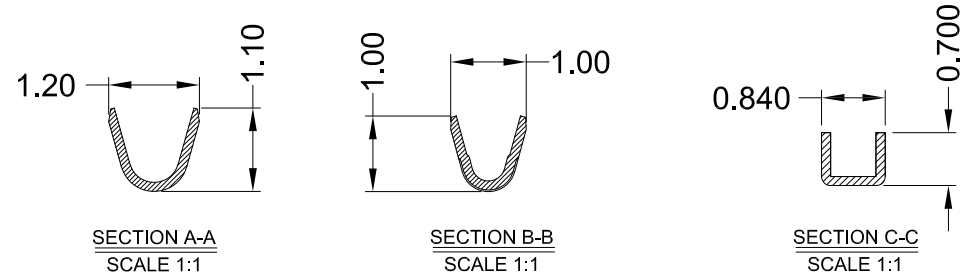


REV	DESCRIPTION	DESIGN	DATE
A	NEW RELEASE	蒋建银	2020/06/25



Specifications:
 Contact resistance: $\leq 20m\Omega$
 Insulation resistance: $\geq 100M\Omega$
 Rated voltage: 50V AC DC
 Rated current: 2.0A AC DC
 Withstand Voltage: 500V AC/minute
 Temperature Range: $-25^{\circ}C \sim +85^{\circ}C$



Ordering Information & Specification:

Part No	Wire Range	Insulation O.D.	Material	Finish	Qty/Reel
A1201T-02端子	AWG #28~#30	0.70mm(MAX)	Phosphor bronze	Gold Flash	/

JKUN 温州健坤接插件有限公司 WENZHOU JKUN CONNECTOR CO.,LTD.			TITLE: 1.2mm Terminal		
GENERAL TOLERANCE		USE:	PART NO.:		
X. ± 0.50	X. $\pm 5^{\circ}$	CUSTOMER	A1201T-02端子		
X.X ± 0.30	X.X $\pm 2^{\circ}$	APPD: 王锋	DWG NO.:		
X.XX ± 0.20	X.XX $\pm 1^{\circ}$	CHKD: 曾令青	JKUN-GCDZ-0092		
UNITS: mm		DR: 蒋建银	SCALE 1 : 1	SHEET 1 / 1	