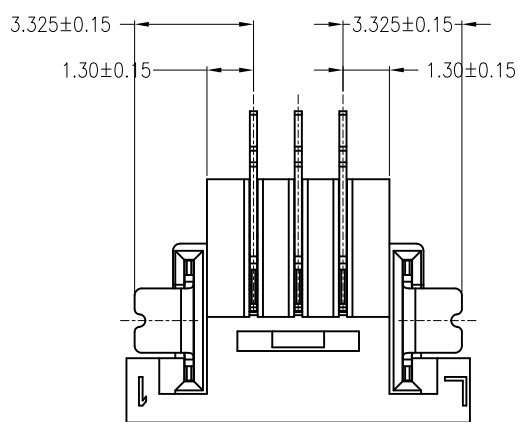
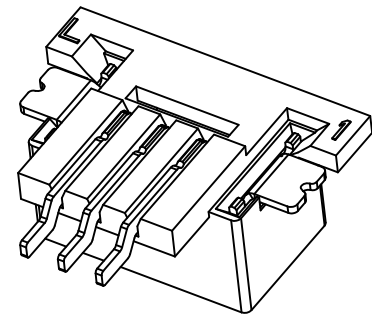
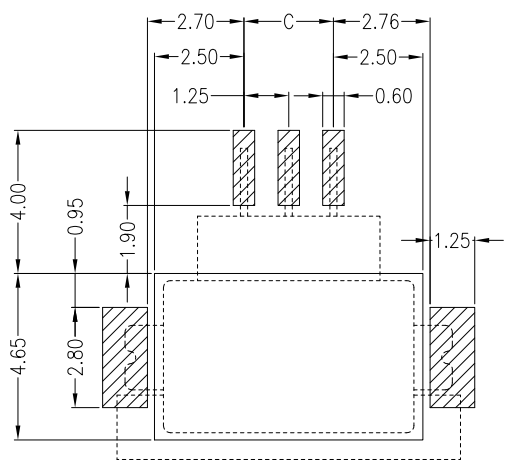
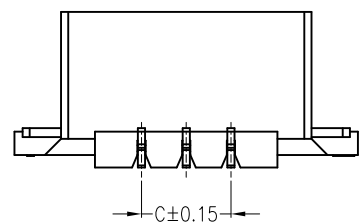
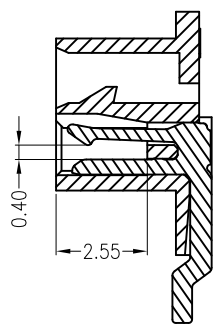
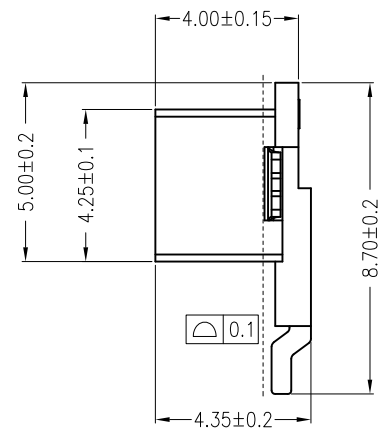
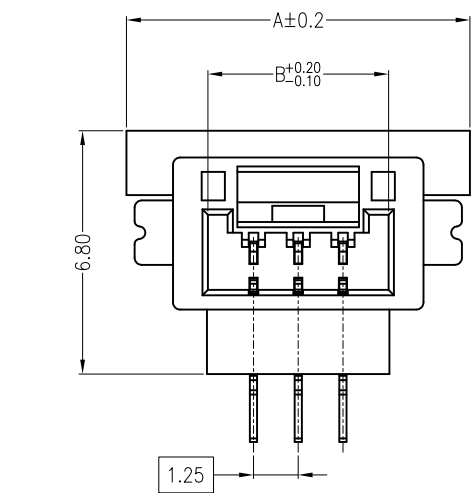


| REV | DESCRIPTION | DESIGN | DATE |
|-----|-------------|----------|------------|
| A0 | NEW RELEASE | Lingqing | 2020/06/06 |

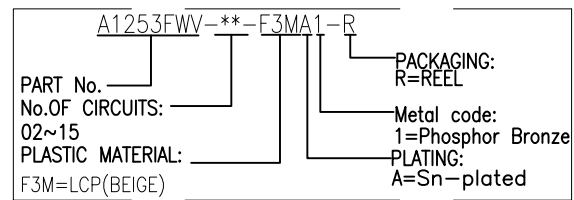
Specifications:
Poles: 02~15
Contact resistance: $\leq 10\text{m}\Omega$
Insulation resistance: $\geq 1000\text{M}\Omega$
Rated voltage: 150V AC DC
Rated current: 1.0A AC DC
Withstand Voltage: 800V AC/minute
Temperature Range: $-40^{\circ}\text{C} \sim +85^{\circ}\text{C}$
Housing: LCP UL94V-0, Natural (Beige)
Contacts: Phosphor Bronze Sn-plated
Solder Tabs: Brass Sn-plated



SUGGESTED PCB LAYOUT

| Circuits | Dimensions (mm) | | |
|----------|-----------------|-------|-------|
| | A | B | C |
| 02 | 8.35 | 3.80 | 1.25 |
| 03 | 9.60 | 5.05 | 2.50 |
| 04 | 10.85 | 6.30 | 3.75 |
| 05 | 12.10 | 7.55 | 5.00 |
| 06 | 13.35 | 8.80 | 6.25 |
| 07 | 14.60 | 10.05 | 7.50 |
| 08 | 15.85 | 11.30 | 8.75 |
| 09 | 17.10 | 12.55 | 10.00 |
| 10 | 18.35 | 13.80 | 11.25 |
| 11 | 19.60 | 15.05 | 12.50 |
| 12 | 20.85 | 16.30 | 13.75 |
| 13 | 22.10 | 17.55 | 15.00 |
| 14 | 23.35 | 18.80 | 16.25 |
| 15 | 24.60 | 20.05 | 17.50 |

ORDER INFORMATION:



| | | | |
|--|----------|--|--------------------|
| JKUN 温州健坤接插件有限公司 WENZHOU JKUN CONNECTOR CO.,LTD. | | TITLE: 1.25mm pitch 180° WAFER-SMT TYPE | |
| GENERAL TOLERANCE | | USE: CUSTOMER | PART NO.: |
| X. ±0.50 | X. ±5° | APPD: Shaojinghe | A1253FW-**-F3MA1-R |
| X.X ±0.30 | X.X ±2° | CHKD: Fangsongle | DWG NO.: |
| X.XX ±0.20 | X.XX ±1° | DR: Zenglingqing | JKUN-GCKH-0874 |
| UNITS: mm | | SCALE 1 : 1 | SHEET 1 / 1 |