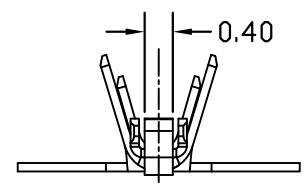
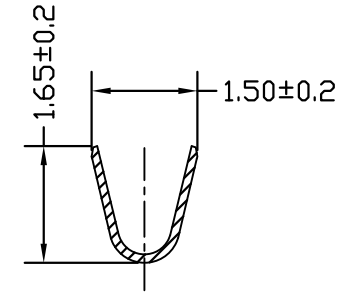
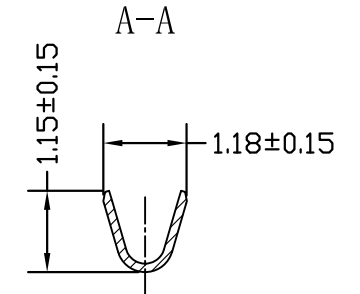
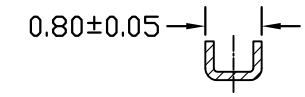
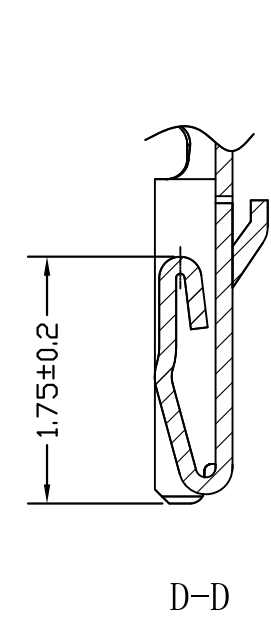
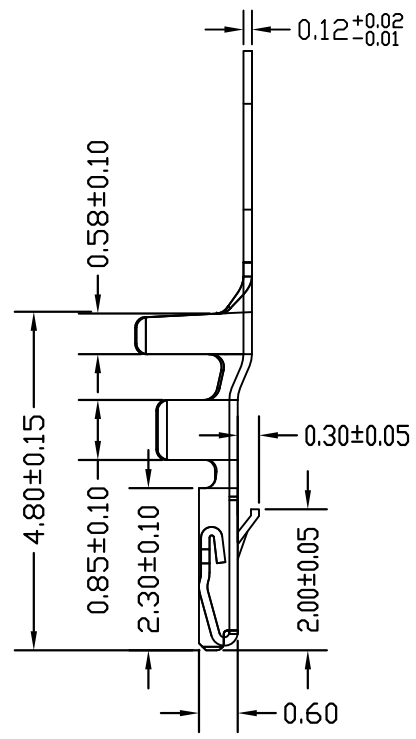
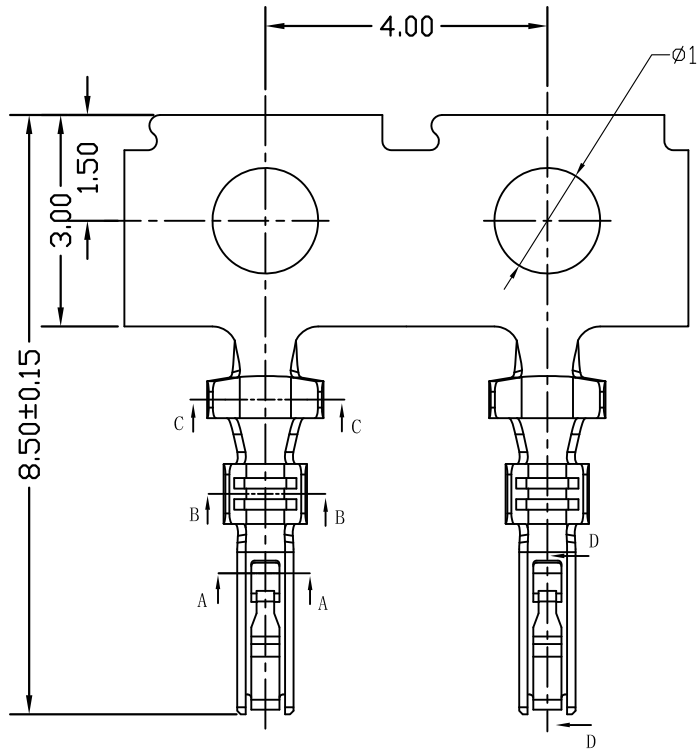


REV	ECN No.	DESCRIPTION	DESIGN	DATE
A0		Release	吴丹平	2016.06.28



ITEM	COMPONENT	Q'TY	MATERIAL	FINISH
C				
B				
A	CONTACT	1 PCS	Phosphor bronze	Sn-plated

Ordering Information & Specification:

Part No	Wire Range	Insulation O.D.	Material	Finish
A1253T-02端子	AWG #26~#30	1.00mm(max)	Phosphor bronze	Tin-plated

JKUN 温州健坤接插件有限公司 WENZHOU JKUN CONNECTOR CO.,LTD.			TITLE: -	
X±0.5	X±5'	USE: CUSTOMER	PART NO.:	
.X±0.3	.X±2'		A1253T-02端子	
.XX±0.25	.XX±1'	APPD: 邵敬和	DWG NO.:	
--	--	CHKD: 田峰	JKUN-GCDZ-0065	
⊕	∇	UNITS: mm	DR: 蒋建银	SCALE: 1:1
			SHEET: 1 / 1	