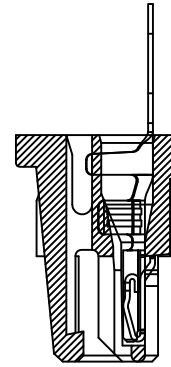
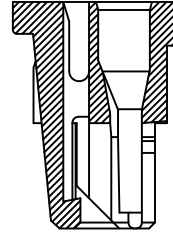
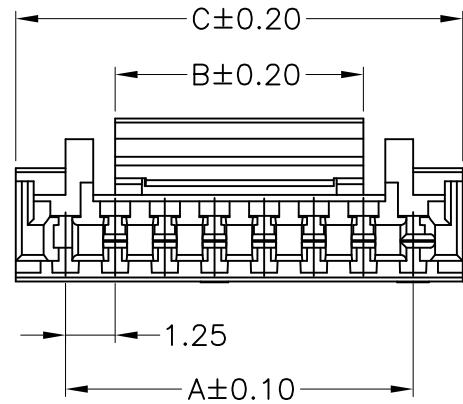
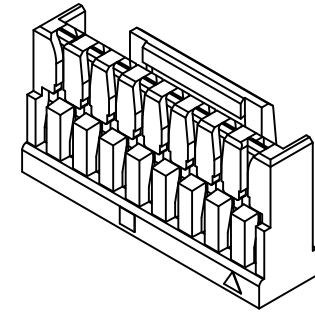


REV	ECN No.	DESCRIPTION	DESIGN	DATE
A	-	NEW RELEASE	吴丹平	2017.10.12



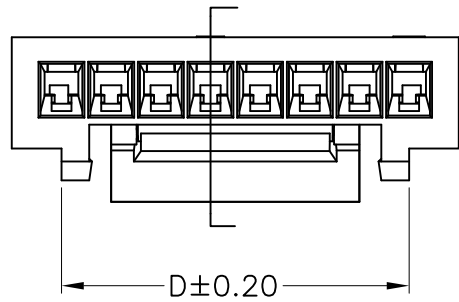
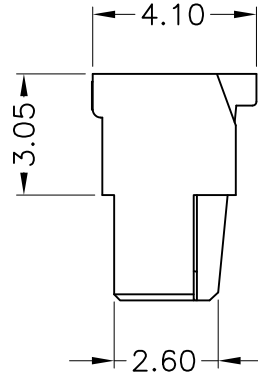
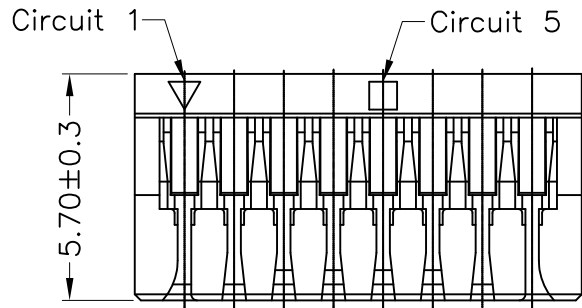
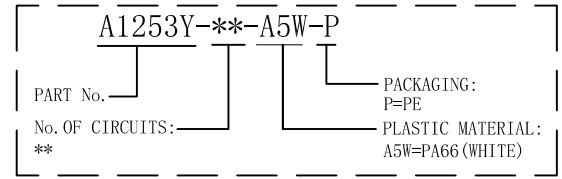
插线状态



主要技术参数 Main Specifications

线 数 (Poles): 02 to 16
 接触电阻 (Contact resistance): $\leq 20m\Omega$
 绝缘电阻 (Insulation resistance): $\geq 100M\Omega$
 额定电压 (Rated voltage): 125 V AC DC
 额定电流 (Rated current): 1.0A AC DC
 耐 电压 (Withstand Voltage): 500V AC/minute
 温度范围 (Temperature Range): $-25^{\circ}C \sim +85^{\circ}C$

ORDER INFORMATION:



Circuits	Dimensions (mm)			
	DIM. A	DIM. B	DIM. C	DIM. D
02	1.25	2.20	3.75	
03	2.50	2.90	5.00	
04	3.75	4.20	6.25	
05	5.00	4.20	7.50	
06	6.25	6.25	8.75	
07	7.50	6.25	10.00	
08	8.75	6.25	11.25	8.75
09	10.00	6.25	12.50	10.00
10	11.25	8.20	13.75	11.25
11	12.50	8.20	15.00	12.50
12	13.75	8.20	16.25	13.75
13	15.00	8.20	17.50	15.00
14	16.25	8.20	18.75	16.25
15	17.50	8.20	20.00	17.50

ITEM	COMPONENT	Q'TY	MATERIAL	FINISH
C				
B				
A	HOUSING	2~16 PCS	PA66	COLOR:WHITE
JKUN 温州健坤接插件有限公司 WENZHOU JKUN CONNECTOR CO.,LTD.				TITLE: A1253Y 1.25mmPITCH Housing
.X±0.35	X.±	USE:	CUSTOMER	
.XX±0.25	.X±	APPD:	邵敬和	
.XXX±0.15	.XX±	CHKD:	田峰	
--	--	DR:	吴丹平	
UNITS: mm				SCALE: 1 : 1
				SHEET: 1 / 1