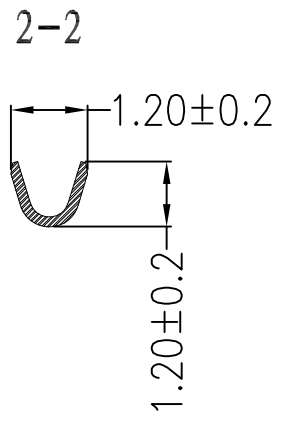
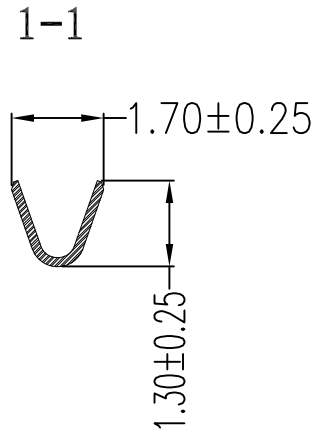
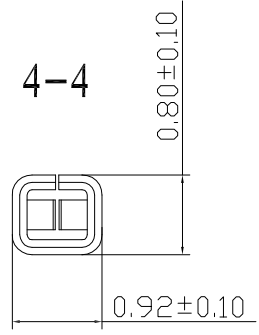
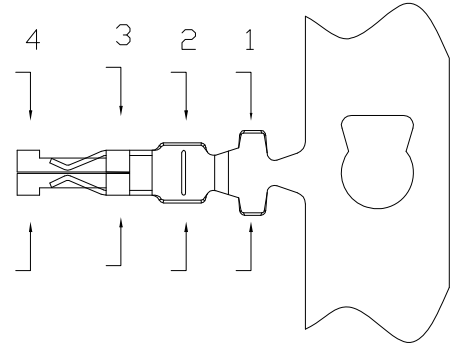
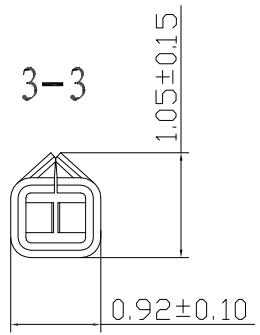
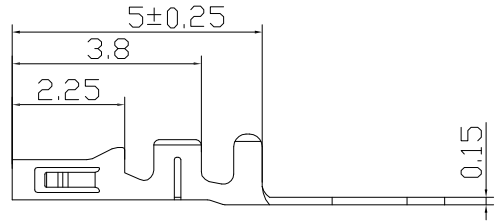


REV	ECN No.	DESCRIPTION	DESIGN	DATE
A0		Release	蒋建银	2018.06.05



### 主要技术参数 Main Specifications

适用线规 (Applicable wire gauge): AWG28#~32#  
 接触电阻 (Contact resistance):  $\leq 20m\Omega$   
 绝缘电阻 (Insulation resistance):  $\geq 500M\Omega$   
 额定电压 (Rated voltage): 150V AC DC  
 额定电流 (Rated current): 1.0A AC DC  
 耐电压 (Withstand Voltage): 500V AC/minute  
 温度范围 (Temperature Range):  $-25^{\circ}C \sim +85^{\circ}C$

C					
B					
A	HOUSING		1 PCS	Phosphor bronze	TIN Plated
ITEM	COMPONENT		Q'TY	MATERIAL	FINISH
<b>JKUN 温州健坤接插件有限公司</b> WENZHOU JKUN CONNECTOR CO.,LTD.					TITLE: DF16-T端子 -
X.±0.5	X.±5'	USE:		PART NO.:	
.X±0.3	.X±2'	CUSTOMER		A1255T-PA	
.XX±0.25	.XX±1'	APPD: 邵敬和		DWG NO.:	
--	--	CHKD: 田峰		-	
⊕	∠	UNITS: mm	DR: 蒋建银	SCALE	SHEET
				1 : 1	1 / 1