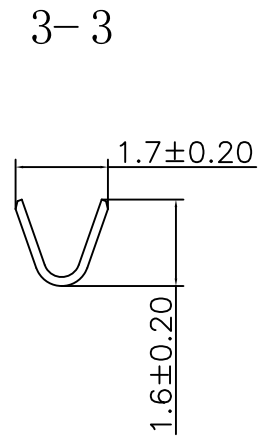
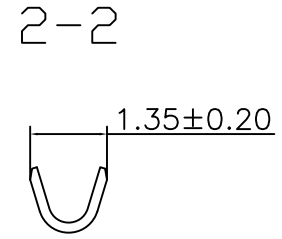
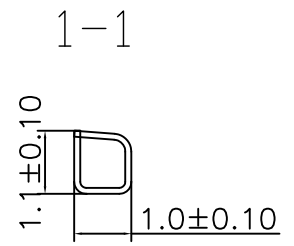
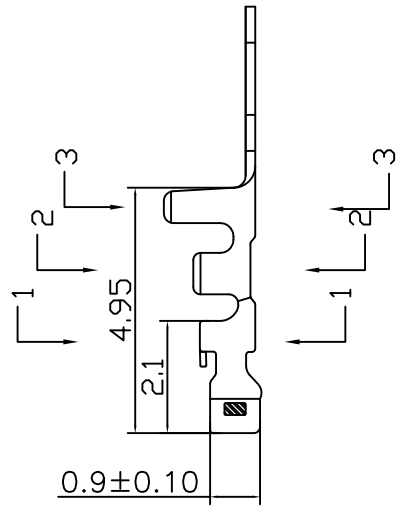
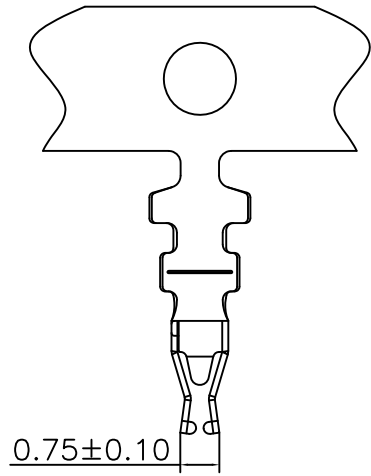


REV	DESCRIPTION	DESIGN	DATE
A0	NEW RELEASE	蒋建银	2020/12/16



Ordering Information & Specification:

Part No	Wire Range	Insulation O.D.	Material	Finish	Qty/Reel
A1259T-03端子	AWG #28~#32	0.80mm(max)	Phosphor bronze	Sn-plated	

JKUN 温州健坤接插件有限公司 WENZHOU JKUN CONNECTOR CO.,LTD.		TITLE: 1.25mm Terminal	
GENERAL TOLERANCE		USE: CUSTOMER	PART NO.:
X. ±0.50	X. ±5°	APPD: 邵敬和	A1259T-03端子
X.X ±0.30	X.X ±2°		DWG NO.:
X.XX ±0.20	X.XX ±1°	CHKD: 曾令青	-
UNITS: mm		DR: 蒋建银	SCALE 1 : 1
			SHEET 1 / 1