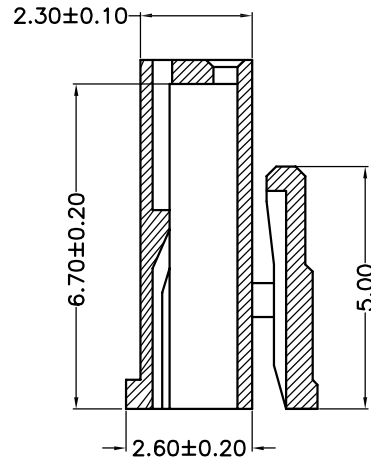
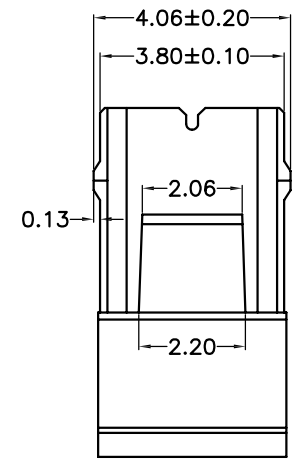
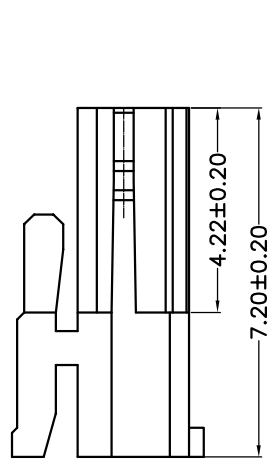


REV	ECN No.	DESCRIPTION	DESIGN	DATE
A0		Release	蒋建银	2017.06.21

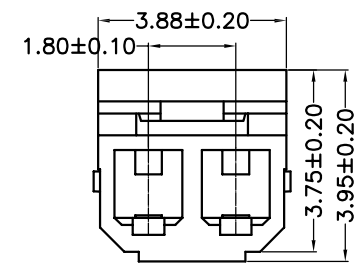
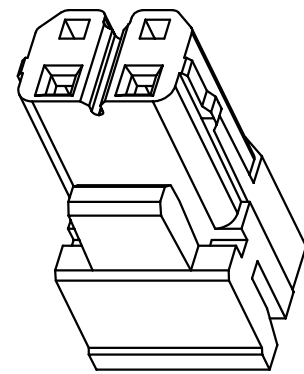


主要技术参数 Main Specifications

线 数 (Poles): 02 to 16
 接触电阻 (Contact resistance): $\leq 20m\Omega$
 绝缘电阻 (Insulation resistance): $\geq 1000M\Omega$
 额定电压 (Rated voltage): 250V AC DC
 额定电流 (Rated current): 2.0A AC DC
 耐 电 压 (Withstand Voltage): 800V AC/minute
 温度范围 (Temperature Range): $-25^{\circ}C \sim +105^{\circ}C$

ORDER INFORMATION:

A1802Y-02-A5W-P			
PART No.		PACKAGING:	P=PE
No. OF CIRCUITS:	02	PLASTIC MATERIAL:	A5W=PA66 (WHITE)



ITEM	COMPONENT	Q'TY	MATERIAL	FINISH
A	PEDESTAL	1 PCS	PA66	COLOR:WHITE

JKUN 温州健坤接插件有限公司 WENZHOU JKUN CONNECTOR CO., LTD.			TITLE: 1.8mmPITCH Housing	
X.±0.5	X.±5'	USE: CUSTOMER APPD: 邵敬和 CHKD: 田 峰	PART NO.: A1802Y-02-A5W-P	
.X±0.3	.X±2'		DWG NO.: JKUN/GCCP-0809	
.XX±0.25	.XX±1'	DR: 蒋建银	SCALE 1 : 1	SHEET 1 / 1
--	--			

A B C D E F

1
2
3
4
5

1
2
3
4