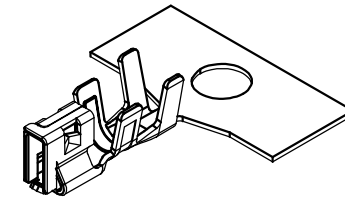
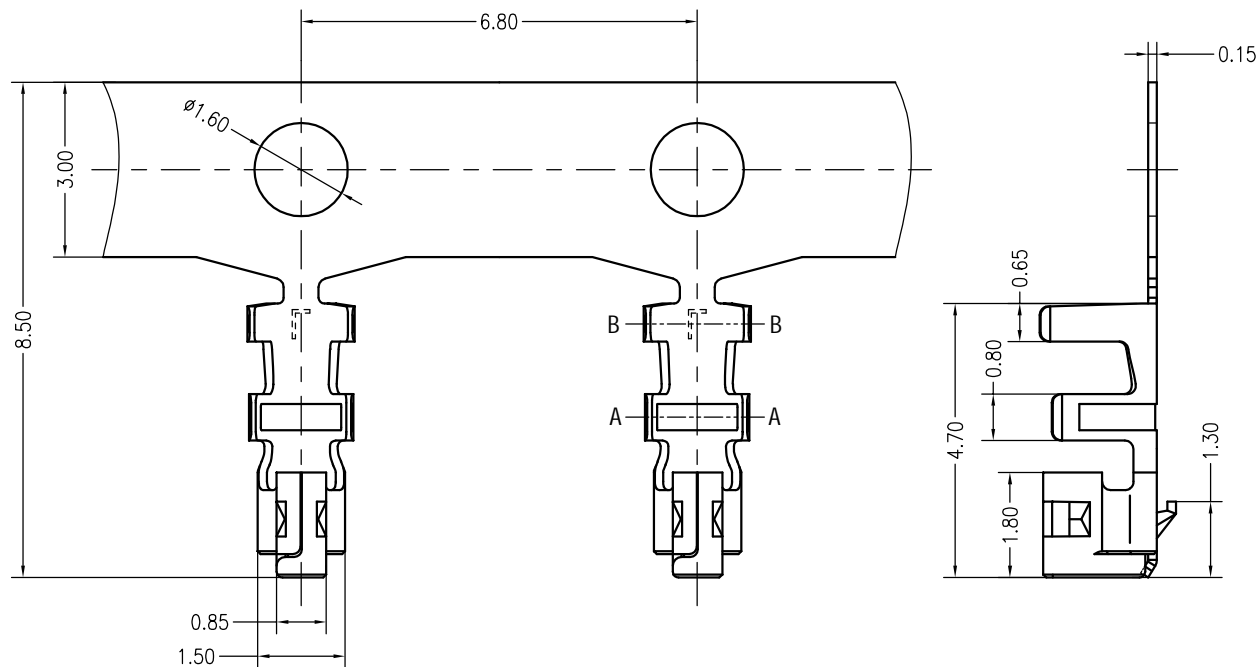


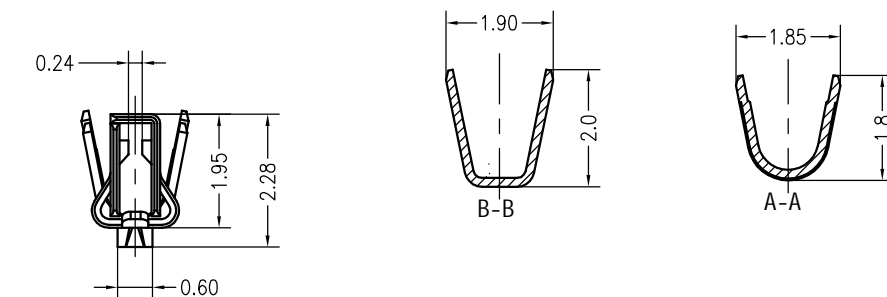
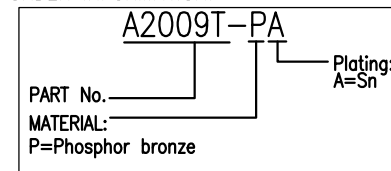
REV	ECN No.	DESCRIPTION	DESIGN	DATE
A0		NEW Release	方松乐	2019.05.13



**NOTES:**

1. Material: Phosphor bronze C5191R-H, T=0.15mm
2. Plating: Sn 100-200u"
3. The surface of terminal should be smooth and smooth without burr and crack
- 4 Wire Range :AWG #22-#26
- 5 Insulation Range:  $\phi 1.4$  Max

**ORDER INFORMATION:**



<b>JKUN</b> 温州健坤接插件有限公司 WENZHOU JKUN CONNECTOR CO., LTD.			TITLE: A2009T 2.0mmPITCH terminal	
X.±0.5	X.±5'	USE: CUSTOMER	PART NO.: A2009T-PA	
.X±0.3	.X±2'	APPD: 邵敬和	DWG NO.: JKUN-GCDZ-0085	
.XX±0.25	.XX±1'	CHKD: 曾令青	SCALE: 1 : 1	
UNITS: mm		DR: 方松乐	SHEET: 1 / 1	