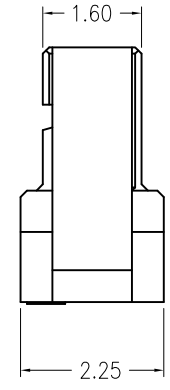
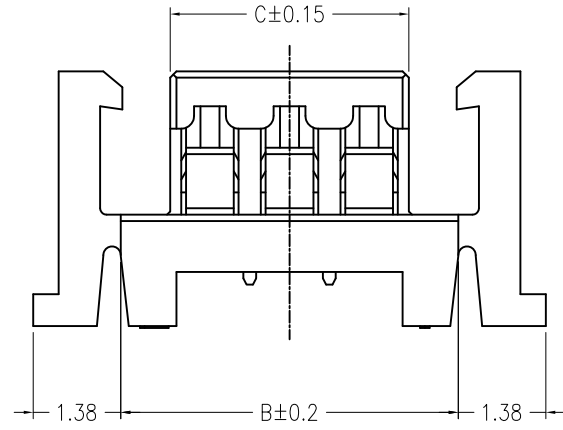


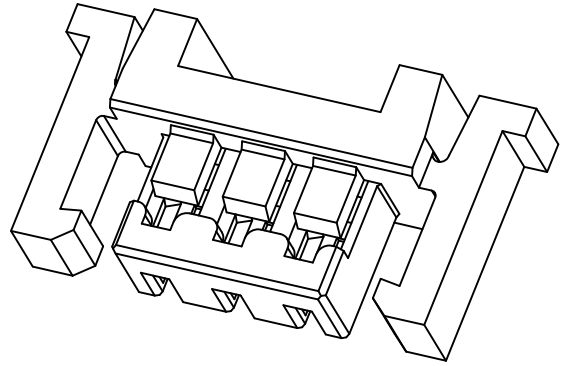
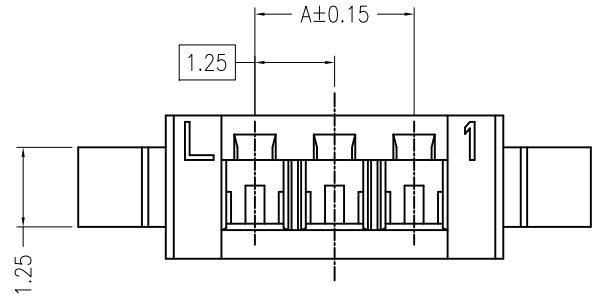
REV	DESCRIPTION	DESIGN	DATE
A	NEW RELEASE	Lingqing	2021/07/16



Specifications:

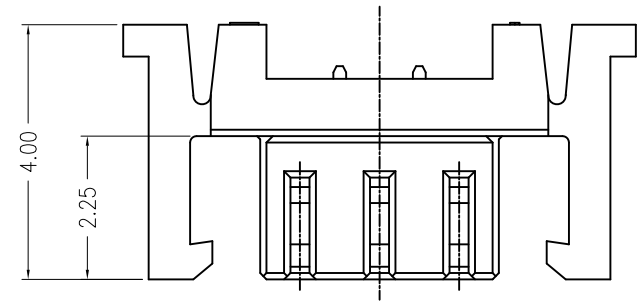
Contact resistance:  $\leq 20m\Omega$   
 Insulation resistance:  $\geq 1000M\Omega$   
 Rated voltage: 150V AC DC  
 Rated current: 1.0A AC DC  
 Withstand Voltage: 800V AC/minute  
 Temperature Range:  $-25^{\circ}C \sim +85^{\circ}C$   
 Housing: PA66 UL94V-0, WHITE

PIN.	A	B	C
2pin	1.25	4.05	2.50
3pin	2.50	5.30	3.75
4pin	3.75	6.55	5.00
5pin	5.00	7.80	6.25
6pin	6.25	9.05	7.50
7pin	7.50	10.30	8.75
8pin	8.75	11.55	10.00
9pin	10.00	12.80	11.25
10pin	11.25	14.05	12.50



ORDER INFORMATION:

**A12511Y-\*\*-A7W-P**  
 PART No. \_\_\_\_\_  
 No.OF CIRCUITS: \_\_\_\_\_  
 02~10  
 PLASTIC MATERIAL: \_\_\_\_\_  
 A7W=PA66(WHITE)  
 PACKAGING: P=PE



<b>JKUN</b> 温州健坤接插件有限公司 WENZHOU JKUN CONNECTOR CO.,LTD.		TITLE: 1.25mm PITCH Housing	
GENERAL TOLERANCE		USE: CUSTOMER	PART NO.:
X. $\pm 0.50$	X. $\pm 5^{\circ}$	APPD: WangFeng	A12511Y-**-A7W-P
X.X $\pm 0.30$	X.X $\pm 2^{\circ}$	CHKD: Shaojinghe	DWG NO.:
X.XX $\pm 0.20$	X.XX $\pm 1^{\circ}$	DR: Zenglingqing	JKUN-GCKH-0954
UNITS: mm		SCALE 1 : 1	SHEET 1 / 1