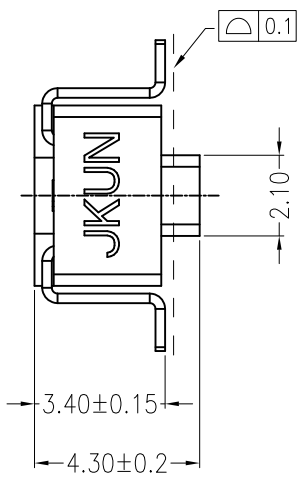
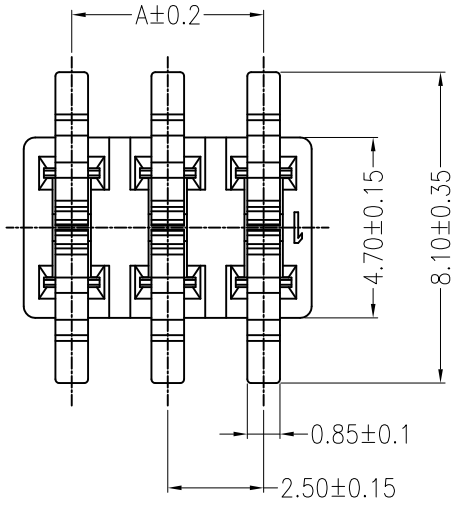
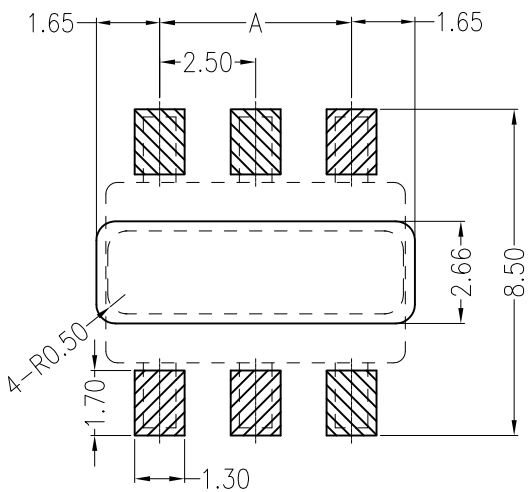
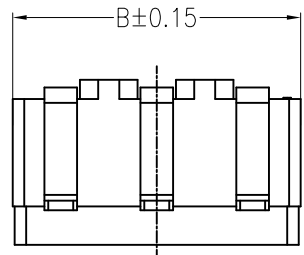


A | B | C | D | E | F

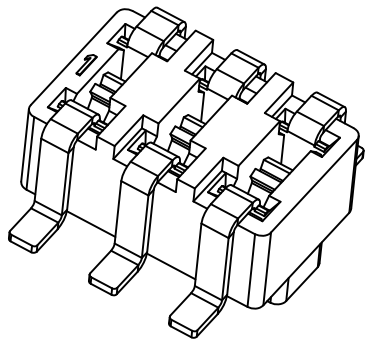
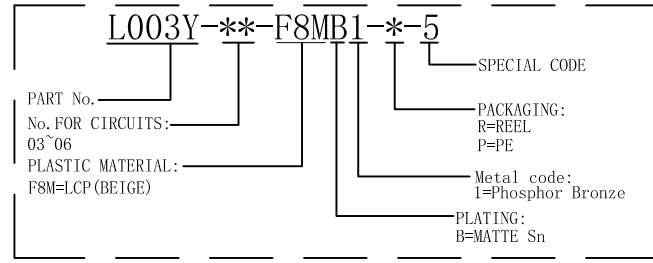
REV	DESCRIPTION	DESIGN	DATE
A0	NEW RELEASE	Lingqing	2020/04/25



Specifications:
 Contact resistance: ≤20mΩ
 Insulation resistance: ≥1000MΩ
 Rated voltage: 250V AC DC
 Rated current: 1.0A AC DC
 Withstand Voltage: 1000V AC/minute
 Temperature Range: -40°C ~ +120°C
 Housing: LCP UL94V-0, Natural
 Contacts: Phosphor Bronze / Matte Sn-plated



ORDER INFORMATION:



PIN	DIM A	DIM B
3	5.00	7.50
4	7.50	10.00
5	10.0	12.50
6	12.50	15.00

JKUN 温州健坤接插件有限公司 WENZHOU JKUN CONNECTOR CO.,LTD.		TITLE: 2.5mmPITCH 180°WAFER SMT TYPE	
GENERAL TOLERANCE		USE: CUSTOMER	PART NO.:
X. ±0.50	X. ±5'	APPD: WangLiang	L003Y-**-F8MB1-*-5
X.X ±0.30	X.X ±2'	CHKD: Steven	DWG NO.:
X.XX ±0.20	X.XX ±1'	DR: Zenglingqing	JKUN-GCKH-2078
⊕	UNITS: mm	SCALE: 1 : 1	SHEET: 1 / 1

A | B | C | D | E | F