

A

B

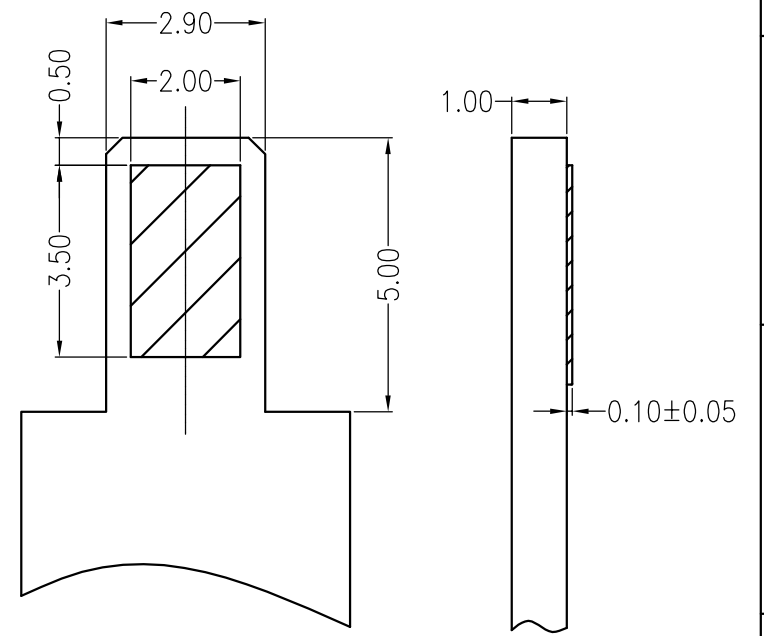
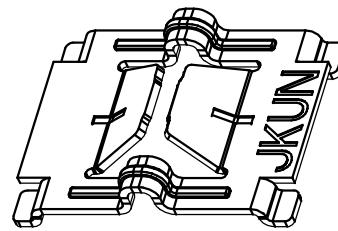
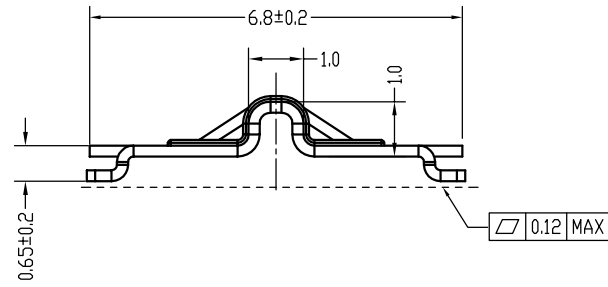
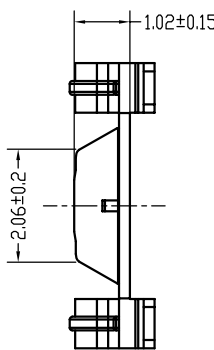
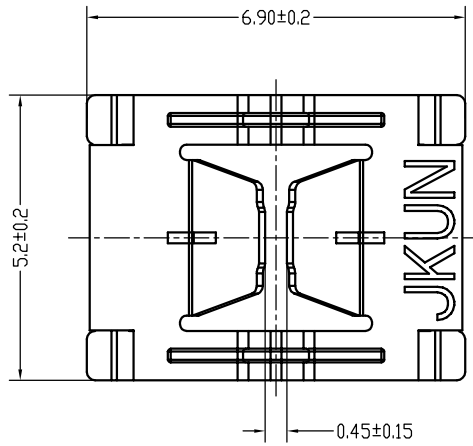
C

D

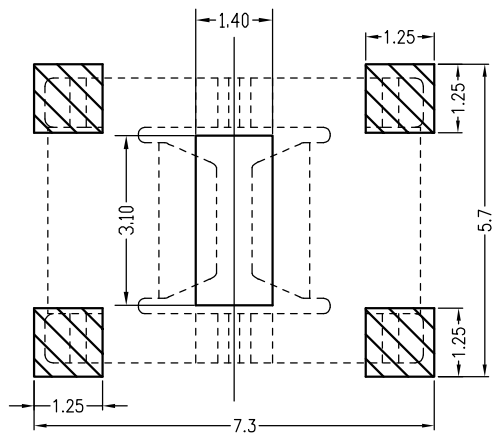
E

F

REV	ECN No.	DESCRIPTION	DESIGN	DATE
A0		Release	吴丹平	2017.06.14



Mating PCB detail

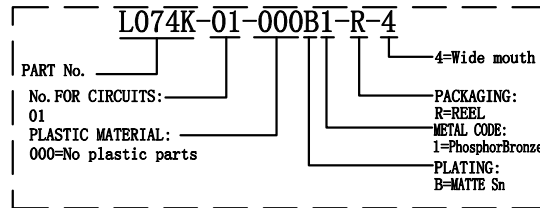


Board Layout

主要技术参数 Main Specifications

- 板厚 (thickness): 1.0mm
- 接触电阻 (Contact resistance): ≤20mΩ
- 额定电压 (Rated voltage): 250 V AC DC
- 额定电流 (Rated current): 1.0A AC
- 温度范围 (Temperature Range): -45°C ~ +125°C

ORDER INFORMATION:



ITEM	COMPONENT	Q'TY	MATERIAL	FINISH
A	CONTACT	1 PCS	PhosphorBronze	MATTE Sn-plated

JKUN 温州健坤接插件有限公司 WENZHOU JKUN CONNECTOR CO., LTD.			TITLE: -	
X.±0.5	X.±5'	USE: CUSTOMER	PART NO.: L074K-01-000B1-R-4	
X.±0.3	X.±2'			
.XX±0.25	.XX±1'	CHKD: 田峰	DWG NO.: JKUN-GCCP-1269	
UNITS: mm		DR: 蒋建银	SCALE 1 : 1	SHEET 1 / 1

1

2

3

4

5

1

2

3

4