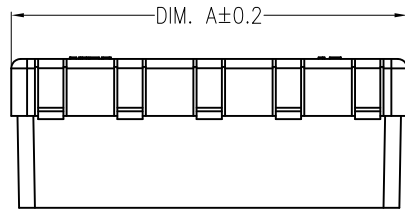
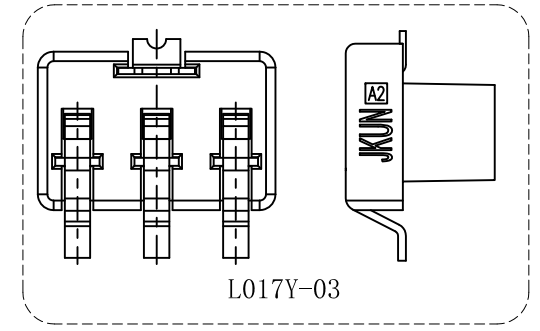
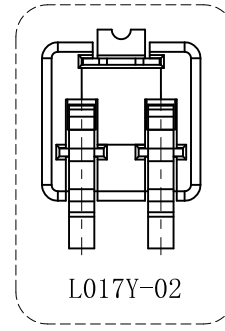
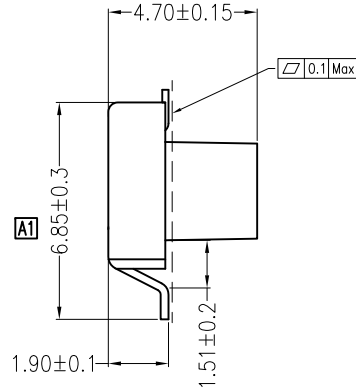
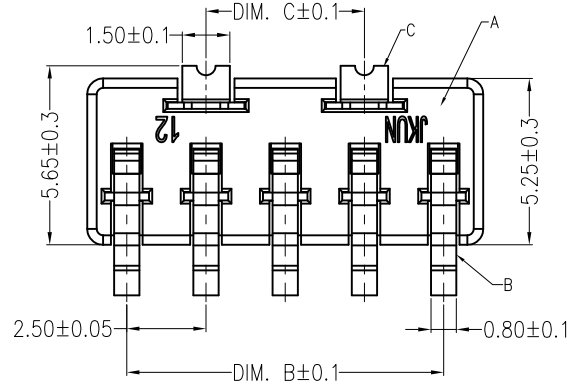
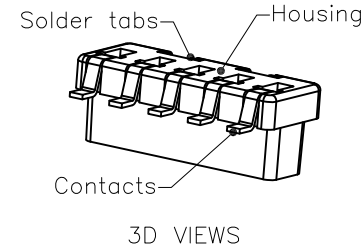


REV	DESCRIPTION	DESIGN	DATE
A0	NEW RELEASE	Wudanping	2016/04/30
A1	Change the size	Jiangjianyin	2018/05/25
A2	Change the position of 3 holes LOGO	Fangsongle	2020/07/08

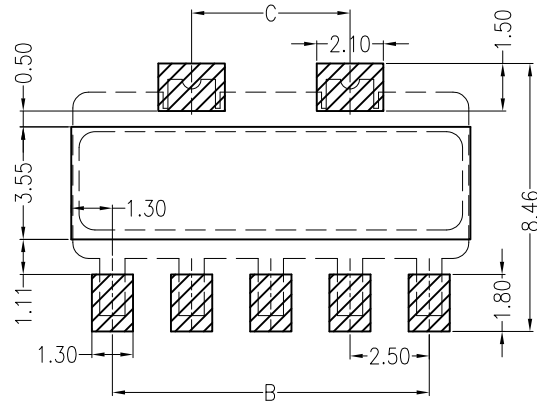


Circuit	Dimensions (mm)		
	DIM. A	DIM. B	DIM. C
L017Y-02	5.00	2.50	
L017Y-03	7.50	5.00	
L017Y-04	10.00	7.50	5.00
L017Y-05	12.50	10.00	5.00
L017Y-06	15.00	12.50	5.00

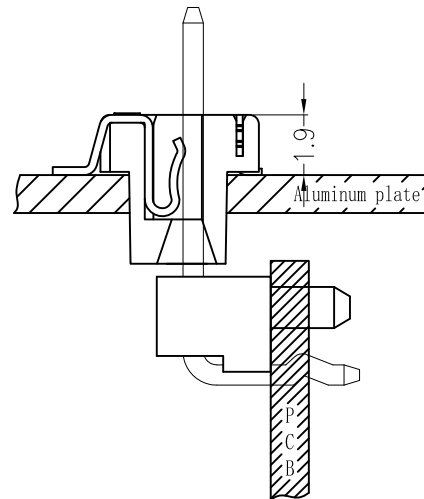


Specifications:

- Contact resistance: $\leq 20m\Omega$
- Insulation resistance: $\geq 1000M\Omega$
- Rated voltage: 125V AC DC
- Rated current: 1.0A AC DC
- Withstand voltage: 1000V AC/minute
- Temperature range: $-40^{\circ}C \sim +130^{\circ}C$
- Housing: LCP UL94V-0, Natural
- Contacts: Phosphor bronze/Matte Sn
- Solder tabs: Phosphor bronze/Matte Sn

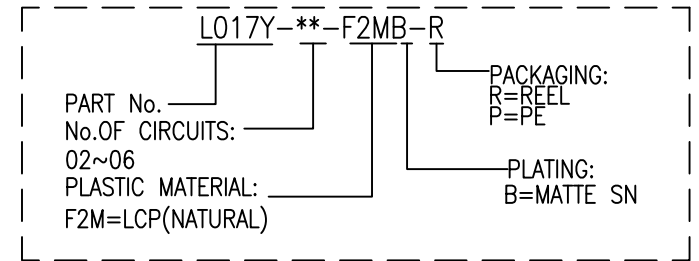


SUGGESTED PCB LAYOUT



Assembly Layout

ORDER INFORMATION:



JKUN 温州健坤接插件有限公司 WENZHOU JKUN CONNECTOR CO.,LTD.		TITLE: 2.5mmPITCH 180°WAFER SMT TYPE	
GENERAL TOLERANCE		USE:	PART NO.:
X. ± 0.50	X. $\pm 5^{\circ}$	CUSTOMER	L017Y-**-F2MB-R
X.X ± 0.30	X.X $\pm 2^{\circ}$	APPD: Shaojinghe	DWG NO.:
X.XX ± 0.20	X.XX $\pm 1^{\circ}$	CHKD: Zenglingqing	JKUN/GCKH-0034
UNITS: mm		DR: Jiangjianyin	SCALE
			1 : 1
			SHEET
			1 / 1