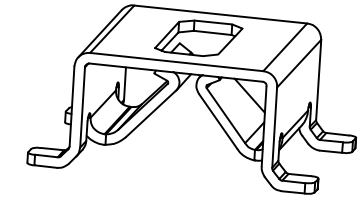
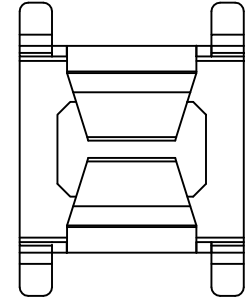
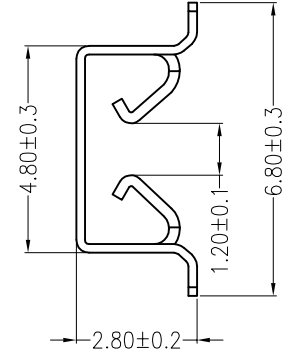
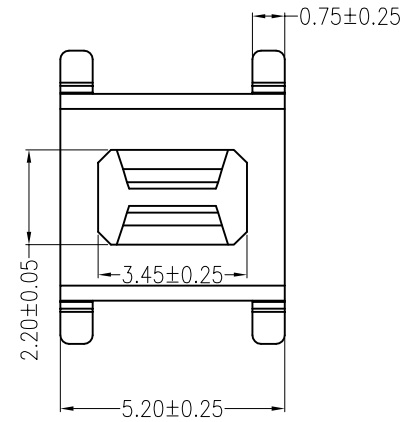


| REV | ECN No. | DESCRIPTION | DESIGN | DATE       |
|-----|---------|-------------|--------|------------|
| A0  |         | Release     | 李润     | 2016.04.19 |



**主要技术参数 Main Specifications**

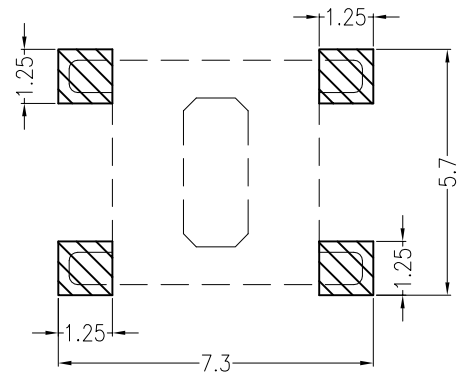
板 厚 (thickness): 1.6mm  
 接触电阻 (Contact resistance):  $\leq 20m\Omega$   
 绝缘电阻 (Insulation resistance):  
 额定电压 (Rated voltage): 250 V AC DC  
 额定电流 (Rated current): 1.0A AC DC  
 耐 电 压 (Withstand Voltage):  
 温度范围 (Temperature Range):

**ORDER INFORMATION:**

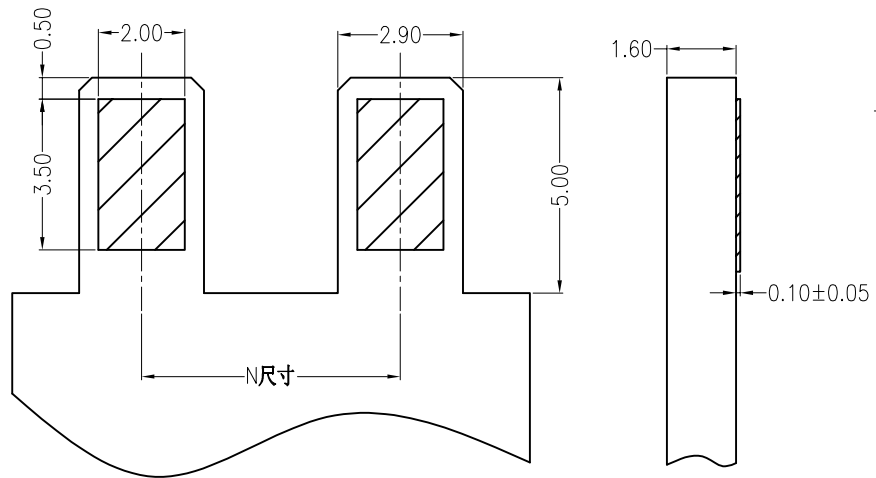
**L031-1.6-01-T2CB-R**

PART No. \_\_\_\_\_  
 No. FOR PCB: \_\_\_\_\_  
 1.6mm  
 No. FOR CIRCUITS: \_\_\_\_\_

PACKAGING:  
 R=REEL  
 P=PE  
 PLATING:  
 B=MATTE Sn  
 PLASTIC MATERIAL:  
 T2C=PBR (BEIGE)



**Board Layout**



**Mating PCB detail**

| ITEM  | COMPONENT | Q'TY      | MATERIAL           | FINISH          |
|---|-----------|-----------|--------------------|-----------------|
| C   |           |           |                    |                 |
| B   |           |           |                    |                 |
| A   | CONTACT   | 1 PCS     | PHOSPHORBRONZE     | MATTE Sn-plated |
| <b>JKUN 温州健坤接插件有限公司</b><br>WENZHOU JKUN CONNECTOR CO., LTD. |           |           |                    | TITLE: -<br>-   |
| X.±0.5  | X.±5'     | USE:      | PART NO.:          |                 |
| .X±0.3  | .X±2'     | CUSTOMER  | L031-1.6-01-T2CB-R |                 |
| .XX±0.25  | .XX±1'    | APPD: 邵敬和 | DWG NO.:           |                 |
| --  | --        | CHKD: 田峰  | JKUN-GCCP-0229     |                 |
| ⊕   | UNITS: mm | DR: 吴丹平   | SCALE              | SHEET           |
|   |           |           | 1 : 1              | 1 / 1           |