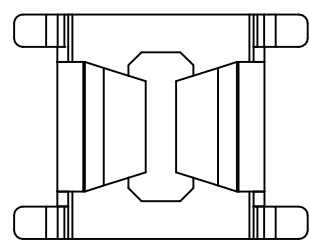
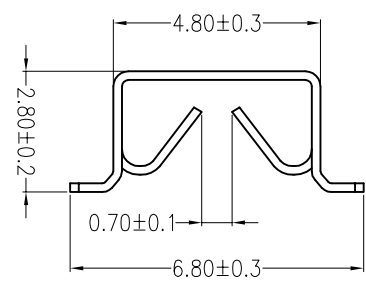
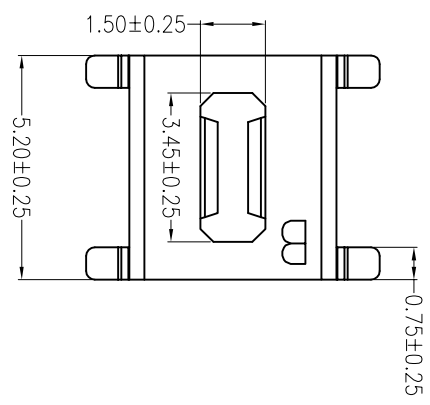
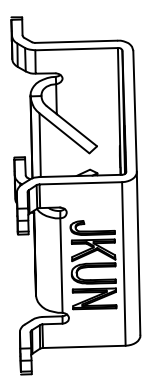


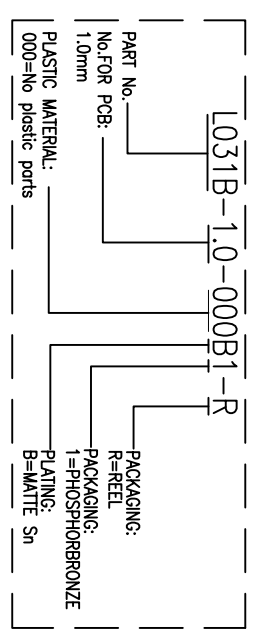
REV	ECN No.	DESCRIPTION	DESIGN	DATE
A0		Release	吴丹平	2017.08.12



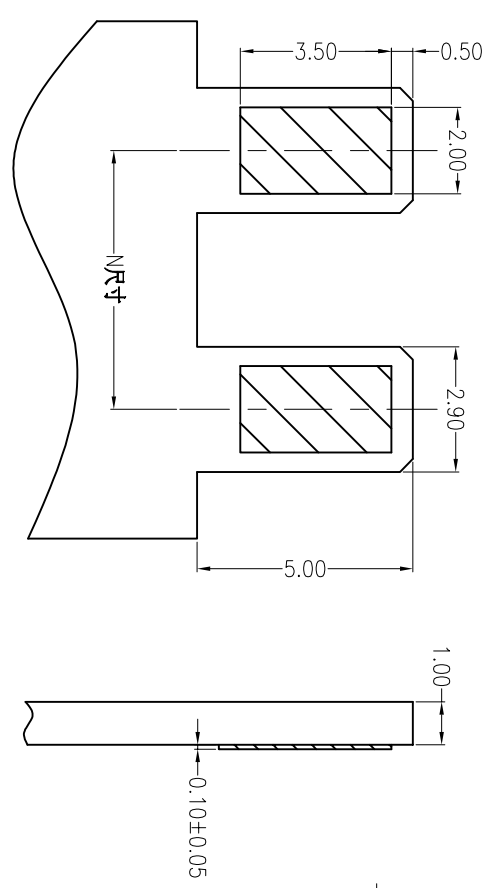
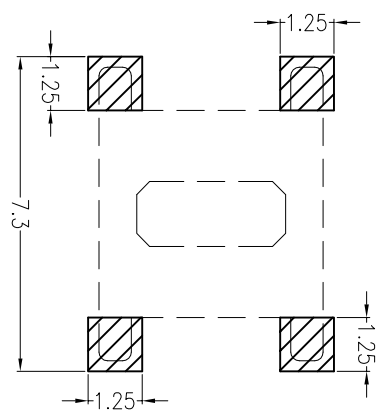
主要技术参数 Main Specifications

板厚 (thickness) : 1.0mm
 接触电阻 (Contact resistance) : $\leq 20m\Omega$
 额定电压 (Rated voltage) : 250 V AC DC
 额定电流 (Rated current) : 1.0A AC DC
 温度范围 (Temperature Range) : $-45^{\circ}C \sim +125^{\circ}C$

ORDER INFORMATION:



Board Layout



Mating PCB detail

ITEM	COMPONENT	QTY	MATERIAL	FINISH
A	CONTACT	1 PCS	PHOSPHORBRONZE	MATTE Sn-plated

JKUN 温州健坤连接器有限公司 WENZHOU JKUN CONNECTOR CO., LTD.		TITLE: -	
X:±0.5	X:±5°	USE: CUSTOMER	PART NO.: L031B-1.0-000B1-R
X:±0.3	X:±2°	APPD: 邵敬和	DWG NO.: JKUN-GCCP-1022
.XX±0.25	.XX±1°	CHKD: 田峰	SCALE 1:1
---	---	DR: 吴丹平	SHEET 1/1