

A

B

C

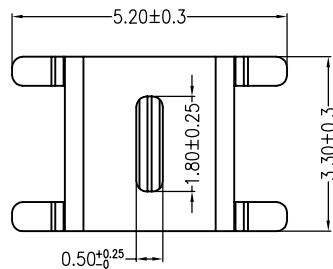
D

E

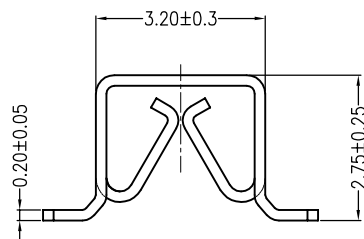
F

REV	ECN No.	DESCRIPTION	DESIGN	DATE
A	-	NEW RELEASE	李润	2015.03.10

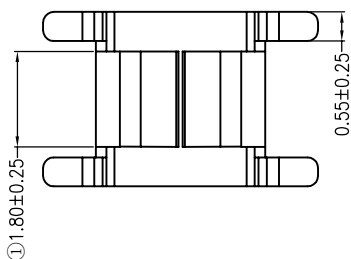
1



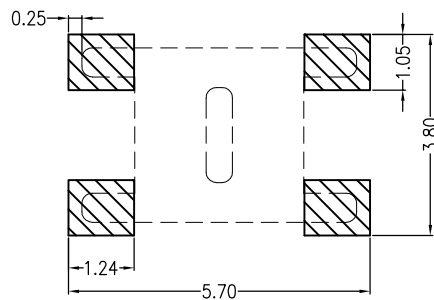
2



3



4



Board Layout

A

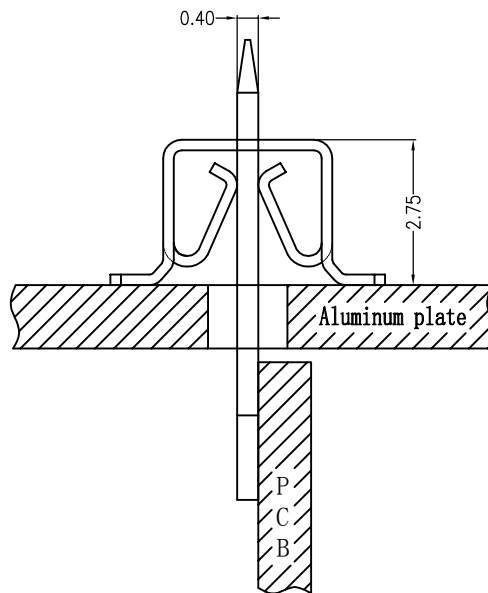
B

C

D

E

F



Assembly Layout

主要技术参数 Main Specifications

线数 (Poles): 01
 接触电阻 (Contact resistance): $\leq 20\text{m}\Omega$
 绝缘电阻 (Insulation resistance): $\geq 800\text{M}\Omega$
 额定电压 (Rated voltage): 250 V AC DC
 额定电流 (Rated current): 1.0A AC DC
 耐电压 (Withstand Voltage): 1500V AC/minute
 温度范围 (Temperature Range): $-45^{\circ}\text{C} \sim +125^{\circ}\text{C}$

ORDER INFORMATION:

L032-01-T2CB-R

PART No. _____
 No. FOR CIRCUITS: _____
 01
 PLASTIC MATERIAL: _____
 T2C=PBR (BEIGE)

PACKAGING:
 R=REEL
 P=PE
 PLATING:
 B=MATTE Sn

1

2

3

4

5

C				
B				
A	CONTACT	1 PCS	Brass	Ni-plated
ITEM	COMPONENT	Q'TY	MATERIAL	FINISH
JKUN 温州健坤接插件有限公司 WENZHOU JKUN CONNECTOR CO.,LTD.				TITLE: - -
.X±0.35	X.±	USE:	CUSTOMER	
.XX±0.25	.X±	APPD:	邵敬和	
.XXX±0.15	.XX±	CHKD:	田峰	
--	--	DR:	蒋建银	
UNITS: mm		SCALE	SHEET	
		1 : 1	1 / 1	

