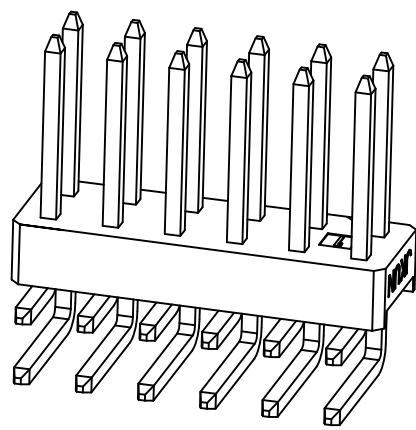
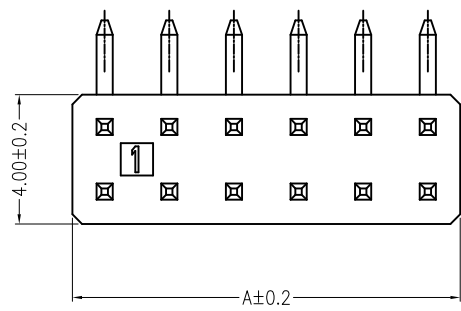
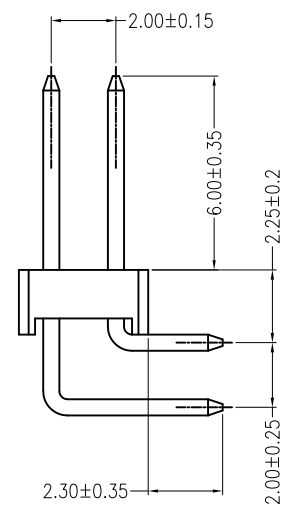
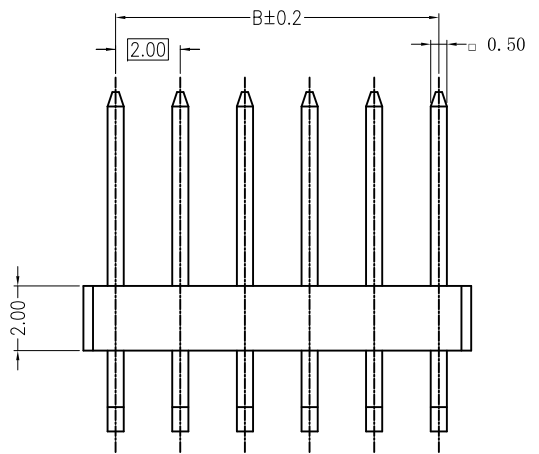


| REV | DESCRIPTION | DESIGN | DATE |
|-----|-------------|----------|------------|
| A0 | NEW RELEASE | Lingqing | 2020/05/06 |

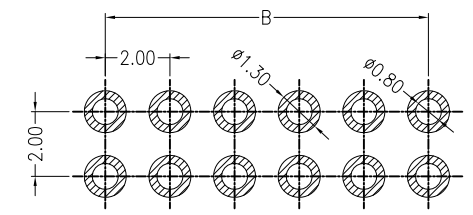


Specifications:

Contact resistance: $\leq 60m\Omega$
 Insulation resistance: $\geq 100M\Omega$
 Rated voltage: 275V AC DC
 Rated current: 1.0A AC DC
 Withstand Voltage: 500V AC/minute
 Temperature Range: $-40^{\circ}C \sim +105^{\circ}C$
 Housing: LCP UL94V-0, Natural (Beige)
 Contacts: Brass/Matte Sn-plated



| PIN. | DIM A | DIM B |
|------|-------|-------|
| 2*2 | 4.0 | 2.0 |
| 2*3 | 6.0 | 4.0 |
| 2*4 | 8.0 | 6.0 |
| 2*5 | 10.0 | 8.0 |
| 2*6 | 12.0 | 10.0 |
| 2*7 | 14.0 | 12.0 |
| 2*8 | 16.0 | 14.0 |



RECOMMENDED PCB LAYOUT (TOP VIEW)
 TOLERANCE: $\pm 0.05mm$

ORDER INFORMATION:

L2004AW-2-F8MB2-P**

PART No. _____
 No. OF CIRCUITS: _____
 2**
 PLASTIC MATERIAL: F8M=LCP

PACKAGING: P=PE
 Metal code: 2=BRASS
 PLATING: B=MATTE Sn

| | | | |
|--|----------------------|--|----------------------------------|
| JKUN 温州健坤接插件有限公司 WENZHOU JKUN CONNECTOR CO.,LTD. | | TITLE: 2.0mm pitch 90°Wafe DIP type | |
| GENERAL TOLERANCE | | USE: CUSTOMER | PART NO.: L2004AW-2**-F8MB2-P |
| X. ± 0.50 | X. $\pm 5^{\circ}$ | APPD: Shaojinghe | DWG NO.: JKUN-GCKH-2077 |
| X.X ± 0.30 | X.X $\pm 2^{\circ}$ | CHKD: Fangsongle | SCALE 1 : 1 |
| X.XX ± 0.20 | X.XX $\pm 1^{\circ}$ | DR: Zenglingqing | SHEET 1 / 1 |
| UNITS: mm | | | |