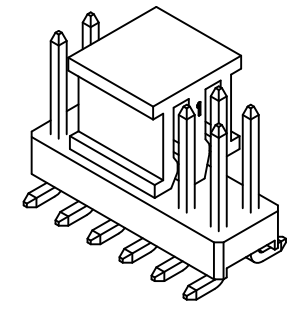
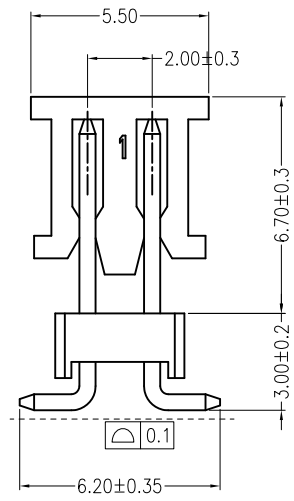
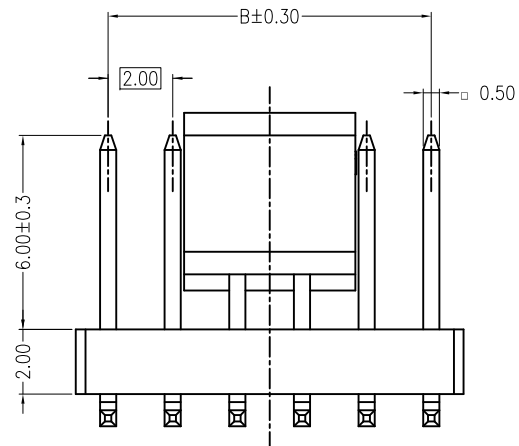
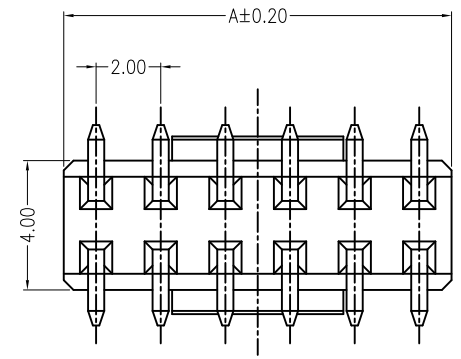


REV	DESCRIPTION	DESIGN	DATE
A	NEW RELEASE	Chenzhiming	2021/08/25



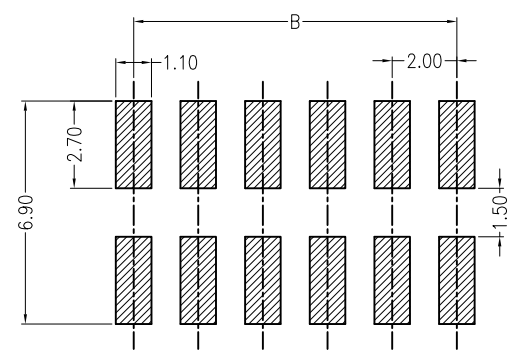
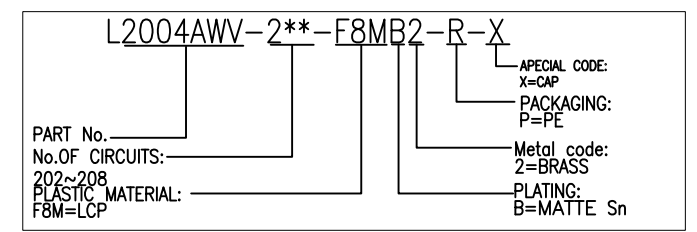
Specifications:

- Contact resistance: ≤60mΩ
- Insulation resistance: ≥100MΩ
- Rated voltage: 275V AC DC
- Rated current: 1.0A AC DC
- Withstand Voltage: 500V AC/minute
- Temperature Range: -40°C ~ +105°C
- Housing: LCP UL94V-0, Natural (Beige)
- Cap: LCP UL94V-0, Natural (Beige)
- Contacts: Brass/Matte Sn-plated



PIN.	DIM A	DIM B
2*2	4.0	2.0
2*3	6.0	4.0
2*4	8.0	6.0
2*5	10.0	8.0
2*6	12.0	10.0
2*7	14.0	12.0
2*8	16.0	14.0

ORDER INFORMATION:



ROMMENDED PCB LAYOUT
TOLERANCE ±0.05

JKUN 温州健坤接插件有限公司 WENZHOU JKUN CONNECTOR CO.,LTD.		TITLE: 2.0mm pitch 180°Wafe SMT type	
GENERAL TOLERANCE		USE: CUSTOMER	PART NO.:
X. ±0.50	X. ±5°	APPD: Shaojinghe	L2004AWV-2**-F8MB2-R-X
X.X ±0.30	X.X ±2°	CHKD: Jiangjianyin	DWG NO.:
X.XX ±0.20	X.XX ±1°	DR: Chenzhiming	JKUN-GCKH-2379
UNITS: mm		SCALE 1 : 1	SHEET 1 / 1