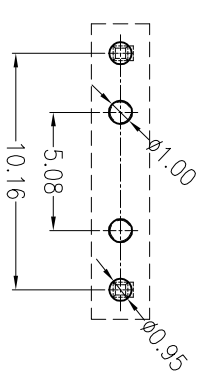


REV	ECN No.	DESCRIPTION	DESIGN	DATE
A0		Release	吴丹平	2017.06.19

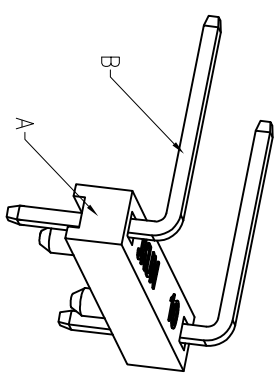
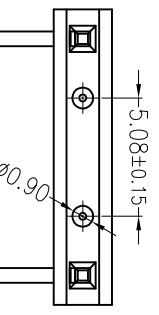
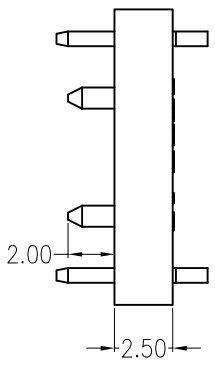
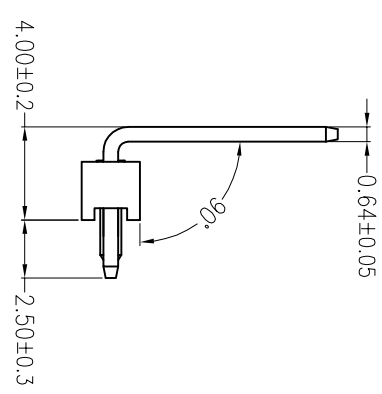
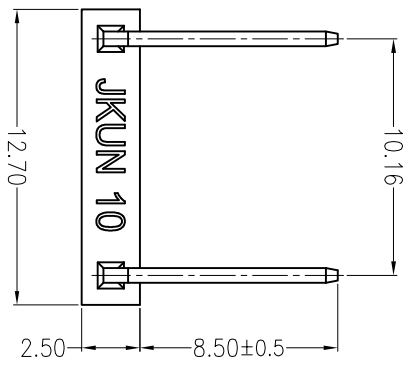
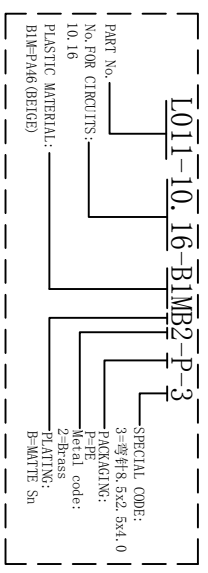


Board Layout

主要技术参数 Main Specifications

- 线数 (Poles): 02 to 10
- 接触电阻 (Contact resistance): $\leq 20m\Omega$
- 绝缘电阻 (Insulation resistance): $\geq 1000M\Omega$
- 额定电压 (Rated voltage): 250V AC DC
- 额定电流 (Rated current): 2.0A AC DC
- 耐电压 (Withstand Voltage): 1500V AC/minute
- 温度范围 (Temperature Range): $-40^{\circ}C \sim +110^{\circ}C$

ORDER INFORMATION:



ITEM	COMPONENT	QTY	MATERIAL	FINISH
C	CONTACT	2 PCS	Bross	Sn-plated
B	CONTACT	2 PCS	Bross	Sn-plated
A	HOUSING	1 PCS	PA46	UL 94V-0, COLOR:BERGE

JKUN 温州健坤连接插件有限公司
WENZHOU JKUN CONNECTOR CO., LTD.

TITLE: L011-10.16-03P
10.16mmPITCH 90°WAFER DIP TYPE

USE: CUSTOMER
APPD: 邵敬和

PART NO.: L011-10.16-B1MB2-P-3
DWG NO.: JKUN/GCCP-0498

CHKD: 田峰
DR: 吴丹平

SCALE: 1:1
SHEET: 1/1

1 2 3 4 5

A B C D E F