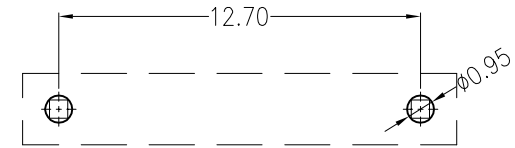
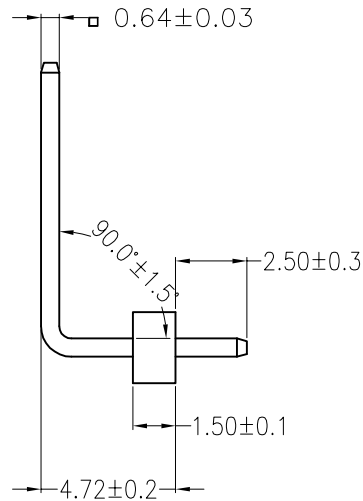
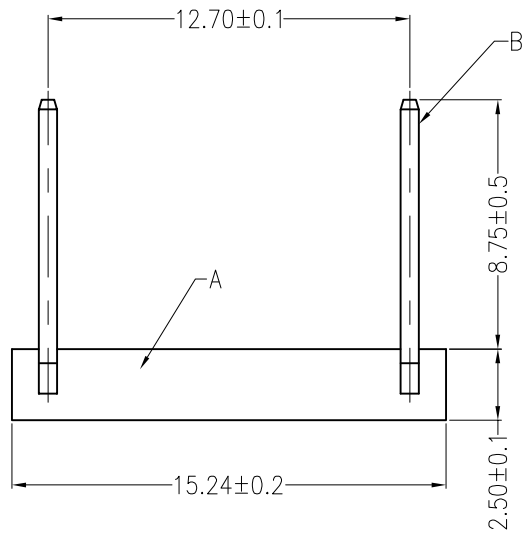


定制品

起订量

50000PCS

REV	DESCRIPTION	DESIGN	DATE
A0	Release	吴丹平	2016.09.20



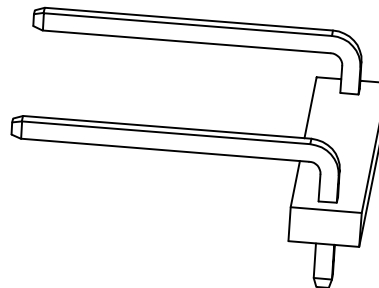
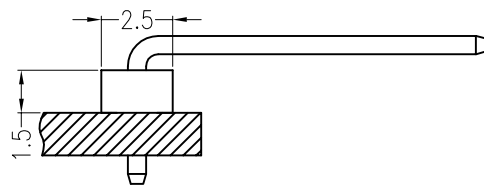
Board Layout
General Tolerance: ±0.05

主要技术参数 Main Specifications

- 线数 (Poles): 02 to 10
- 接触电阻 (Contact resistance): ≤20mΩ
- 绝缘电阻 (Insulation resistance): ≥1000MΩ
- 额定电压 (Rated voltage): 250V AC DC
- 额定电流 (Rated current): 2.0A AC DC
- 耐电压 (Withstand Voltage): 1500V AC/minute
- 温度范围 (Temperature Range): -40°C ~ +110°C

ORDER INFORMATION:

L012-12.7-B1MB2-P-50	
PART No. _____	SPECIAL CODE: _____
No. FOR CIRCUITS: _____	50=弯针8.75*2.5*4.72
12.7	PACKAGING: _____
PLASTIC MATERIAL: _____	P=PE
B1M=PA46 (BEIGE)	Metal code: _____
	Z=Brass
	PLATING: _____
	B=MATTE Sn



Assembly Layout

ITEM	COMPONENT	Q'TY	MATERIAL	FINISH
C				
B	CONTACT	2 PCS	Brass	Sn-plated
A	PEDESTAL	1 PCS	PA46	UL 94V-0, COLOR:BEIGE

X.±0.5		X.±5°	USE: CUSTOMER	TITLE: -	
.X±0.3		.X±2°		12.7mmPITCH 90°WAFER DIT TYPE	
.XX±0.25		.XX±1°	APPD: 谭龙清	PART NO.: L012-12.7-B1MB2-P-50	
---		---	CHKD: 田峰	DWG NO.: JKUN/GCCP-1128	
UNITS: mm			DR: 蒋建银	SCALE: 1:1	SHEET: 1/1