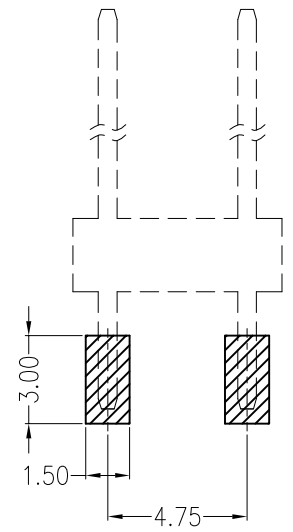
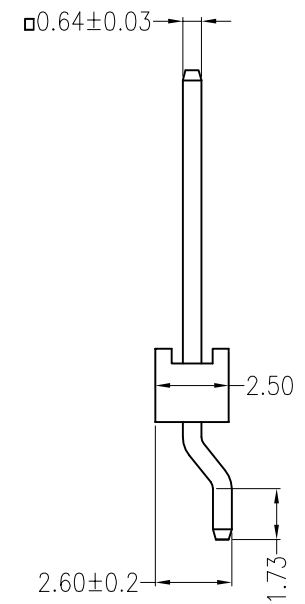
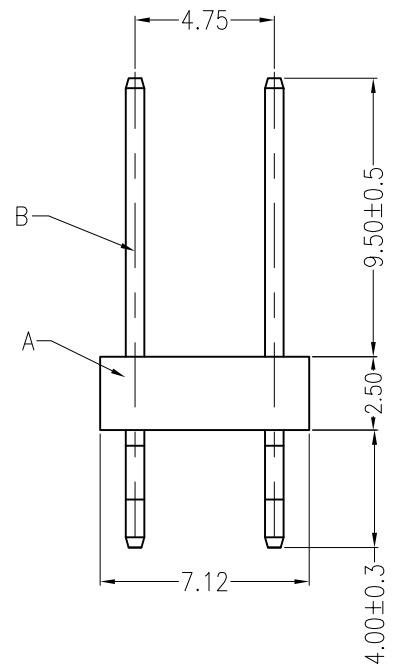


REV	ECN No.	DESCRIPTION	DESIGN	DATE
A0		Release	吴丹平	2017.11.02

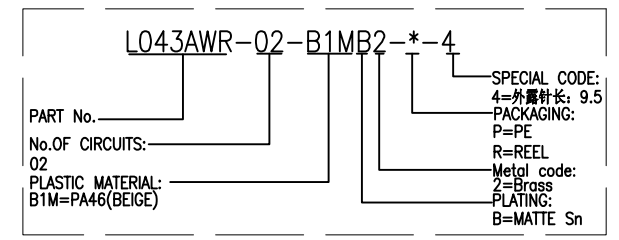


**Board Layout**  
General Tolerance:  $\pm 0.05$

### 主要技术参数 Main Specifications

- 线 数 (Poles): 02 to 10
- 接触电阻 (Contact resistance):  $\leq 30m\Omega$
- 绝缘电阻 (Insulation resistance):  $\geq 1000M\Omega$
- 额定电压 (Rated voltage): 250V AC DC
- 额定电流 (Rated current): 2.0A AC DC
- 耐 电压 (Withstand Voltage): 1500V AC/minute
- 温度范围 (Temperature Range):  $-40^{\circ}C \sim +110^{\circ}C$

ORDER INFORMATION:



ITEM	COMPONENT	Q'TY	MATERIAL	FINISH
C				
B	CONTACT	2 PCS	Brass	MATTE Sn-plated
A	HOUSING	1 PCS	PA46	UL 94V-0, COLOR:BEIGE

**JKUN 温州健坤接插件有限公司**  
WENZHOU JKUN CONNECTOR CO.,LTD.

TITLE: -  
4.75mmPITCH 180°WAFER SMT TYPE

X.±0.5	X.±5'	USE: CUSTOMER	PART NO.: L043AWR-02-B1MB2-*-4
.X±0.3	.X±2'		
.XX±0.25	.XX±1'	CHKD: 田 峰	DWG NO.: JKUN-GCCP-1069
---	---	DR: 吴丹平	SCALE: 1 : 1
UNITS: mm			SHEET: 1 / 1