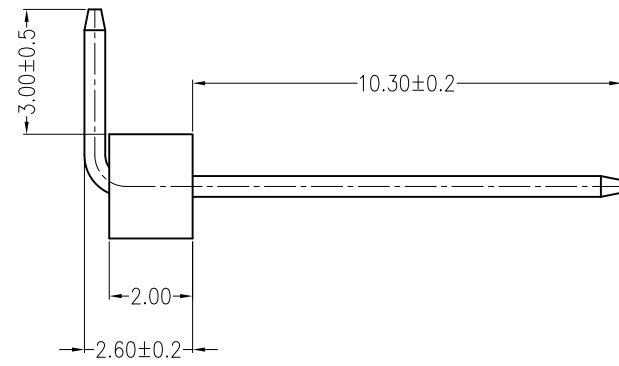
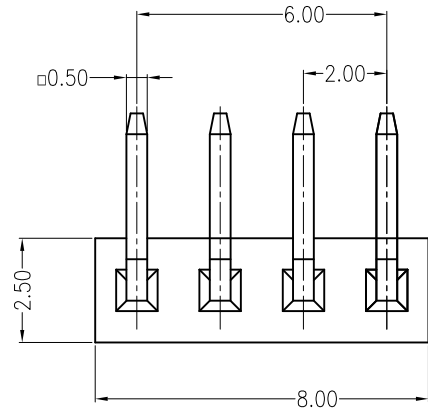


A B C D

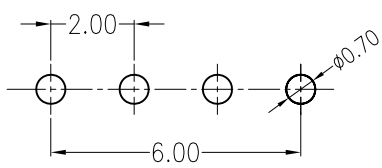
Customized products MOQ 50000PCS

REV	DESCRIPTION	DESIGN	DATE
A0	NEW RELEASE	Jiangjanyin	2020/09/25



Specifications:

Poles: 02 to 04
 Contact resistance: ≤30mΩ
 Insulation resistance: ≥1000MΩ
 Rated voltage: 275V AC DC
 Rated current: 1.0A AC DC
 Withstand Voltage: 1000V AC/minute
 Temperature Range: -40°C ~ +110°C
 Housing: PA46 UL94V-0, Natural (Beige)
 Contacts: Brass/MATTE Sn-plated



Board Layout
 General Tolerance: ±0.05

ORDER INFORMATION:

L2001AW-04-B1MB2-P-4

PART No. _____ No.FOR CIRCUITS: _____ 04 PLASTIC MATERIAL: _____ B1M=PA46(NATURAL)	SPECIAL CODE: 4=curved needle 3.0*10.30*2.6 PACKAGING: P=PE Metal code: 2=Brass PLATING: B=MATTE Sn
--	--

JKUN 温州健坤接插件有限公司 WENZHOU JKUN CONNECTOR CO.,LTD.		TITLE: 2.0mmpitch 90°Wafe dip type	
GENERAL TOLERANCE		USE: CUSTOMER	PART NO.:
X. ±0.50	X. ±5°	APPD: Liuzhenling	L2001AW-04-B1MB2-P-4
X.X ±0.30	X.X ±2°	CHKD: Wangliang	DWG NO.:
X.XX ±0.20	X.XX ±1°	DR: Jiangjanyin	JKUN-GCKH-2203
UNITS: mm		SCALE 1 : 1	SHEET 1 / 1