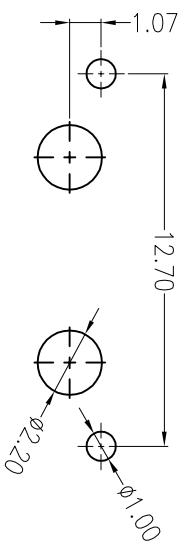


定制品

起订量

5万PCS

REV	ECN No.	DESCRIPTION	DESIGN	DATE
A	-	Release	蒋建银	2018.04.02

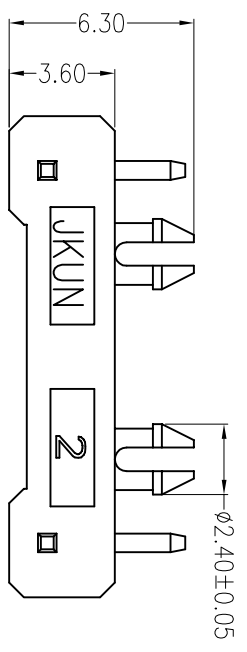
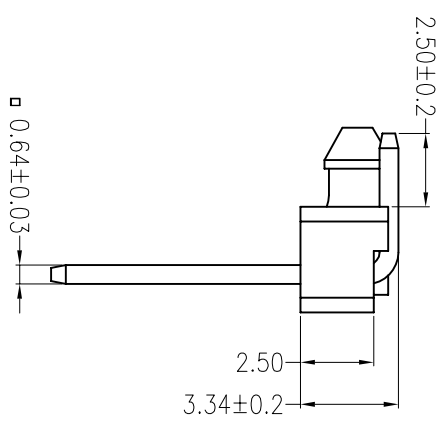
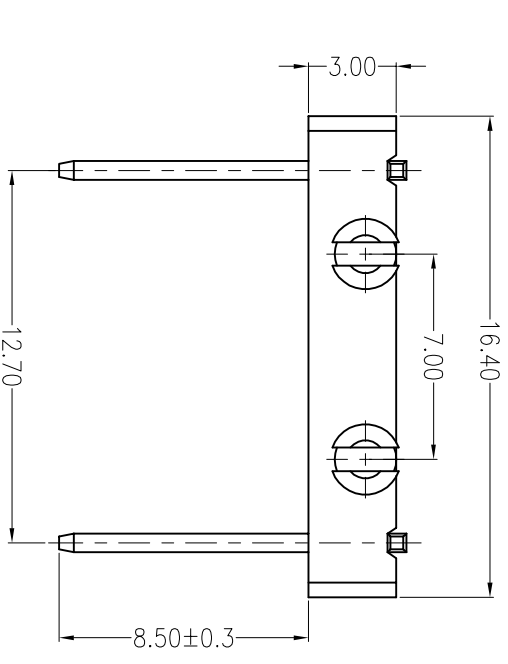
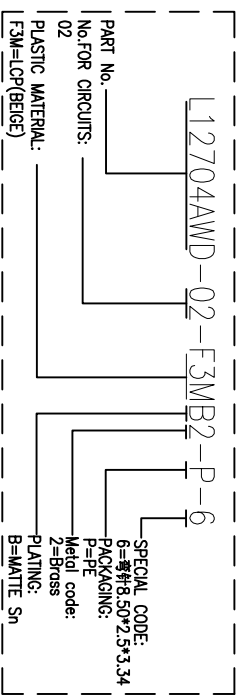


Board Layout
General Tolerance: ±0.05

主要技术参数 Main Specifications

接触电阻 (Contact resistance): $\leq 20m\Omega$
 绝缘电阻 (Insulation resistance): $\geq 1000M\Omega$
 额定电压 (Rated voltage): 250V AC DC
 额定电流 (Rated current): 2.0A AC DC
 耐电压 (Withstand Voltage): 1000V AC/minute
 温度范围 (Temperature Range): $-40^{\circ}C \sim +120^{\circ}C$

ORDER INFORMATION:



ITEM	COMPONENT	QTY	MATERIAL	FINISH
C	CONTACT	2 PCS	Brass	MATE Sn-plated
A	HOUSING	1 PCS	LCP	UL 94V-0, COLOR:BERGE

JKUN 温州健坤 连接器有限公司
 WENZHOU JKUN CONNECTOR CO.,LTD.

TITLE: L12704AWD
 12.7Pitch 90°wafer dip type

.X±0.35	X.±	USE: CUSTOMER	PART NO.:	L12704AWD-02-F3MB2-P-6
.XX±0.25	X±	APPD: 谭龙清	DWG NO.:	JKUN/GCKH-1131
.XXX±0.15	.XX±	CHKD: 田峰	SCALE	1 : 1
--	--	DR: 蒋建银	SHEET	1 / 1

