

A

B

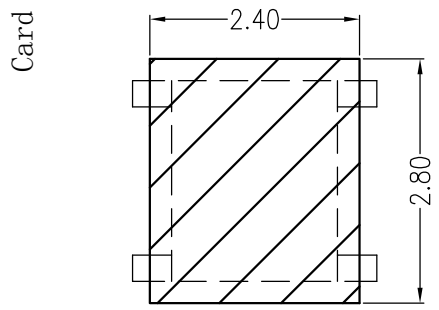
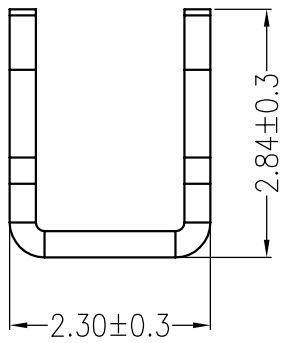
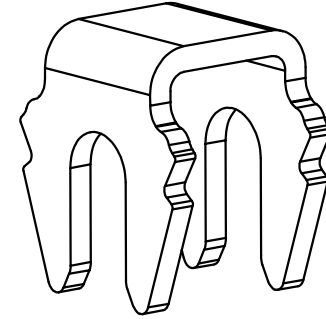
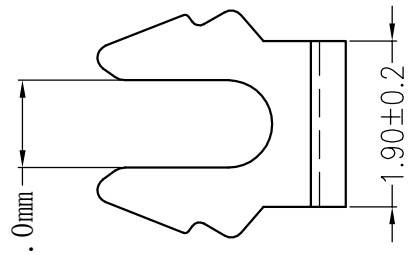
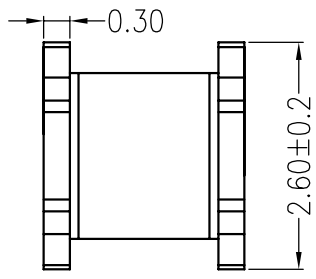
C

D

E

F

REV	ECN No.	DESCRIPTION	DESIGN	DATE
A0		Release	蒋建银	2018.10.16



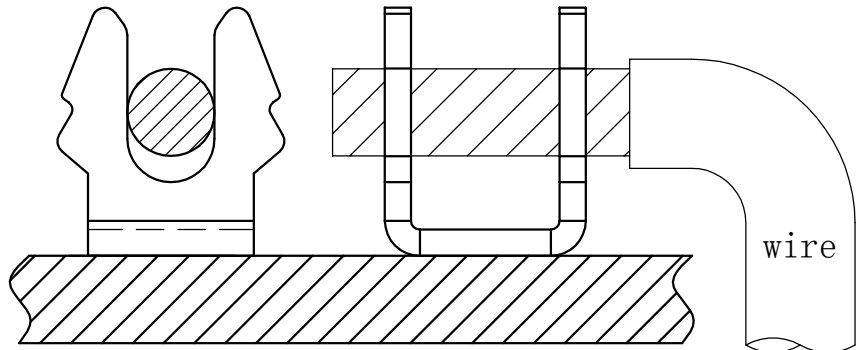
主要技术参数 Main Specifications

线 数 (Poles): 01
 接触电阻 (Contact resistance): ≤20mΩ
 绝缘电阻 (Insulation resistance):
 额定电压 (Rated voltage): 250V AC DC
 额定电流 (Rated current): 1.0A AC DC
 耐 电 压 (Withstand Voltage):
 温度范围 (Temperature Range):

ORDER INFORMATION:

L036K-1.0-000B2-R	
PART No.	PACKAGING: R=REEL P=PE
No. FOR CIRCUITS: 1.0=Card slot1.0	Metal material: 2=Brass
PLASTIC MATERIAL: 000=No plastic	PLATING: B=MATTE Sn

Board Layout
 General Tolerance: ±0.05



Assembly Layout Card slot 1.0mm 20AWG

C				
B				
A	CONTACT	1 PCS	Brass	MATTE Sn-plated
ITEM	COMPONENT	Q'TY	MATERIAL	FINISH

JKUN 温州健坤接插件有限公司 WENZHOU JKUN CONNECTOR CO.,LTD.			TITLE: -	
X.±0.5	X.±5'	USE: CUSTOMER	PART NO.:	
.X±0.3	.X±2'		L036K-1.0-000B2-R	
.XX±0.25	.XX±1'	APPD: 邵敬和	DWG NO.:	
--	--	CHKD: 田峰	JKUN-GCCP-1235	
⊕	◁	UNITS: mm	DR: 蒋建银	SCALE 1 : 1
				SHEET 1 / 1

A

B

C

D

E

F

1

2

3

4

5

1

2

3

4