

A

B

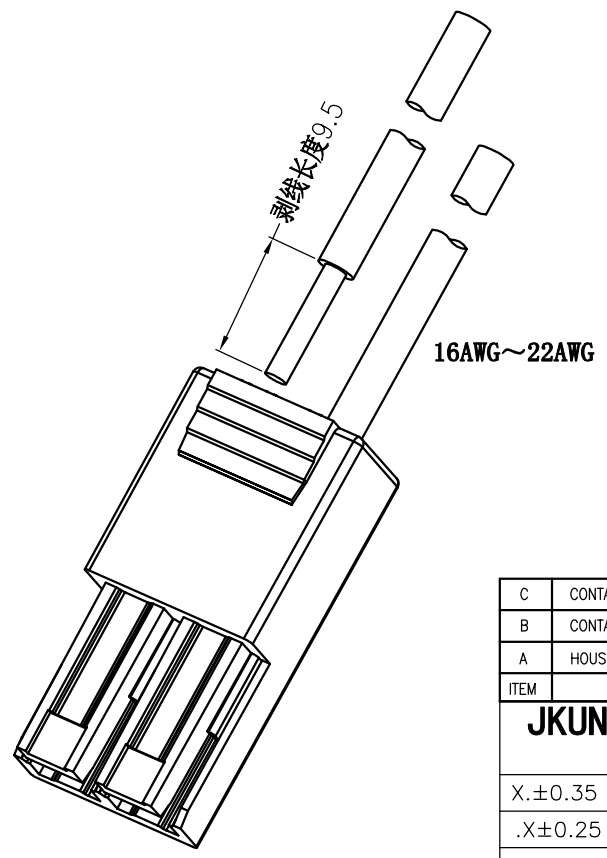
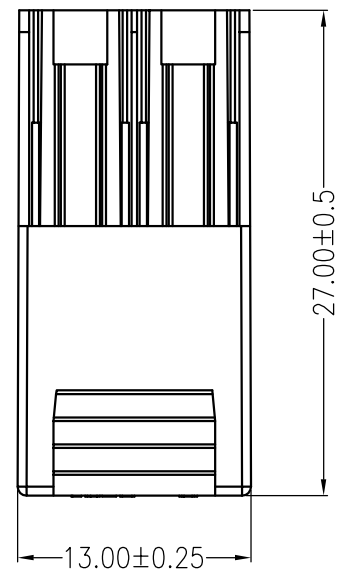
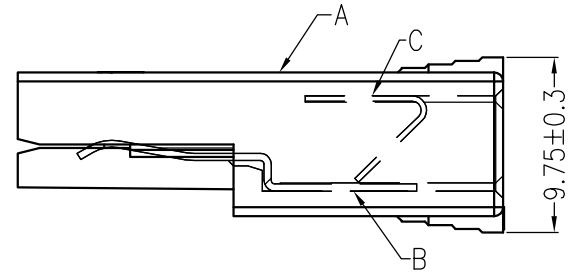
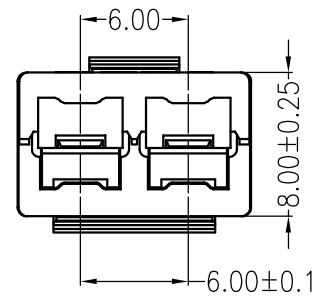
C

D

E

F

| REV | DESCRIPTION | DESIGN | DATE |
|-----|-------------|--------|------|
| A | Release | - | - |
| - | - | - | - |



主要技术参数 Main Specifications

- 线 数 (Poles): 02
- 接触电阻 (Contact resistance): $\leq 25m\Omega$
- 绝缘电阻 (Insulation resistance): $\geq 1000M\Omega$
- 额定电压 (Rated voltage): 600V AC DC
- 额定电流 (Rated current): 3A AC DC
- 耐 电 压 (Withstand Voltage): 2200V AC/minute
- 温度范围 (Temperature Range): $-40^{\circ}C \sim +105^{\circ}C$

ORDER INFORMATION:

L046-02-G10A1-P

| | | | |
|-------------------|-----------------|-----------------|------------------|
| PART No. | | PACKAGING: | |
| No. FOR CIRCUITS: | 02 | P=PE | |
| PLASTIC MATERIAL: | G10=PC (orange) | Metal material: | 1=PhosphorBronze |
| | | PLATING: | A=Sn |

| ITEM | COMPONENT | Q'TY | MATERIAL | FINISH |
|------|-----------|-------|-----------------|------------------------|
| C | CONTACT | 2 PCS | Stainless steel | No electroplating |
| B | CONTACT | 2 PCS | PhosphorBronze | Sn plated |
| A | HOUSING | 1 PCS | PC | UL 94V-0, COLOR:orange |

JKUN 温州健坤接插件有限公司
WENZHOU JKUN CONNECTOR CO., LTD.

TITLE: 6mmPITCH Housing
 PART NO.: L046-02-G10A1-P
 DWG NO.: JKUN/GCCP-0075
 SCALE: 1 : 1
 SHEET: 1 / 1

| | | | |
|-----------|------|-------|-------------|
| X.±0.35 | X.± | USE: | MANUFACTURE |
| .X±0.25 | .X± | APPD: | 邵敬和 |
| .XX±0.15 | .XX± | CHKD: | 田峰 |
| -- | -- | DR: | 蒋建银 |
| UNITS: mm | | | |

A

B

C

D

E

F

1

2

3

4

5

1

2

3

4

5