

A

B

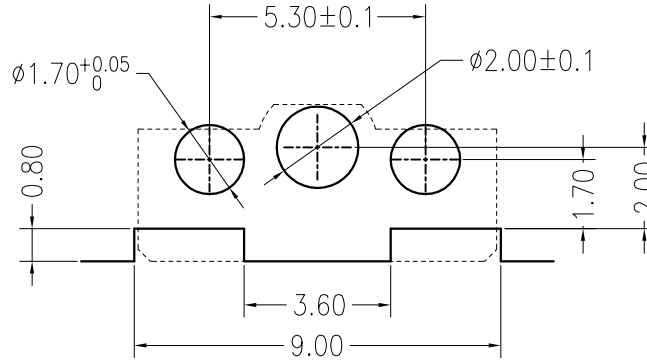
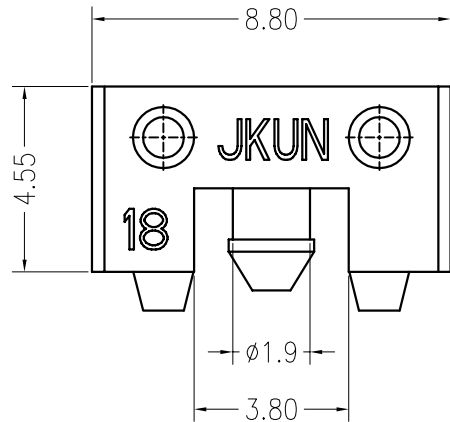
C

D

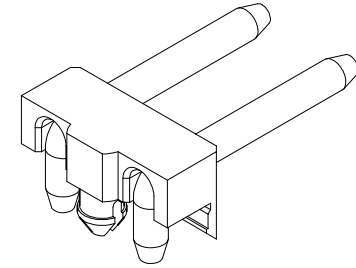
E

F

REV	ECN No.	DESCRIPTION	DESIGN	DATE
A0	-	Release	蒋建银	2018.08.29
-	-	-	-	-



Board Layout
General Tolerance: ± 0.05



主要技术参数 Main Specifications

线 数 (Poles): 02

接触电阻 (Contact resistance): $\leq 20m\Omega$

绝缘电阻 (Insulation resistance): $\geq 1000M\Omega$

额定电压 (Rated voltage): 250V AC DC

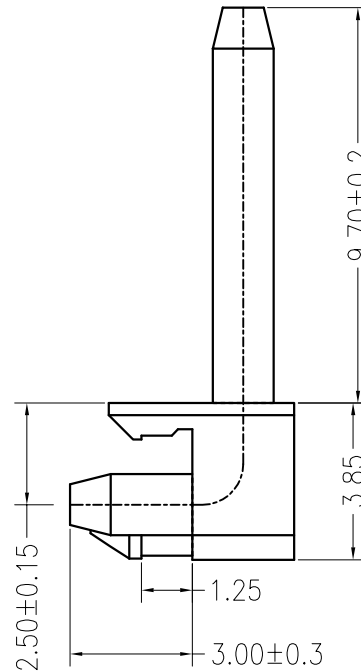
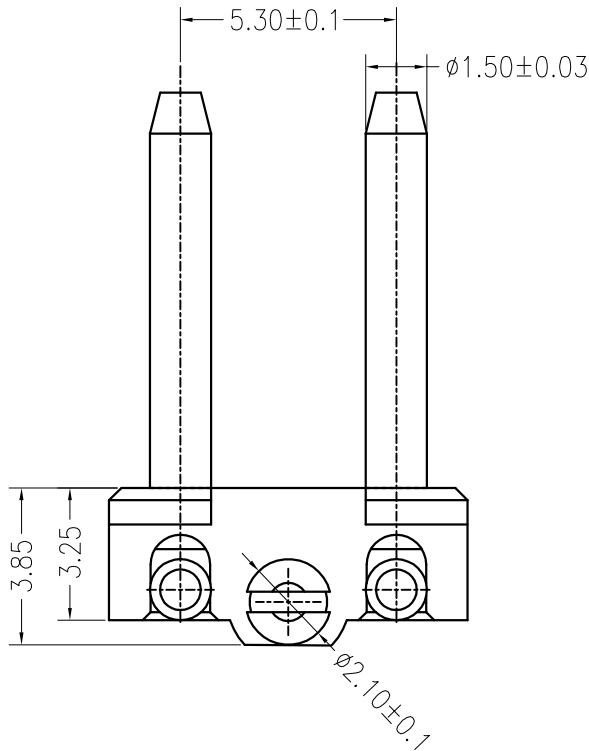
额定电流 (Rated current): 3.0A AC DC

耐电压 (Withstand Voltage): 1000V AC/minute

温度范围 (Temperature Range): $-40^{\circ}C \sim +110^{\circ}C$

ORDER INFORMATION:

PART No.		L018E-02-B1MG2-P-1		SPECIAL CODE:
No.OF CIRCUITS:		02		弯针: 9.7*3.0
PLASTIC MATERIAL:		B1M=PA46(BEIGE)		PACKAGING:
				P=PE
				Metal code:
				2=Brass
				PLATING:
				G=Ni



ITEM	COMPONENT	Q'TY	MATERIAL	FINISH
C				
B	CONTACT	2 PCS	Brass	Ni-plated
A	HOUSING	1 PCS	PA46	UL 94V-0, COLOR:BEIGE

JKUN 温州健坤接插件有限公司 WENZHOU JKUN CONNECTOR CO., LTD.		TITLE: - 5.3mmPITCH 90°WAFER DIP TYPE	
X. ± 0.5	X. $\pm 5^*$	USE:	PART NO.:
.X ± 0.3	.X $\pm 2^*$	CUSTOMER	L018E-02-B1MG2-P-1
.XX ± 0.25	.XX $\pm 1^*$	APPD:	DWG NO.:
--	--	邵敬和	JKUN-GCCP-1207
		CHKD:	SCALE
UNITS:	mm	田峰	1 : 1
		DR:	SHEET
		蒋建银	1 / 1