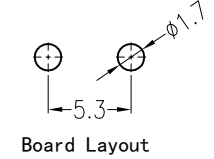
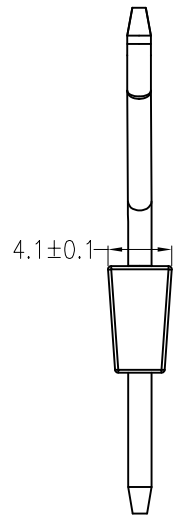
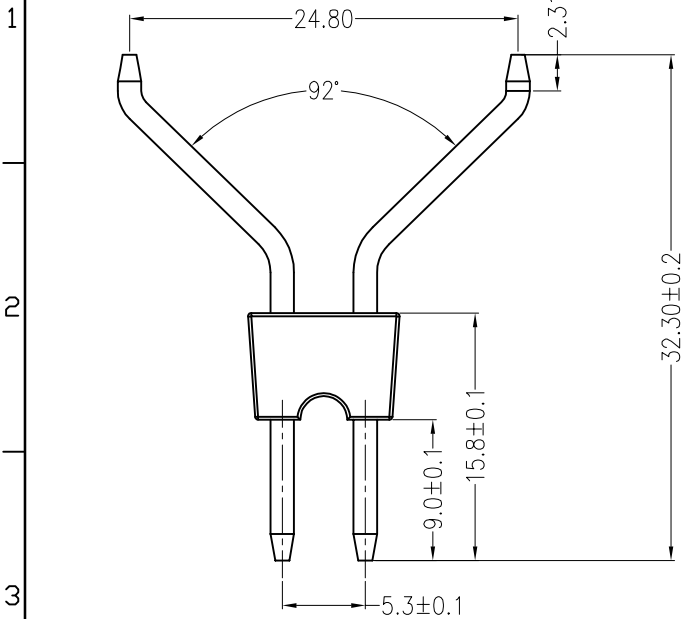


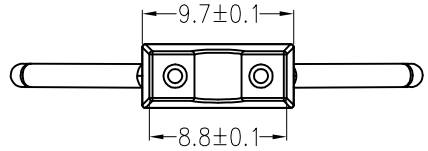
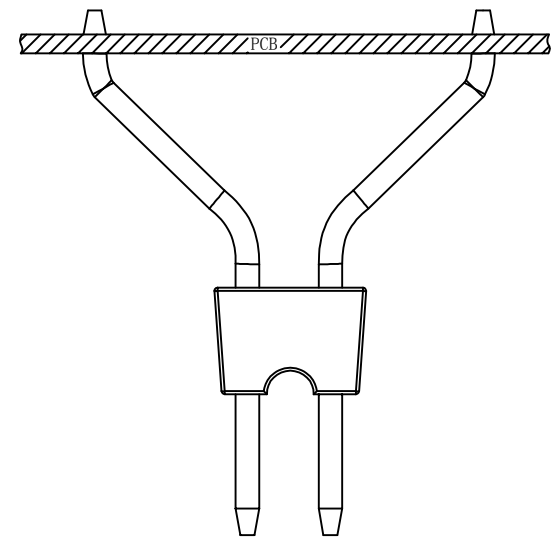
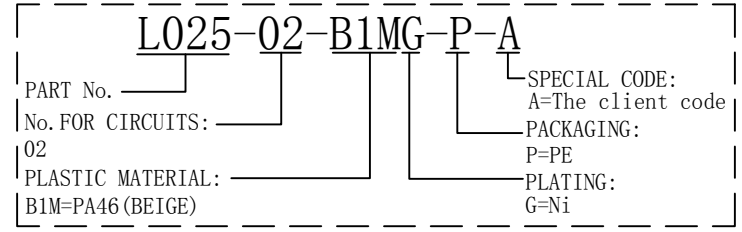
REV	DESCRIPTION	DESIGN	DATE
A0	Release	李润	2016.04.20



**主要技术参数 Main Specifications**

线数 (Poles): 02  
 接触电阻 (Contact resistance):  $\leq 20m\Omega$   
 绝缘电阻 (Insulation resistance):  $\geq 1000M\Omega$   
 额定电压 (Rated voltage): 250V AC DC  
 额定电流 (Rated current): 3.0A AC DC  
 耐电压 (Withstand Voltage): 1800V AC/minute  
 温度范围 (Temperature Range):  $-40^{\circ}C \sim +110^{\circ}C$

**ORDER INFORMATION:**



**Assembly Layout**

ITEM	COMPONENT	Q'TY	MATERIAL	FINISH
C				
B	CONTACT	2 PCS	Brass	Ni-plated
A	PEDESTAL	1 PCS	PA46	UL 94V-0, COLOR:BEIGE

<b>JKUN 温州健坤接插件有限公司</b> <b>WENZHOU JKUN CONNECTOR CO., LTD.</b>		TITLE: - 5.3mmPITCH 180°	
X.±0.5	X.±5°	USE:	PART NO.:
.X±0.3	.X±2°	CUSTOMER	L025-02-B1MG-P-A
.XX±0.25	.XX±1°	APPD:	DWG NO.:
--	--	邵敬和	JKUN/GCCP-0046
		CHKD:	SCALE
		田峰	1 : 1
		DR:	SHEET
		蒋建银	1 / 1