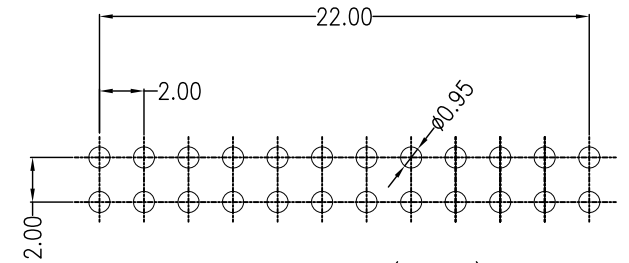
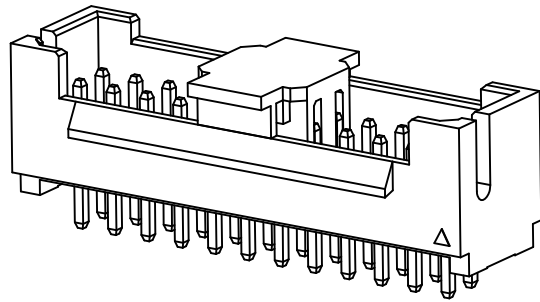
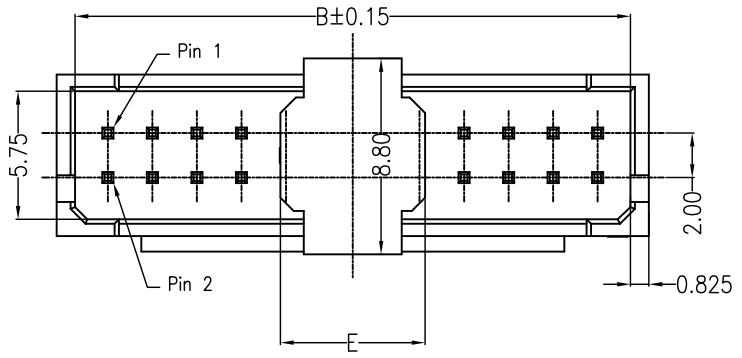
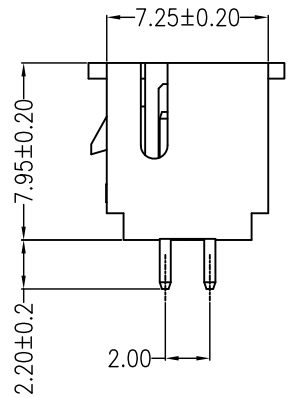
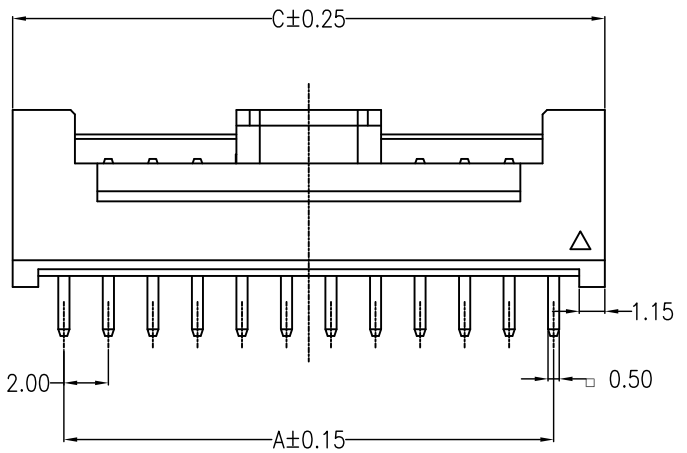


REV	DESCRIPTION	DESIGN	DATE
A	NEW RELEASE	Lingqing	2020/12/03



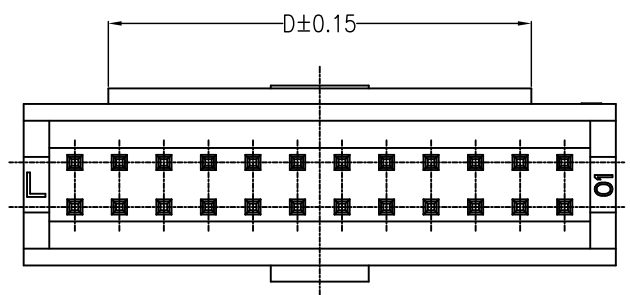
RECOMMENDED PCB LAYOUT(TOP VIEW)  
TOLERANCE:±0.05mm

**Specifications:**  
 Contact resistance: ≤30mΩ  
 Insulation resistance: ≥1000MΩ  
 Rated voltage: 250V AC DC  
 Rated current: 3.0A AC DC  
 Withstand Voltage: 1000V AC/minute  
 Temperature Range: -25°C ~ +85°C  
 Housing: LCP UL94V-0, Natural  
 Cap: LCP UL94V-0, Natural  
 Contacts: Brass Sn-plated



**ORDER INFORMATION:**  
**T2004A-2\*\*-F1CA2-R-X**  
 PART No. \_\_\_\_\_  
 No.OF CIRCUITS: \_\_\_\_\_  
 2\*2~2\*12 \_\_\_\_\_  
 PLASTIC MATERIAL: \_\_\_\_\_  
 F1C=LCP(Natural) \_\_\_\_\_  
 Special code \_\_\_\_\_  
 X=Cap \_\_\_\_\_  
 PACKAGING: \_\_\_\_\_  
 R=REEL \_\_\_\_\_  
 Metal code: \_\_\_\_\_  
 2=Brass \_\_\_\_\_  
 PLATING: \_\_\_\_\_  
 A=Sn-plated \_\_\_\_\_

Circuits	Dimensions (mm)				
	A	B	C	D	E
202 (2X2)	2.00	4.95	6.60	3.00	小座(4.5)
203 (2X3)	4.00	6.95	8.60	3.00	大座(6.5)
204 (2X4)	6.00	8.95	10.60	3.00	
205 (2X5)	8.00	10.95	12.60	5.00	
206 (2X6)	10.00	12.95	14.60	7.00	
207 (2X7)	12.00	14.95	16.60	9.00	
208 (2X8)	14.00	16.95	18.60	11.00	
209 (2X9)	16.00	18.95	20.60	13.00	
210 (2X10)	18.00	20.95	22.60	15.00	
211 (2X11)	20.00	22.95	24.60	17.00	
212 (2X12)	22.00	24.95	26.60	19.00	
213 (2X13)	24.00	26.95	28.60	21.00	
214 (2X14)	26.00	28.95	30.60	23.00	
215 (2X15)	28.00	30.95	32.60	25.00	
216 (2X16)	30.00	32.95	34.60	27.00	

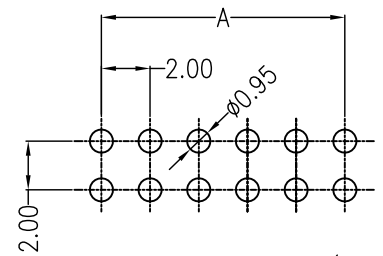
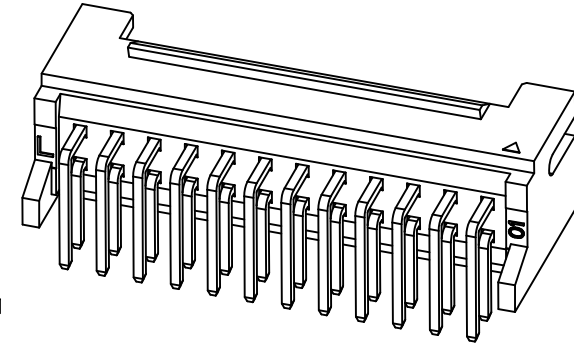


<b>JKUN</b> 温州健坤接插件有限公司 WENZHOU JKUN CONNECTOR CO.,LTD.		TITLE: 2.0mm pitch 180°Wafe DIP type	
GENERAL TOLERANCE		USE: CUSTOMER	PART NO.:
X. ±0.50	X. ±5°	APPD: WangFeng	T2004A-2**-F1CA2-R-X
X.X ±0.30	X.X ±2°	CHKD: Shaojinghe	DWG NO.:
X.XX ±0.20	X.XX ±1°	DR: Zenglingqing	JKUN-GCKH-0904
UNITS: mm		SCALE 1 : 1	SHEET 1 / 1

REV	DESCRIPTION	DESIGN	DATE
A	NEW RELEASE	Lingqing	2020/12/03

**Specifications:**

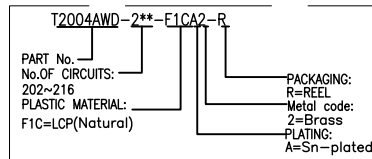
Contact resistance:  $\leq 30m\Omega$   
 Insulation resistance:  $\geq 1000M\Omega$   
 Rated voltage: 250V AC DC  
 Rated current: 3.0A AC DC  
 Withstand Voltage: 1000V AC/minute  
 Temperature Range:  $-25^{\circ}C \sim +85^{\circ}C$   
 Housing: LCP UL94V-0, Natural  
 Contacts: Brass Sn-plated



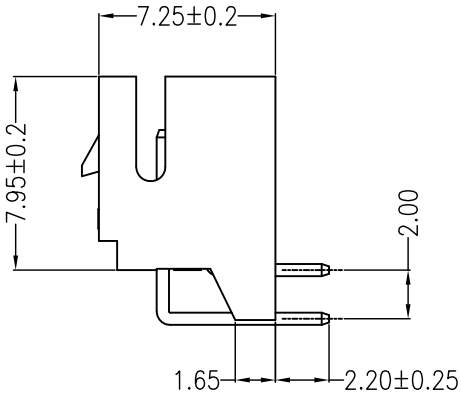
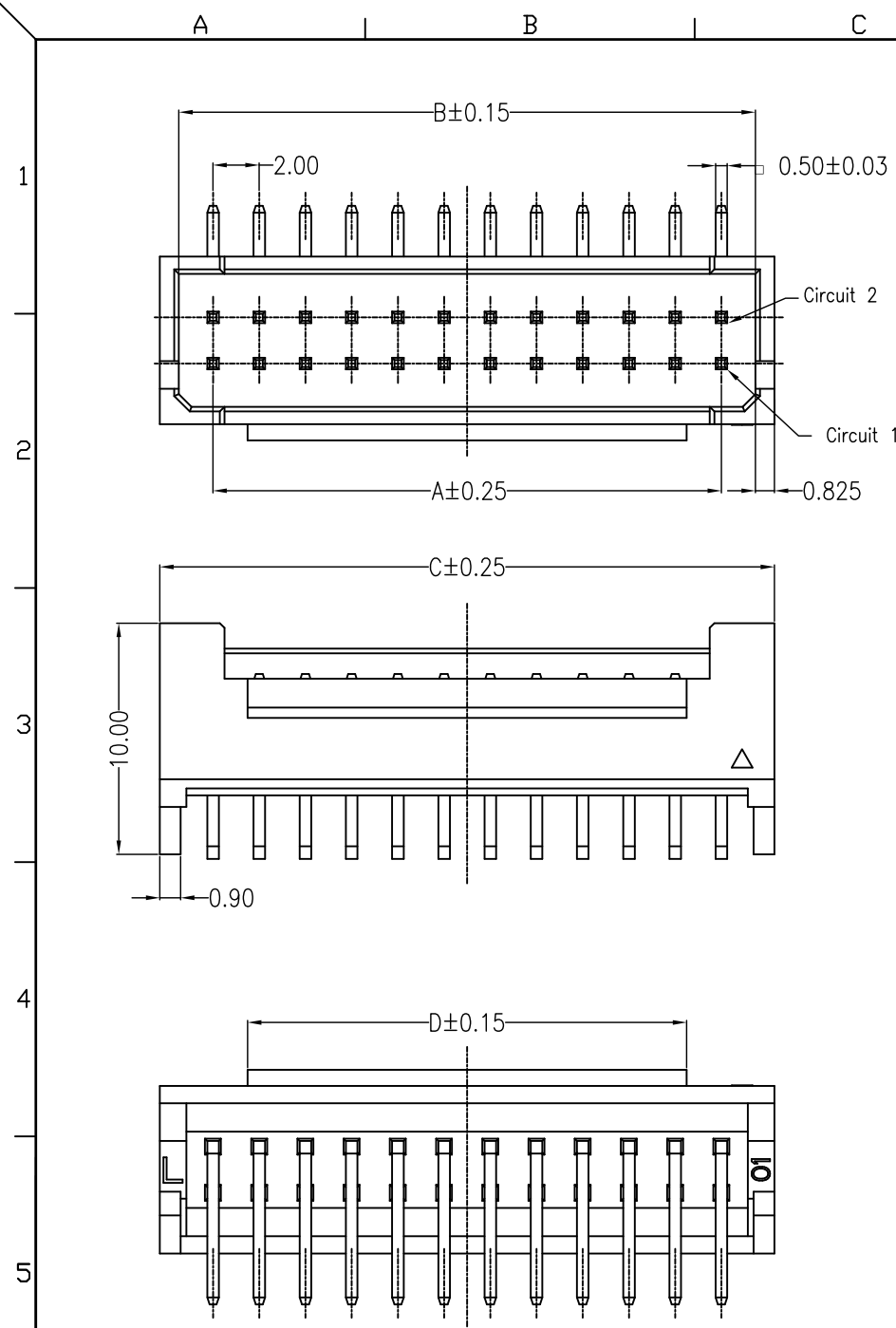
RECOMMENDED PCB LAYOUT(TOP VIEW)  
TOLERANCE:  $\pm 0.05mm$

Circuits	Dimensions (mm)			
	A	B	C	D
202 (2X2)	2.00	4.95	6.60	3.00
203 (2X3)	4.00	6.95	8.60	3.00
204 (2X4)	6.00	8.95	10.60	3.00
205 (2X5)	8.00	10.95	12.60	5.00
206 (2X6)	10.00	12.95	14.60	7.00
207 (2X7)	12.00	14.95	16.60	9.00
208 (2X8)	14.00	16.95	18.60	11.00
209 (2X9)	16.00	18.95	20.60	13.00
210 (2X10)	18.00	20.95	22.60	15.00
211 (2X11)	20.00	22.95	24.60	17.00
212 (2X12)	22.00	24.95	26.60	19.00
213 (2X13)	24.00	26.95	28.60	21.00
214 (2X14)	26.00	28.95	30.60	23.00
215 (2X15)	28.00	30.95	32.60	25.00
216 (2X16)	30.00	32.95	34.60	27.00

ORDER INFORMATION:



<b>JKUN</b> 温州健坤接插件有限公司 WENZHOU JKUN CONNECTOR CO.,LTD.		TITLE: 2.0mm pitch 90°Wafe PIP type	
GENERAL TOLERANCE		PART NO.:	
X. $\pm 0.50$	X. $\pm 5^{\circ}$	T2004AWD-2**-F1CA2-R	
X.X $\pm 0.30$	X.X $\pm 2^{\circ}$	DWG NO.:	
X.XX $\pm 0.20$	X.XX $\pm 1^{\circ}$	JKUN-GCKH-0905	
 UNITS: mm	USE:	SCALE	
	CUSTOMER	1 : 1	
	APPD:	SHEET	
	WangFeng	1 / 1	
	CHKD:		
	Shaojinghe		
	DR:		
	Zenglingqing		



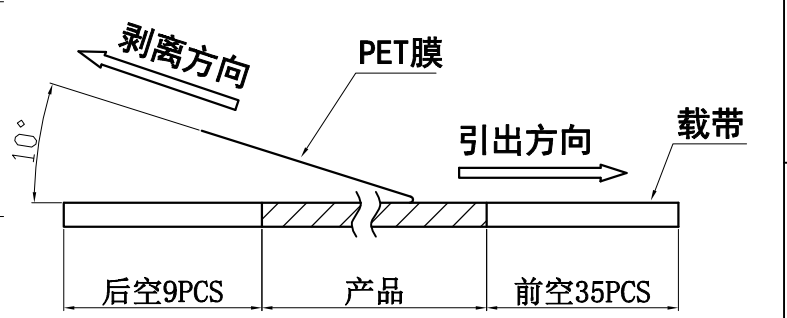
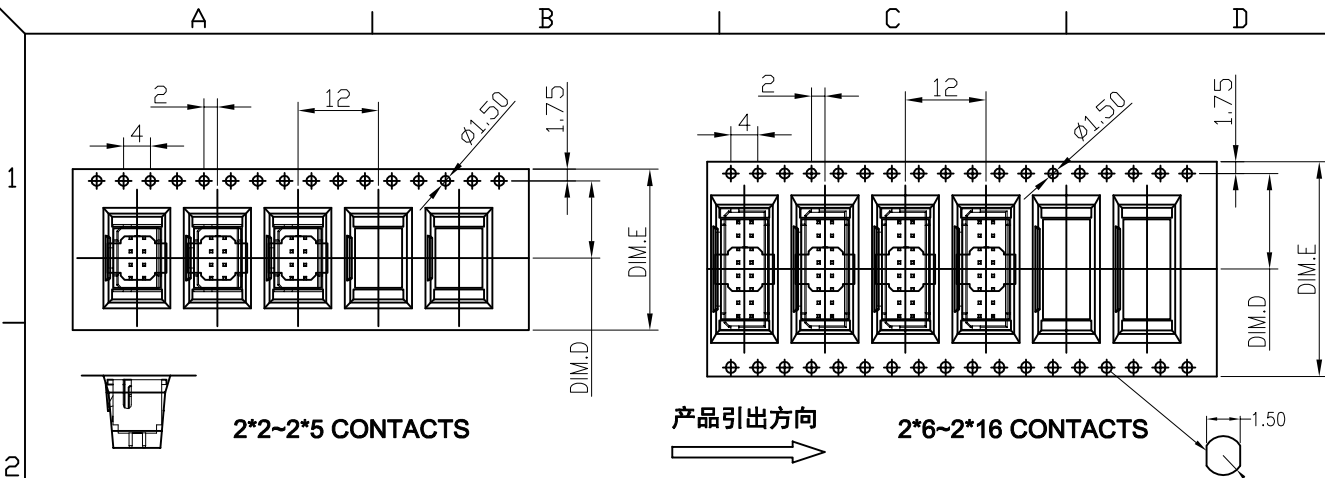
1  
2  
3  
4  
5

1  
2  
3  
4  
5

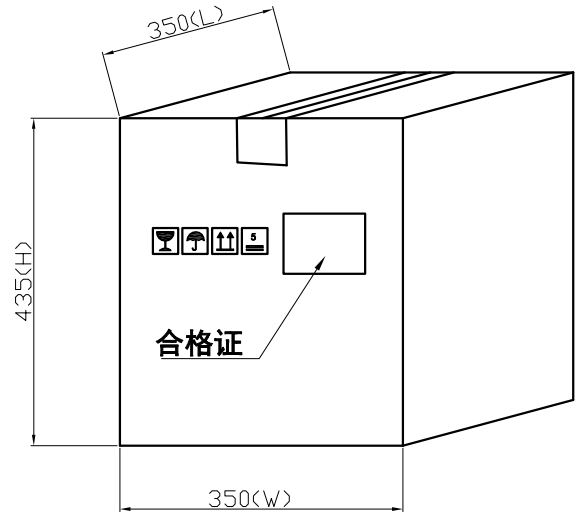
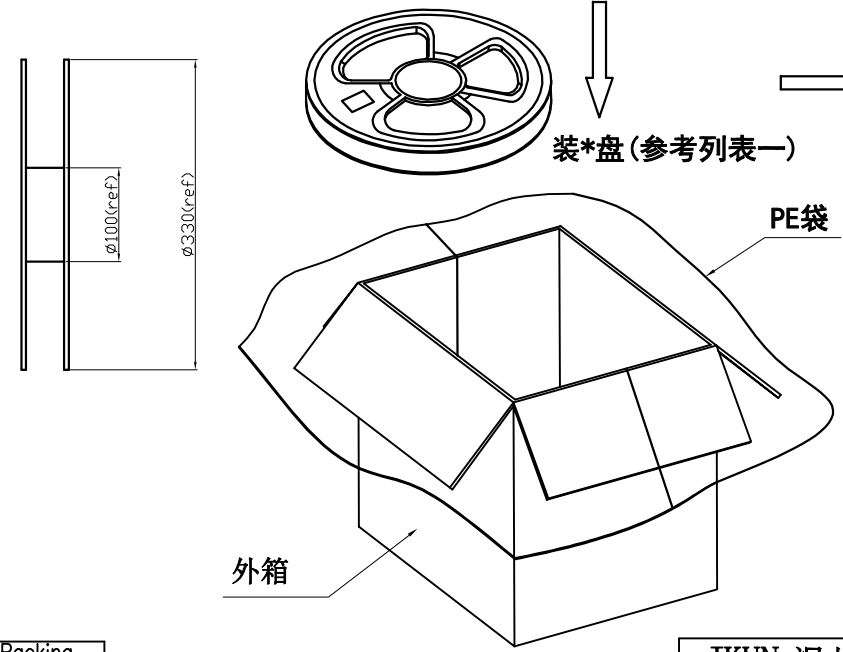
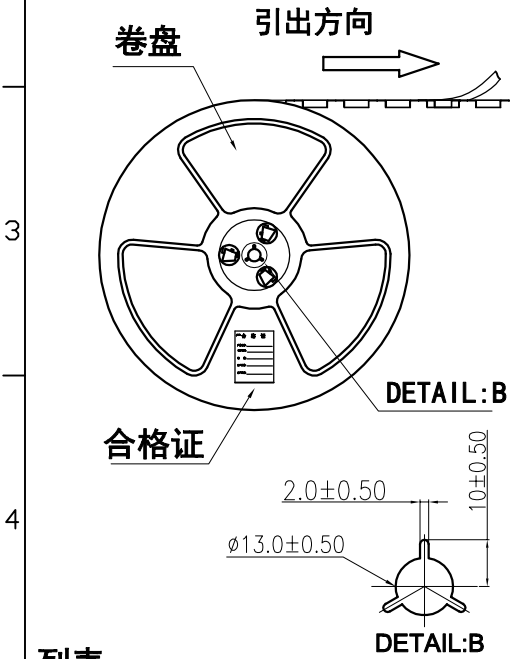
A B C D E F

A B C D E F

REV	ECN No.	DESCRIPTION	DESIGN	DATE
A		Release	程永海	2023.05.09



(PET膜剥离示意图)



列表一

Circuits	DIM. D	DIM. E	Q'ty/Reel	Packing (Reel/Caton)
2*2 PIN	7.5	16	500PCS	20/Reel
2*3~2*5 PIN	11.5	24	500PCS	15/Reel
2*6~2*8 PIN	14.25	32	500PCS	11/Reel
2*9~2*14 PIN	20.2	44	500PCS	8/Reel
2*15~2*16 PIN	26.2	56	500PCS	7/Reel

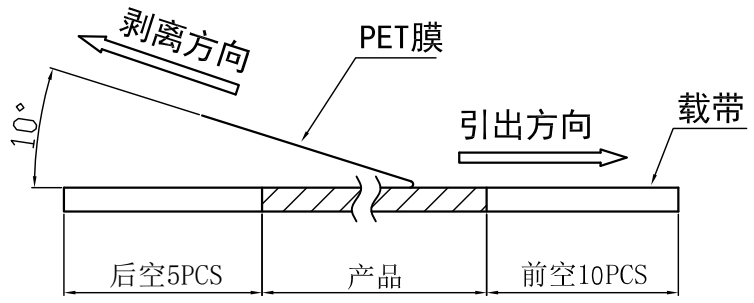
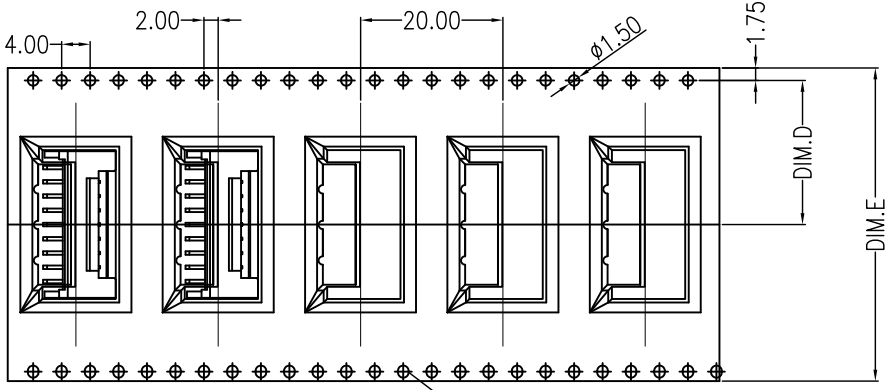
包装说明:

- 把成品包入卷盘中, 每盘装500PCS, 卷盘上贴上合格证, 将装好产品的卷盘放进外箱中, 外箱内先套一个大PE袋, 外箱上贴贴上合格证.
- 所有材料有害物控制需符合RoHS标准.

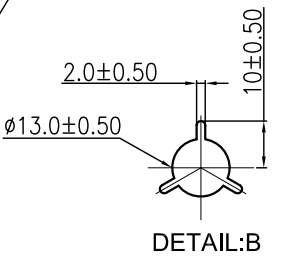
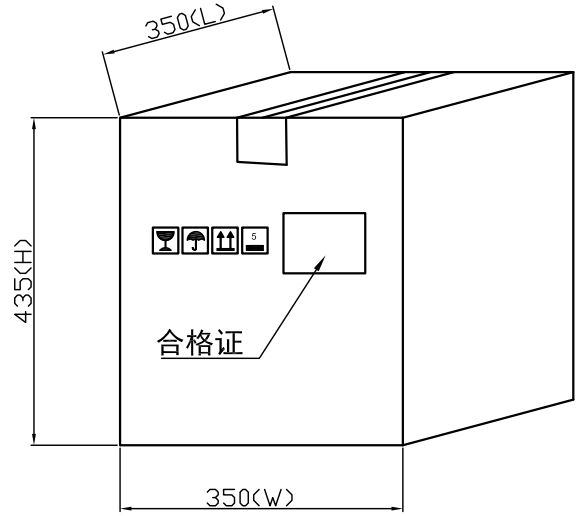
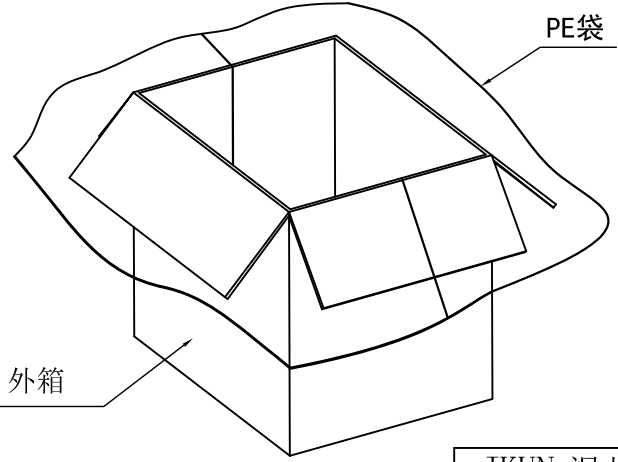
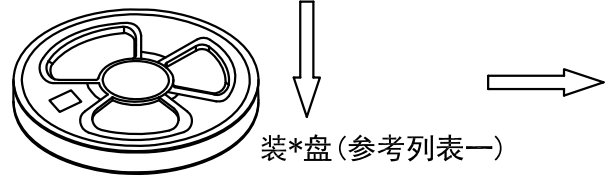
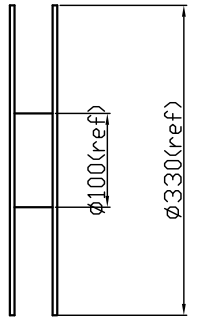
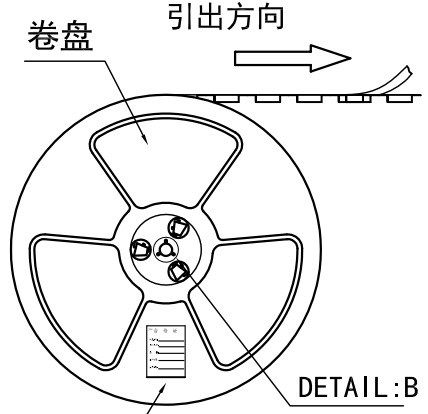
JKUN 温州健坤接插件有限公司 WENZHOU JKUN CONNECTOR CO., LTD.			TITLE: T2004A	
X.± 0.5	X.±'	USE: MANUFACTURE	PART NO.:	
.X± 0.3	.X±'	APPD: 朱志刚	T2004A包装规范	
.XX±0.25	.XX±'	CHKD: 蒋建银	DWG NO.:	
--	--	DR: 程永海	JKUN-GCKH-0904	
⊕	◁	UNITS: mm	SCALE 1 : 1	SHEET 1 / 1

A B C D E F

REV	ECN No.	DESCRIPTION	DESIGN	DATE
A		Release	程永海	2022.09.05



(PET膜剥离示意图)



包装说明:  
 1. 把成品包入卷盘中, 每盘装300PCS, 卷盘上贴上合格证, 将装好产品的卷盘放进外箱中, 外箱内先套一个大PE袋, 外箱上贴贴上合格证。  
 2. 所有材料有害物控制需符合RoHS标准。

列表一

Circuits	DIM. D	DIM. E	Q'ty/Reel	Packing (Reel/Caton)
2*9~211 PIN	20.25	44	300PCS	8/Reel

JKUN 温州健坤接插件有限公司 WENZHOU JKUN CONNECTOR CO., LTD.			TITLE: T2004AWD	
X.± 0.5	X.±'	USE: MANUFACTURE	PART NO.: T2004AWD包装规范	
.X± 0.3	.X±'	APPD: 邵敬和	DWG NO.: JKUN-GCKH-0905	
.XX±0.25	.XX±'	CHKD: 蒋建银	SCALE 1 : 1	
--	--	DR: 程永海	SHEET 1 / 1	
UNITS: mm				

A B C D E F