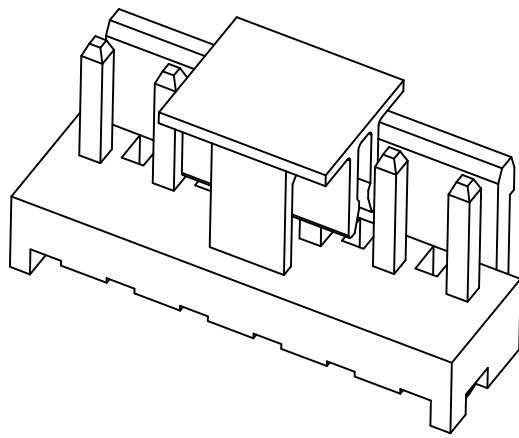
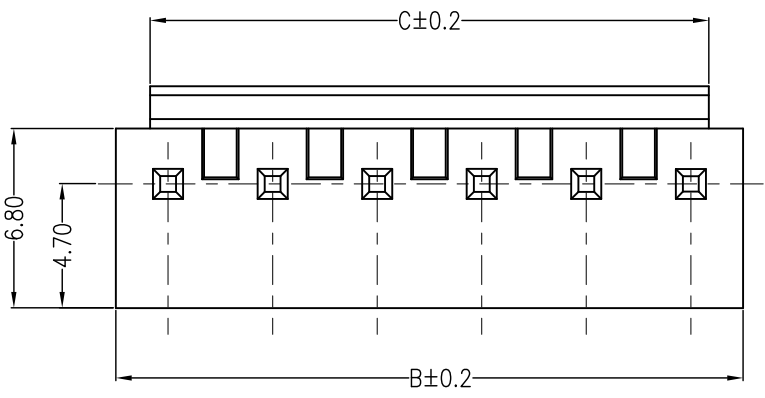
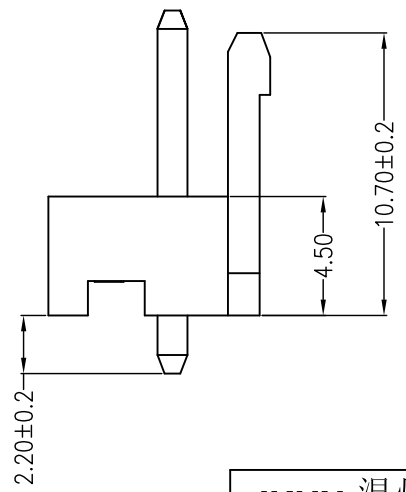
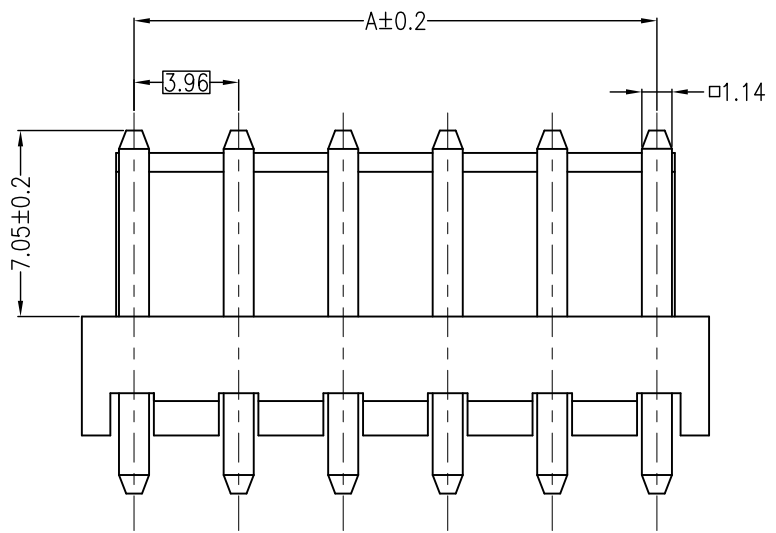


REV	DESCRIPTION	DESIGN	DATE
A	NEW RELEASE	Lingqing	2021/03/17



**Specifications:**  
 Contact resistance: ≤20mΩ  
 Insulation resistance: ≥1000MΩ  
 Rated voltage: 250V AC DC  
 Rated current: 7.0A AC DC  
 Withstand Voltage: 1000V AC/minute  
 Temperature Range: -40°C ~ +105°C  
 Housing: LCP UL94V-0, Natural  
 CAP: LCP UL94V-0, Natural  
 Contacts: Brass Sn-plated

Circuits	Dimensions (mm)		
	A	B	C
02	3.96	7.92	5.32
03	7.92	11.88	9.28
04	11.88	15.84	13.24
05	15.84	19.80	17.20
06	19.80	23.76	21.16
07	23.76	27.72	25.12
08	27.72	31.68	29.08

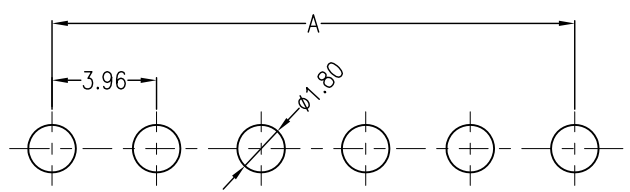


**ORDER INFORMATION:**

T3966A-\*\*-F2MA2-R-X

PART No. \_\_\_\_\_  
 No. OF CIRCUITS: \_\_\_\_\_  
 PLASTIC MATERIAL: \_\_\_\_\_  
 F2M=LCP(BEIGE)

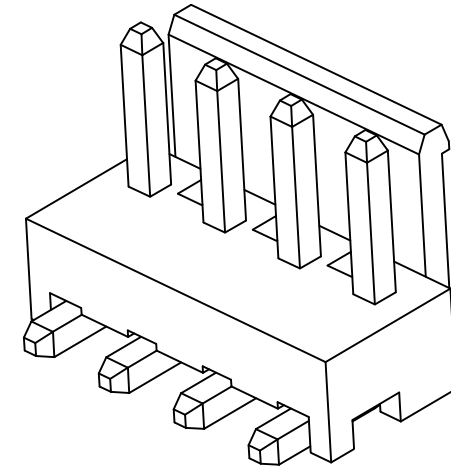
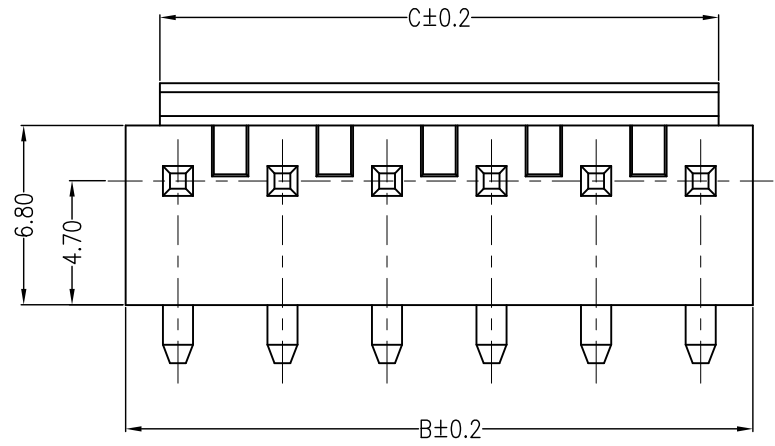
CAP \_\_\_\_\_  
 PACKAGING: \_\_\_\_\_  
 R=REEL \_\_\_\_\_  
 P=PE \_\_\_\_\_  
 Metal code: \_\_\_\_\_  
 2=Brass \_\_\_\_\_  
 PLATING: \_\_\_\_\_  
 A=Sn \_\_\_\_\_



**RECOMMENDED PCB LAYOUT(TOP VIEW)**  
 TOLERANCE: ±0.05mm

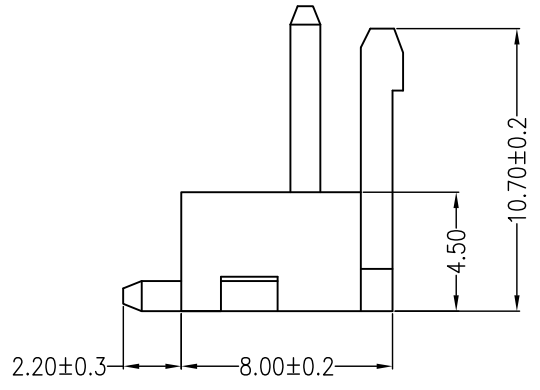
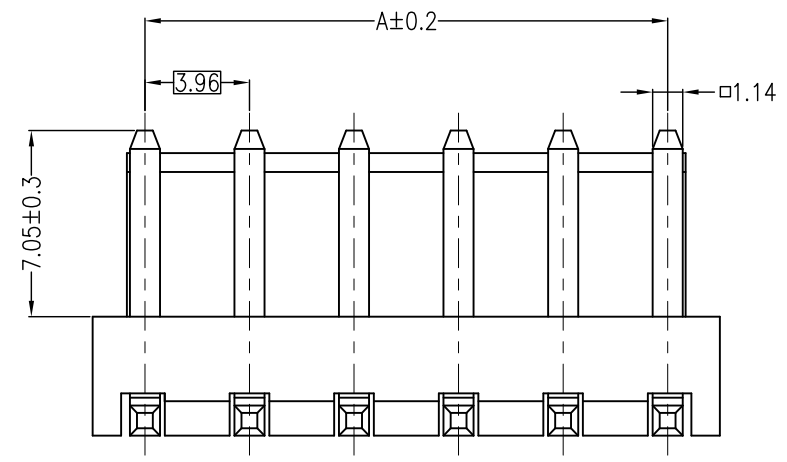
<b>JKUN</b> 温州健坤接插件有限公司 WENZHOU JKUN CONNECTOR CO.,LTD.		TITLE: 3.96 Pitch Wafer 180° SMT	
GENERAL TOLERANCE		USE: CUSTOMER	PART NO.:
X. ±0.50	X. ±5°	APPD: Shaojinghe	T3966A-**-F2MA2-R-X
X.X ±0.30	X.X ±2°	CHKD: Fangsongle	DWG NO.:
X.XX ±0.20	X.XX ±1°	DR: Zenglingqing	JKUN-GCKH-0909
UNITS: mm	SCALE 1 : 1	SHEET 1 / 1	

REV	DESCRIPTION	DESIGN	DATE
A	NEW RELEASE	Lingqing	2021/03/17

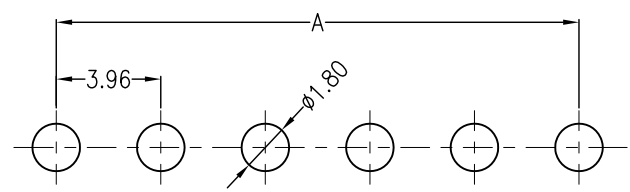
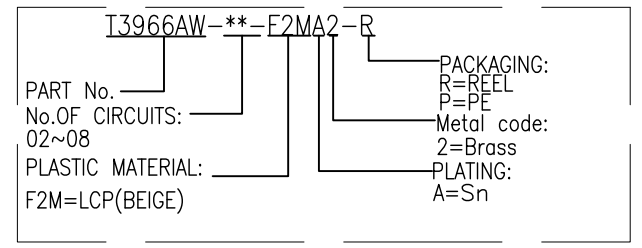


**Specifications:**  
 Contact resistance: ≤20mΩ  
 Insulation resistance: ≥1000MΩ  
 Rated voltage: 250V AC DC  
 Rated current: 7.0A AC DC  
 Withstand Voltage: 1000V AC/minute  
 Temperature Range: -40°C ~ +105°C  
 Housing: LCP UL94V-0, Natural  
 Contacts: Brass /Sn

Circuits	Dimensions (mm)		
	A	B	C
02	3.96	7.92	5.32
03	7.92	11.88	9.28
04	11.88	15.84	13.24
05	15.84	19.80	17.20
06	19.80	23.76	21.16
07	23.76	27.72	25.12
08	27.72	31.68	29.08



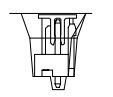
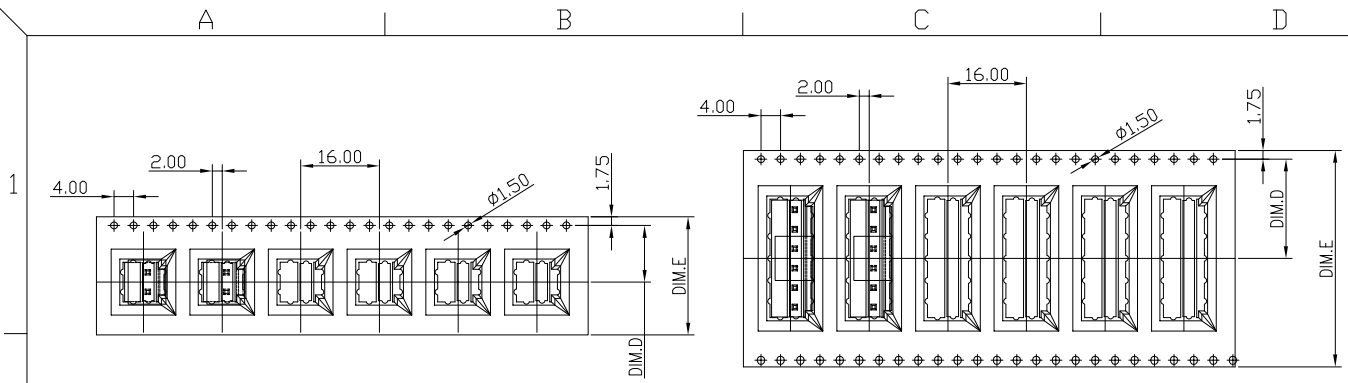
**ORDER INFORMATION:**



RECOMMENDED PCB LAYOUT(TOP VIEW)  
 TOLERANCE: ±0.05mm

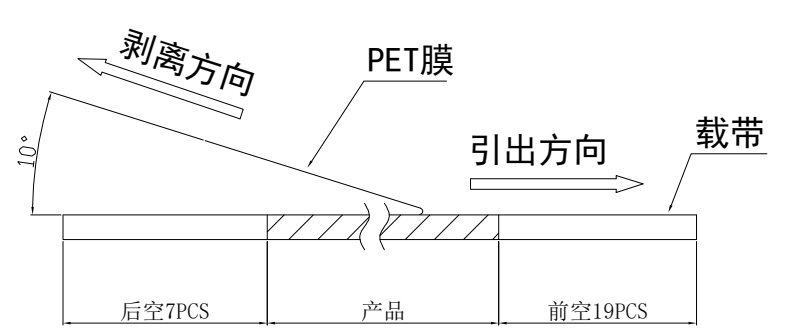
JKUN 温州健坤接插件有限公司 WENZHOU JKUN CONNECTOR CO.,LTD.		TITLE: 3.96 Pitch Wafer 180° SMT	
GENERAL TOLERANCE		USE:	PART NO.:
X. ±0.50	X. ±5°	CUSTOMER	T3966AW-**-F2MA2-R
X.X ±0.30	X.X ±2°	APPD: Shaojinghe	DWG NO.:
X.XX ±0.20	X.XX ±1°	CHKD: Fangsongle	JKUN-GCKH-0909
UNITS: mm		DR: Zenglingqing	SCALE 1 : 1
			SHEET 1 / 1

REV	ECN No.	DESCRIPTION	DESIGN	DATE
A		Release	程永海	2022.08.31

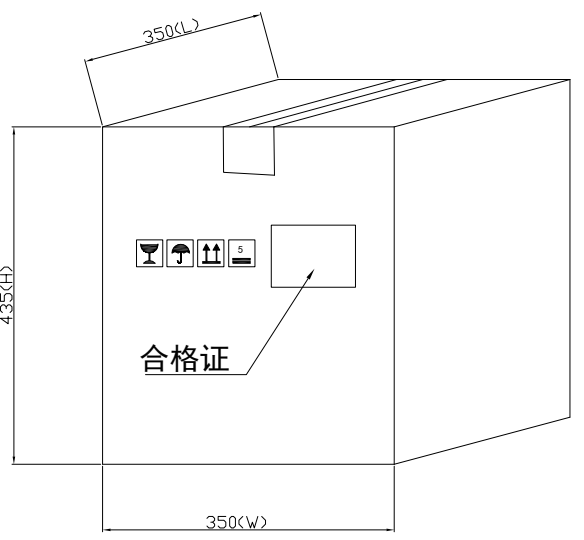
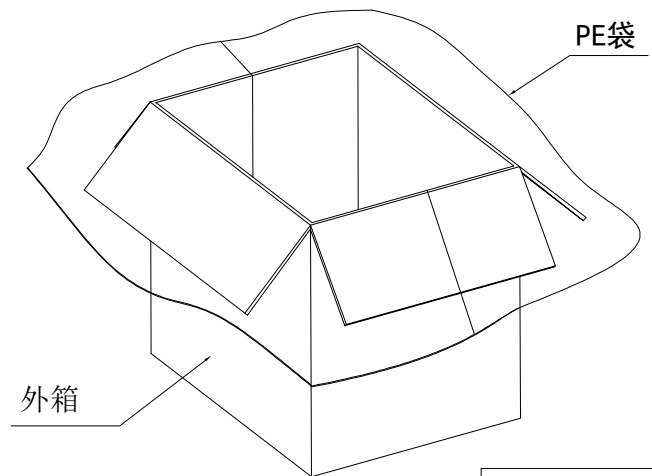
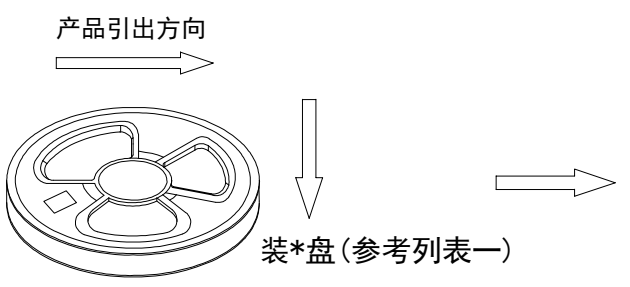
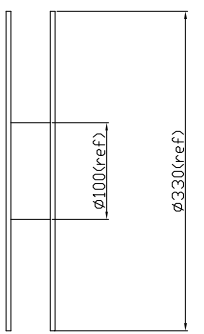
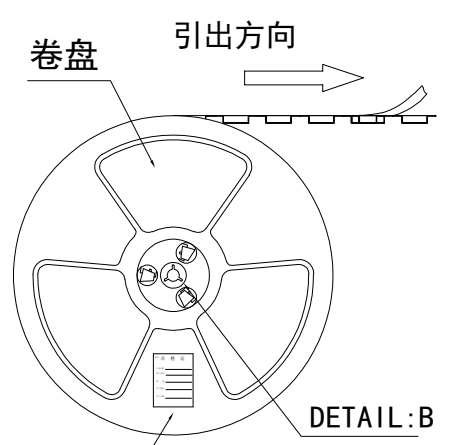


02~04 CONTACTS

05~06 CONTACTS



(PET膜剥离示意图)



列表一

Circuits	DIM. D	DIM. E	Q'ty/Reel	Packing (Reel/Caton)
02-03PIN	11.5	24	250PCS	15/Reel
04PIN	14.25	32	250PCS	11/Reel
05-06PIN	20.2	44	250PCS	8/Reel

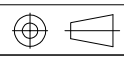
包装说明:

- 把成品包入卷盘中，每盘装250PCS，卷盘上贴上合格证，将装好产品的卷盘放进外箱中，外箱内先套一个大PE袋，外箱上贴贴上合格证。
- 所有材料有害物控制需符合RoHS标准。

JKUN 温州健坤接插件有限公司  
WENZHOU JKUN CONNECTOR CO., LTD.

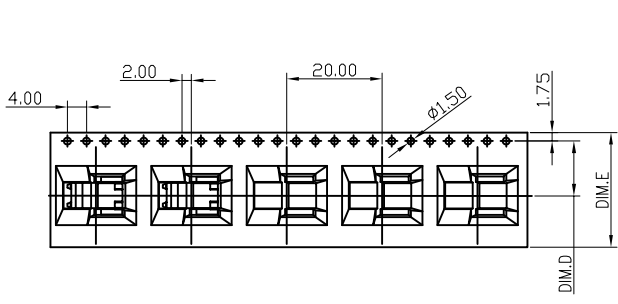
X.± 0.5	X.±'	USE: MANUFACTURE APPD: 朱志剛 CHKD: 蒋建银 DR: 程永海
.X± 0.3	.X±'	
.XX± 0.25	.XX±'	
--	--	

TITLE: T3966A	
PART NO.: T3966A包装规范	
DWG NO.: JKUN-GCKH-0909	
SCALE: 1:1	SHEET: 1/1

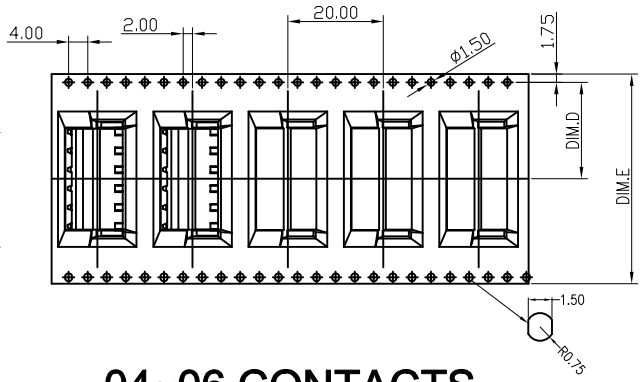


UNITS: mm

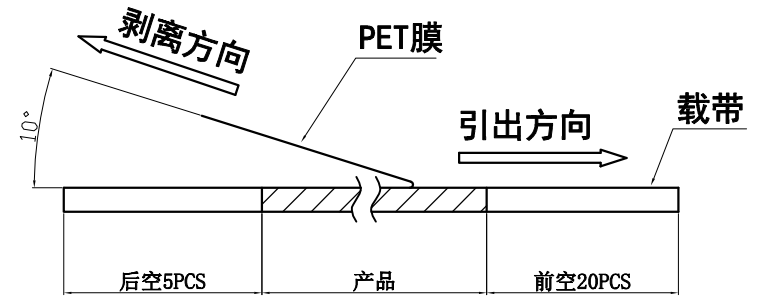
REV	ECN No.	DESCRIPTION	DESIGN	DATE
A		Release	程永海	2023.02.24



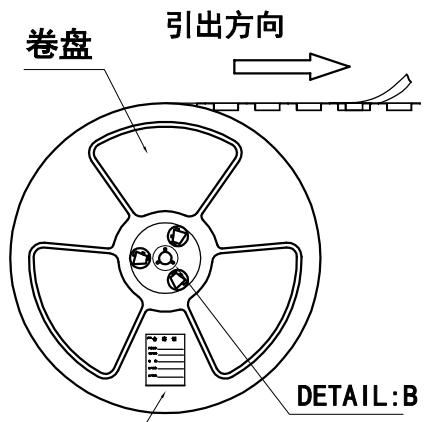
02~03 CONTACTS



04~06 CONTACTS

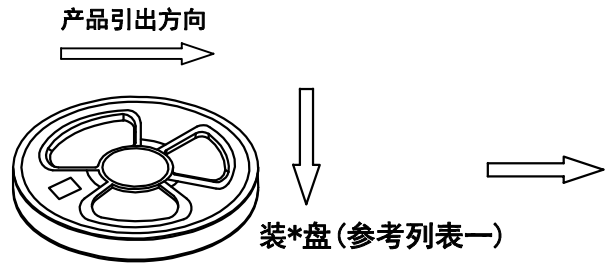


(PET膜剥离示意图)

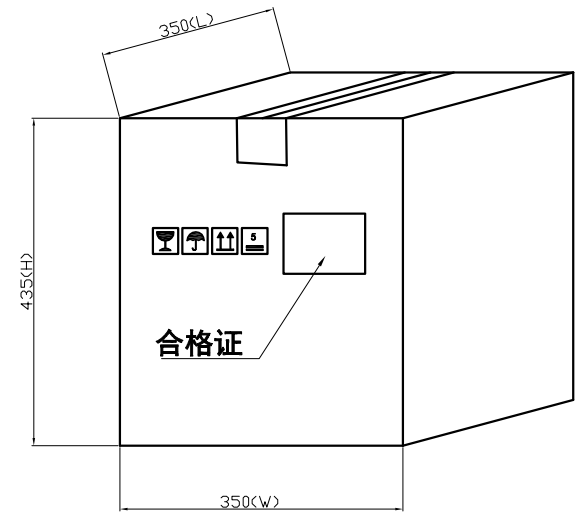
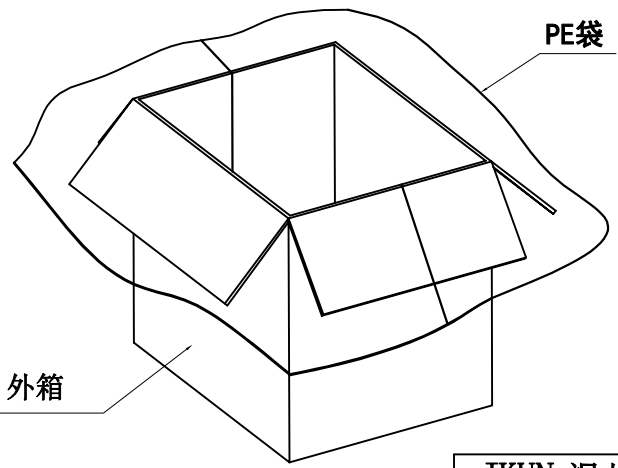


合格证

DETAIL:B



装\*盘(参考列表一)



列表一

Circuits	DIM. D	DIM. E	Q'ty/Reel	Packing (Reel/Caton)
02-03PIN	11.5	24	250PCS	15/Reel
04PIN	14.25	32	250PCS	11/Reel
05-06PIN	20.2	44	250PCS	8/Reel

包装说明:

- 把成品包入卷盘中, 每盘装250PCS, 卷盘上贴上合格证, 将装好产品的卷盘放进外箱中, 外箱内先套一个大PE袋, 外箱上贴贴上合格证。
- 所有材料有害物控制需符合RoHS标准。

JKUN 温州健坤接插件有限公司 WENZHOU JKUN CONNECTOR CO., LTD.			TITLE: T3966AW	
X.± 0.5	X.±*	USE: MANUFACTURE	PART NO.:	
.X± 0.3	.X±*	APPD: 朱志刚	T3966AW包装规范	
.XX±0.25	.XX±*	CHKD: 蒋建银	DWG NO.:	
--	--	DR: 程永海	JKUN-GCKH-0973	
UNITS: mm		SCALE 1 : 1	SHEET 1 / 1	