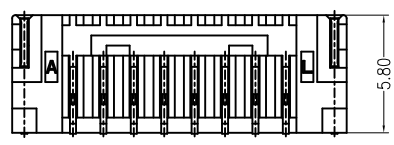
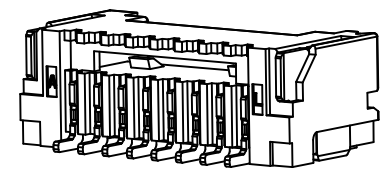
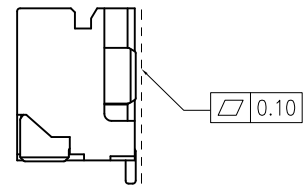
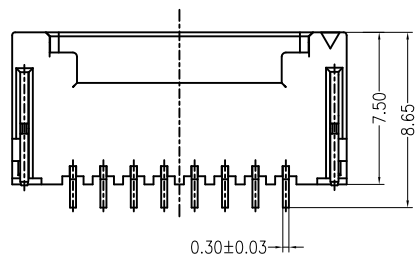
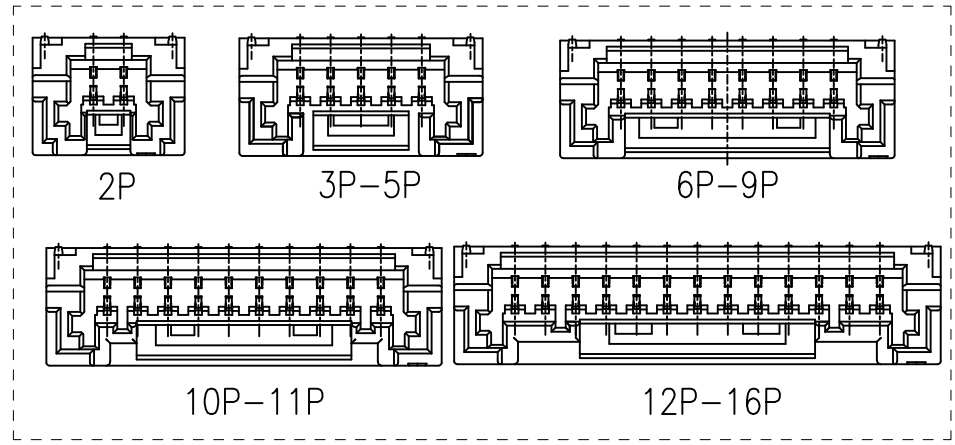
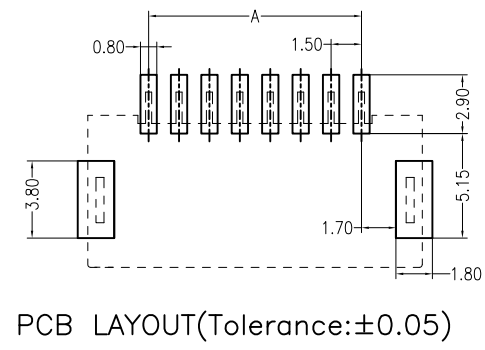
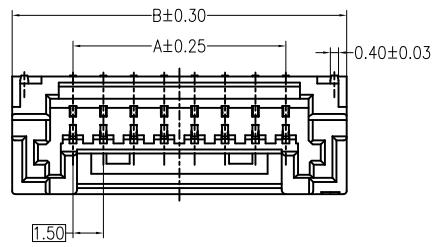


REV	DESCRIPTION	DESIGN	DATE
A	NEW RELEASE	FangSongLe	2020/08/07



Specifications:
 Poles: 02 to 16
 Contact resistance: ≤20mΩ
 Insulation resistance: ≥500MΩ
 Rated voltage: 100V AC DC
 Rated current: 2.0A AC DC
 Withstand Voltage: 500V AC/minute
 Temperature Range: -25°C ~ +85°C
 Housing: PA9T UL94V-0, Natural
 Contacts: PhosphorBronze/ Sn-plated
 Solder tabs: Brass/ Sn-plated

ORDER INFORMATION:

A1507AWR--D1MA1-R**

PART No.:	PACKAGING:
No. OF CIRCUITS:	R=REEL
02-16P	Metal code:
PLASTIC MATERIAL:	1=PhosphorBronze
D1M=PA9T	PLATING:
	A= Sn

PIN.	DIM A	DIM B	PIN.	DIM A	DIM B
2pin	1.50	7.50	10pin	13.50	19.50
3pin	3.00	9.00	*11pin	15.00	21.00
4pin	4.50	10.50	*12pin	16.50	22.50
5pin	6.00	12.00	*13pin	18.00	24.00
6pin	7.50	13.50	*14pin	19.50	25.50
7pin	9.00	15.00	*15pin	21.00	27.00
8pin	10.50	16.50	*16pin	22.50	28.50
9pin	12.00	18.00			

JKUN 温州健坤接插件有限公司 WENZHOU JKUN CONNECTOR CO.,LTD.		TITLE: 1.50 Pitch Wafer 90° SMT	
GENERAL TOLERANCE		USE:	PART NO.:
X. ±0.50	X. ±5°	CUSTOMER	A1507AWR-**-D1MA1-R
X.X ±0.30	X.X ±2°	APPD:	DWG NO.:
X.XX ±0.20	X.XX ±1°	Liuzhengling	JKUN-GCKH-0851
⊕	UNITS: mm	CHKD: Steven	SCALE
		DR: FangSongLe	1 : 1
			SHEET
			1 / 1

A

B

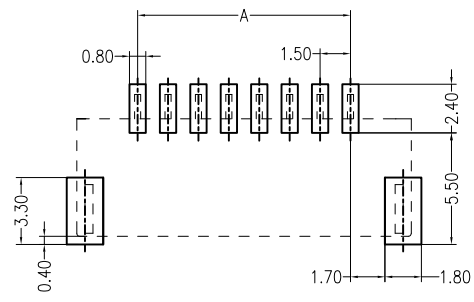
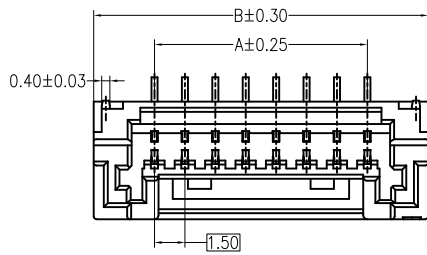
C

D

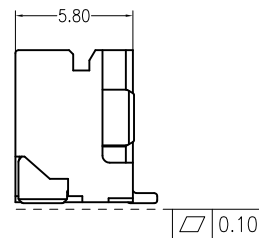
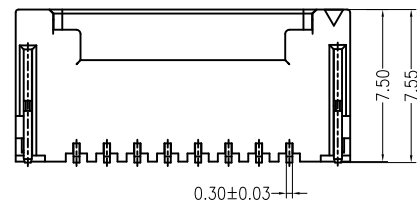
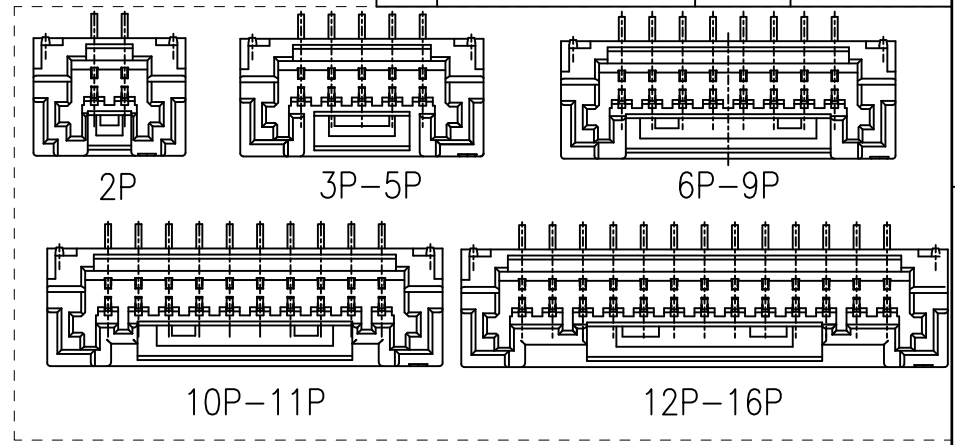
E

F

REV	DESCRIPTION	DESIGN	DATE
A	NEW RELEASE	FangSongLe	2020/08/07



PCB LAYOUT(Tolerance:±0.05)



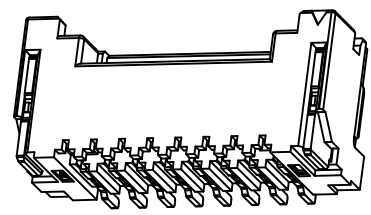
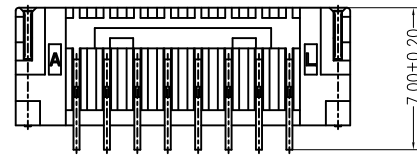
Specifications:

- Poles: 02 to 16
- Contact resistance: ≤20mΩ
- Insulation resistance: ≥500MΩ
- Rated voltage: 100V AC DC
- Rated current: 2.0A AC DC
- Withstand Voltage: 500V AC/minute
- Temperature Range: -25°C~ +85°C
- Housing: PA9T UL94V-0, Natural
- Contacts: PhosphorBronze/ Sn-plated
- Solder tabs: Brass/ Sn-plated

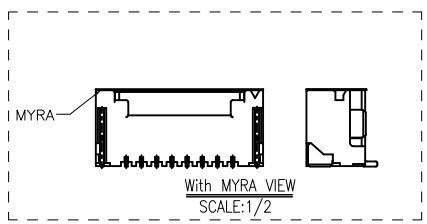
ORDER INFORMATION:

A1507AWV--D1MA1-R-M**

PART No.		M:MYRA
No.OF CIRCUITS:		PACKAGING:
02-16P		R=REEL
PLASTIC MATERIAL:		Metal code:
D1M=PA9T		1=PhosphorBronze
		PLATING:
		A= Sn



PIN.	DIM A	DIM B	PIN.	DIM A	DIM B
2pin	1.50	7.50	10pin	13.50	19.50
3pin	3.00	9.00	*11pin	15.00	21.00
4pin	4.50	10.50	*12pin	16.50	22.50
5pin	6.00	12.00	*13pin	18.00	24.00
6pin	7.50	13.50	*14pin	19.50	25.50
7pin	9.00	15.00	*15pin	21.00	27.00
8pin	10.50	16.50	*16pin	22.50	28.50
9pin	12.00	18.00			



JKUN 温州健坤接插件有限公司 WENZHOU JKUN CONNECTOR CO.,LTD.		TITLE: 1.50 Pitch Wafer 180° SMT	
GENERAL TOLERANCE		USE: CUSTOMER	PART NO.:
X. ±0.50	X. ±5°	APPD: Liuzhengling	A1507AWV-**-D1MA1-R-M
X.X ±0.30	X.X ±2°	CHKD: Steven	DWG NO.:
X.XX ±0.20	X.XX ±1°	DR: FangSongLe	JKUN-GCKH-0852
UNITS: mm		SCALE 1 : 1	SHEET 1 / 1

A

B

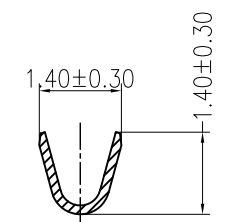
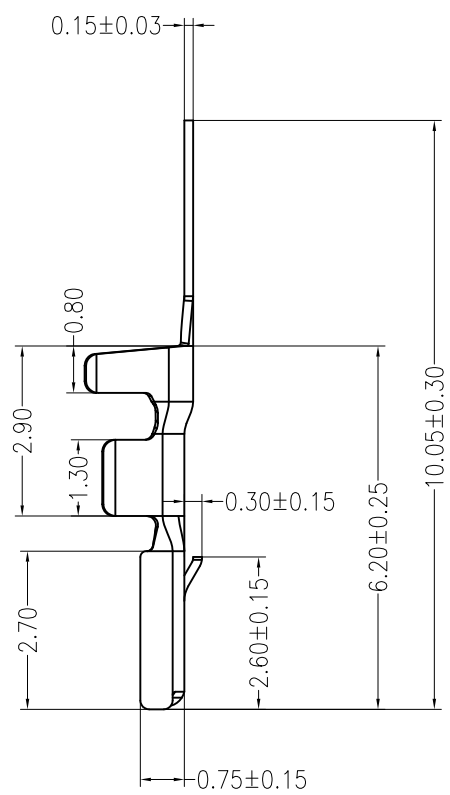
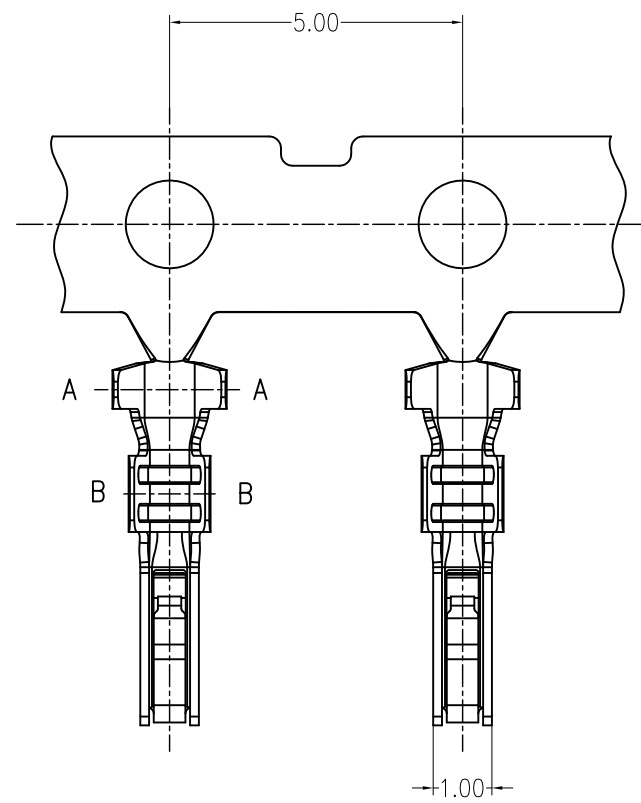
C

D

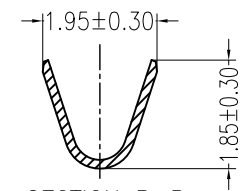
E

F

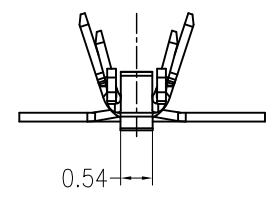
REV	DESCRIPTION	DESIGN	DATE
A	NEW RELEASE	Fangsongle	2021/03/19



SECTION A-A



SECTION B-B

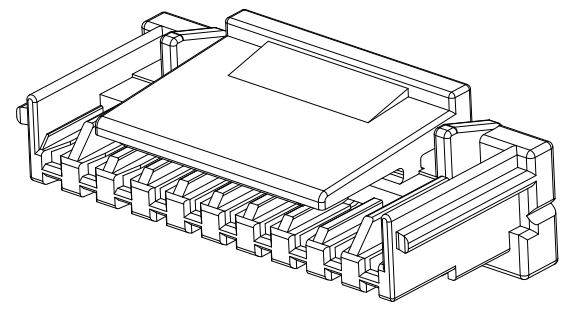


Ordering Information & Specification:

Part No	Wire Range	Insulation O.D.	Material	Finish	Qty/Reel
A1507T-01端子	AWG #28~#24	0.80~1.20mm	Phosphor bronze	Sn-plated	

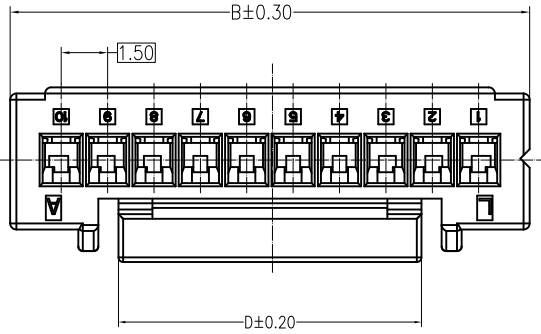
JKUN 温州健坤接插件有限公司 WENZHOU JKUN CONNECTOR CO.,LTD.			TITLE: 1.5mm Terminal		
GENERAL TOLERANCE		USE:		PART NO.:	
X. ±0.50	X. ±5°	CUSTOMER		A1507T-01端子	
X.X ±0.30	X.X ±2°	APPD: Shaojinghe		DWG NO.:	
X.XX ±0.20	X.XX ±1°	CHKD: Zenglingqing		JKUN-GCDZ-0093	
UNITS: mm		DR: Fangsongle		SCALE 1 : 1	SHEET 1 / 1

REV	DESCRIPTION	DESIGN	DATE
A	NEW RELEASE	Fangsongle	2021/03/19

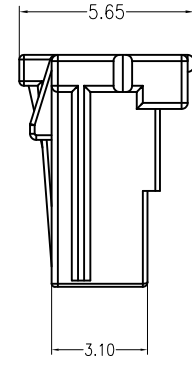
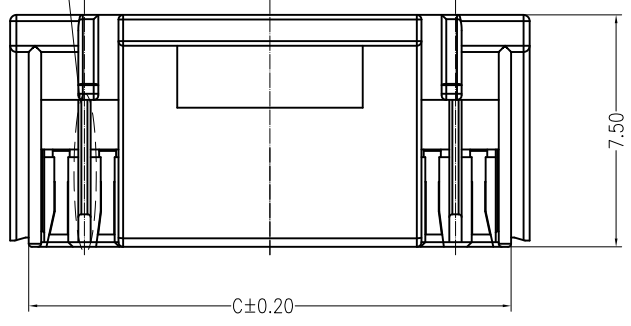


Specifications:

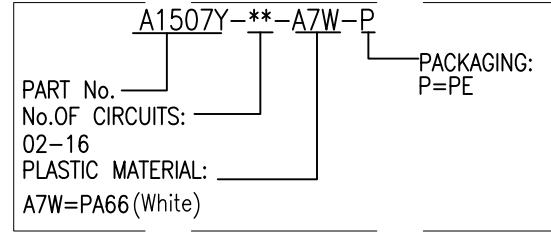
Contact resistance: $\leq 20m\Omega$
 Insulation resistance: $\geq 500M\Omega$
 Rated voltage: 100V AC DC
 Rated current: 2.0A AC DC
 Withstand Voltage: 500V AC/minute
 Temperature Range: $-25^{\circ}C \sim +85^{\circ}C$
 Housing: PA66 UL94V-0, White



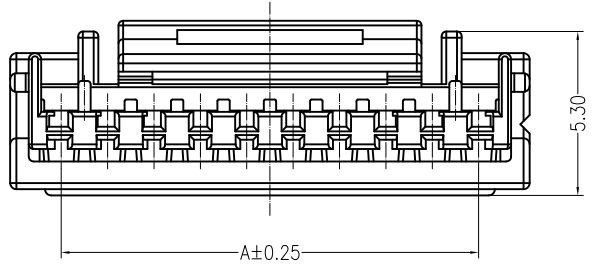
10P以下
无此凸台



ORDER INFORMATION:

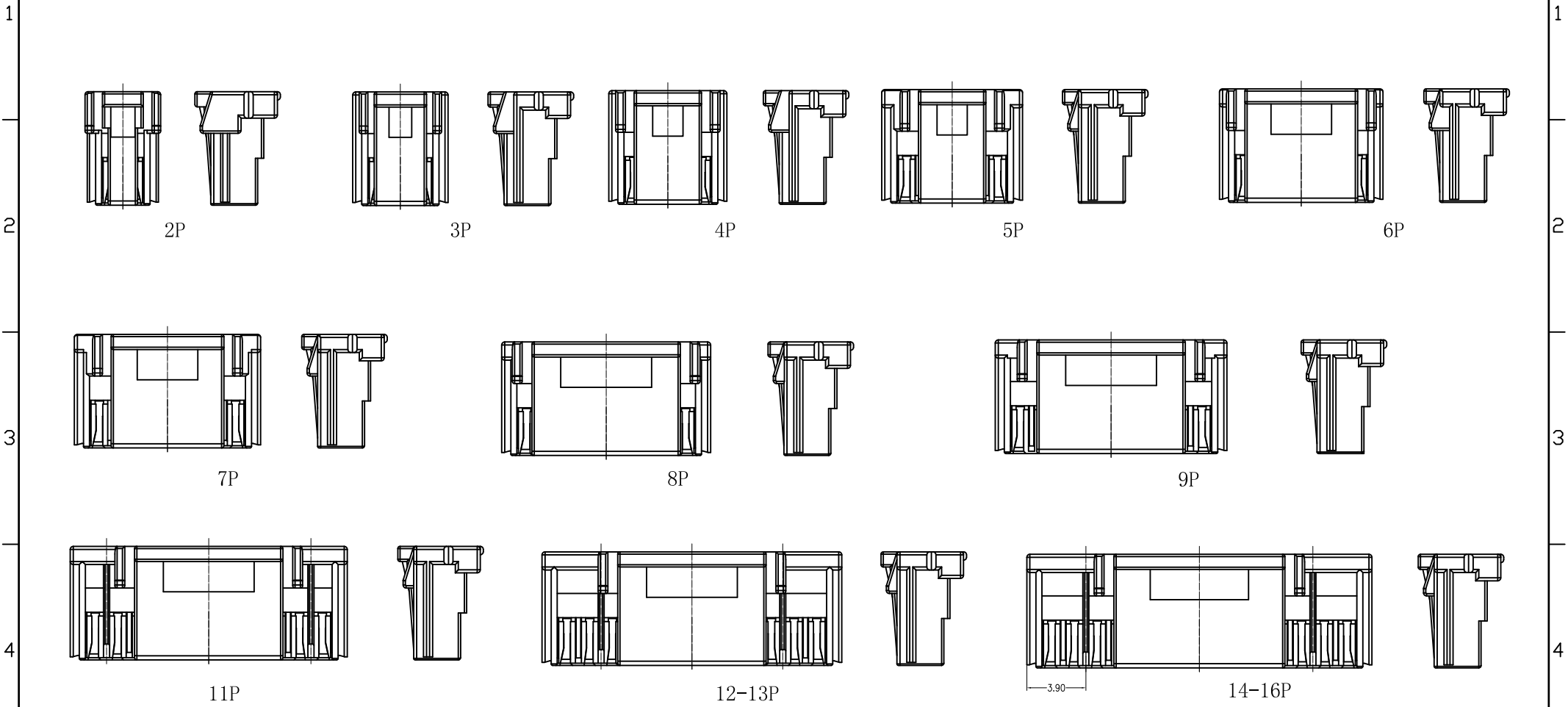


PIN	DIM A	DIM B	DIM C	DIM D
2pin	1.50	5.00	3.60	2.70
3pin	3.00	6.30	5.10	3.45
4pin	4.50	7.80	6.60	4.45
5pin	6.00	9.30	8.10	4.45
6pin	7.50	10.80	9.60	7.45
7pin	9.00	12.30	11.10	7.45
8pin	10.50	13.80	12.60	9.80
9pin	12.00	15.30	14.10	9.80
10pin	13.50	16.80	15.60	9.80
11pin	15.00	18.30	17.10	9.80
12pin	16.50	19.80	18.60	9.80
13pin	18.00	21.30	20.10	11.30
14pin	19.50	22.80	21.60	11.30
15pin	21.00	24.30	23.10	11.30
16pin	21.00	25.80	24.60	11.30



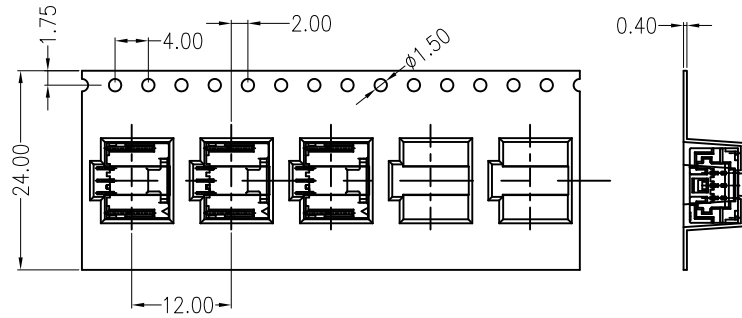
JKUN 温州健坤接插件有限公司 WENZHOU JKUN CONNECTOR CO.,LTD.		TITLE: 1.5mm housing	
GENERAL TOLERANCE		USE: CUSTOMER	PART NO.:
X. ± 0.50	X. $\pm 5^{\circ}$	APPD: Shaojinghe	A1507Y-**-A7W-P
X.X ± 0.30	X.X $\pm 2^{\circ}$	CHKD: Zenglingqing	DWG NO.:
X.XX ± 0.20	X.XX $\pm 1^{\circ}$	DR: Fangsongle	JKUN-GCKH-0910
UNITS: mm		SCALE 1 : 1	SHEET 1 / 2

REV	DESCRIPTION	DESIGN	DATE
A	NEW RELEASE	Fangsongle	2021/03/19

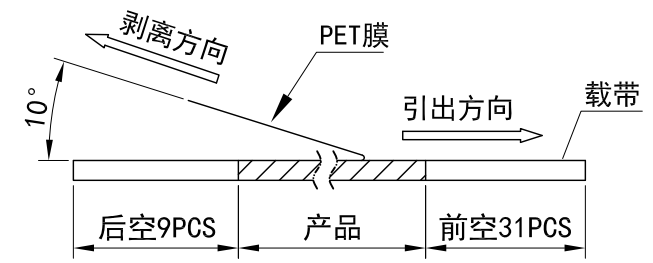


JKUN 温州健坤接插件有限公司 WENZHOU JKUN CONNECTOR CO.,LTD.		TITLE: 1.5mm housing	
GENERAL TOLERANCE		USE: CUSTOMER	PART NO.:
X. ±0.50	X. ±5°	APPD: Shaojinghe	A1507Y-**-A7W-P
X.X ±0.30	X.X ±2°	CHKD: Zenglingqing	DWG NO.:
X.XX ±0.20	X.XX ±1°	DR: Fangsongle	JKUN-GCKH-0910
UNITS: mm		SCALE 1 : 1	SHEET 2 / 2

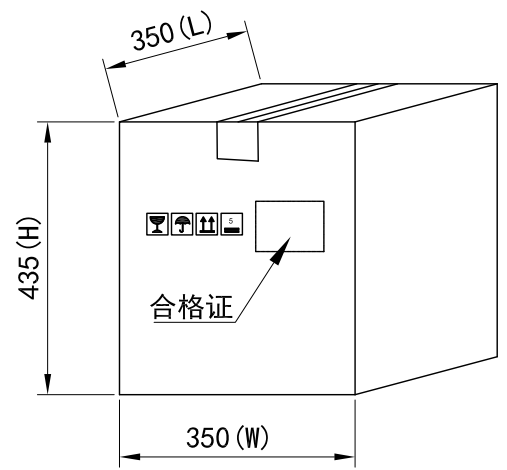
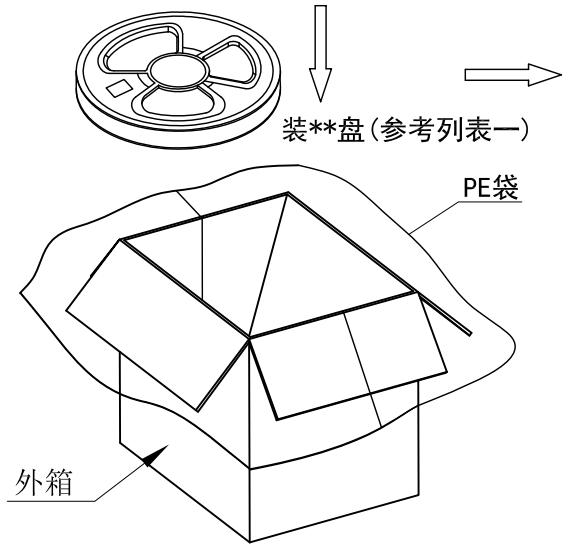
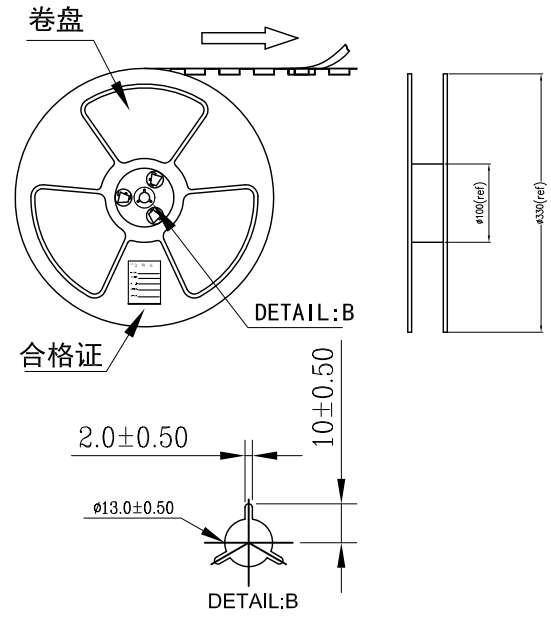
REV	ECN No.	DESCRIPTION	DESIGN	DATE
A		Release	蒋建银	2020.11.17



02~05 CONTACTS



(PET膜剥离示意图)



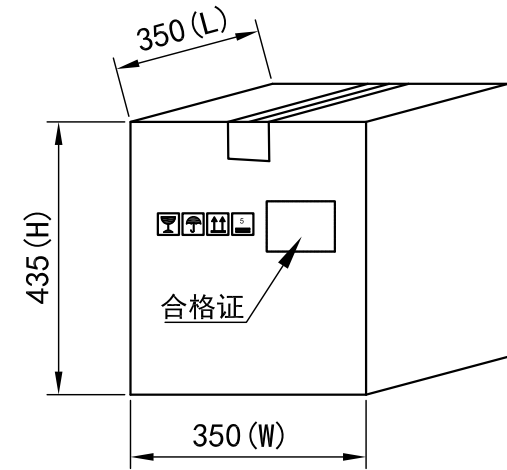
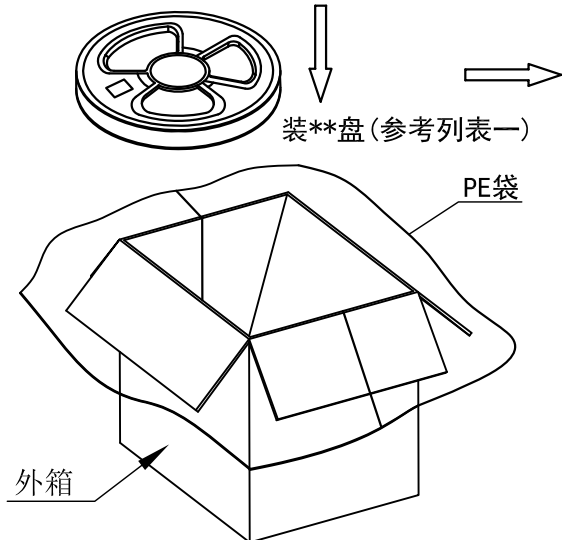
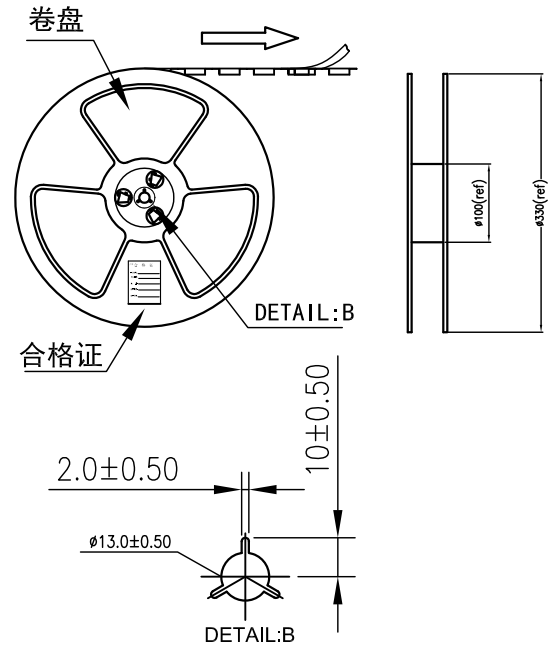
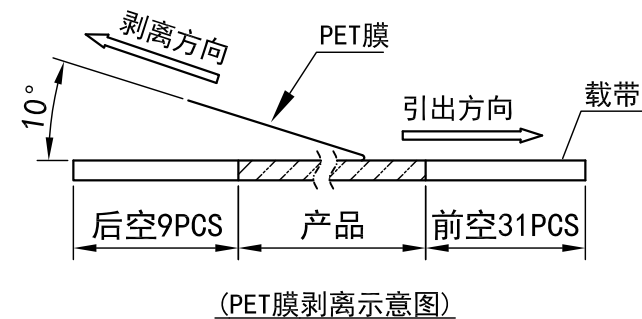
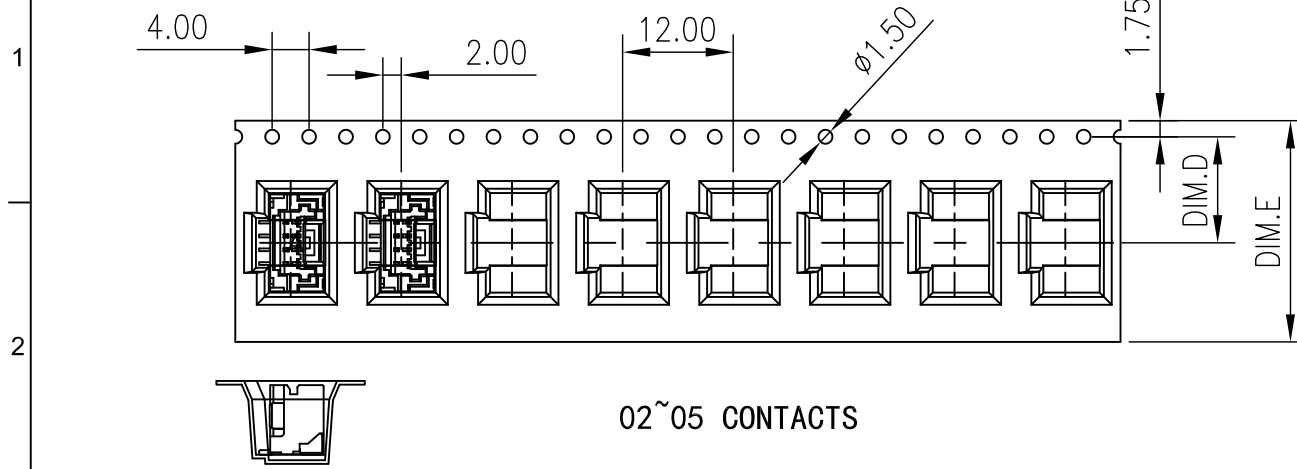
- 包装说明:
- 把成品包入卷盘中, 每盘装800PCS, 卷盘上贴上合格证, 将装好产品的卷盘放进外箱中, 外箱内先套一个大PE袋, 外箱上贴贴上合格证.
 - 所有材料有害物控制需符合RoHS标准.

列表一

Circuits	DIM. D	DIM. E	Q'ty/Reel	Packing (Reel/Caton)
02~05PIN	-	24	800PCS	15/Reel

JKUN 温州健坤接插件有限公司 WENZHOU JKUN CONNECTOR CO., LTD.			TITLE:	
X.± 0.5	X.±°	USE: CUSTOMER	PART NO.: A1507AWR-** 卷装规范	
.X± 0.3	.X±°	APPD: 王锋	DWG NO.: JKUN/GCBZ-0851	
.XX±0.25	.XX±°	CHKD: 曾令青	SCALE 1 : 1	
--	--	DR: 蒋建银	SHEET 1 / 1	
UNITS: mm				

REV	ECN No.	DESCRIPTION	DESIGN	DATE
A		Release	蒋建银	2020.11.17



列表一

Circuits	DIM. D	DIM. E	Q'ty/Reel	Packing (Reel/Caton)
02~05PIN	11.5	24	600PCS	15/Reel

- 包装说明:
- 把成品包入卷盘中, 每盘装600PCS, 卷盘上贴上合格证, 将装好产品的卷盘放进外箱中, 外箱内先套一个大PE袋, 外箱上贴贴上合格证.
 - 所有材料有害物控制需符合RoHS标准.

JKUN 温州健坤接插件有限公司 WENZHOU JKUN CONNECTOR CO., LTD.			TITLE:	
X.± 0.5	X.±*	USE: CUSTOMER	PART NO.: A1507AWV-** 卷装规范	
.X± 0.3	.X±*	APPD: 王锋	DWG NO.: JKUN/GCBZ-0852	
.XX±0.25	.XX±*	CHKD: 曾令青	SCALE 1 : 1	
—	—	DR: 蒋建银	SHEET 1 / 1	