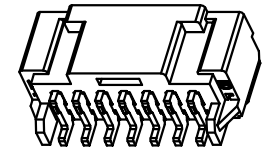
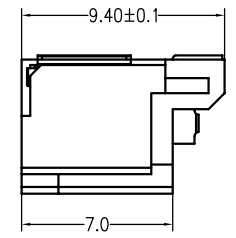
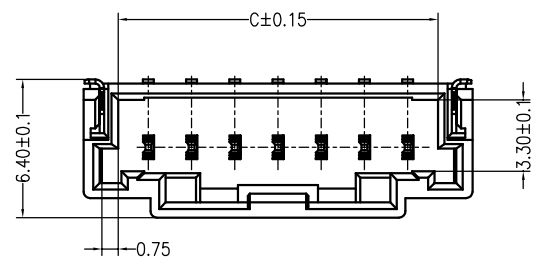
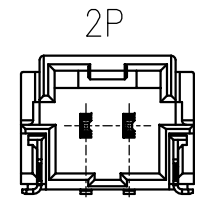
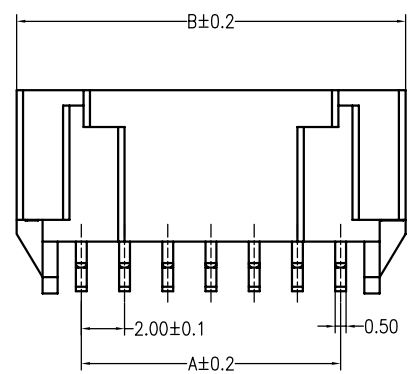
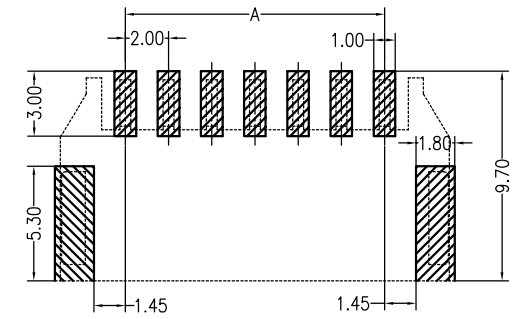


REV	ECN No.	DESCRIPTION	DESIGN	DATE
A0		Release	-	2018.08.03



PCB LAYOUT

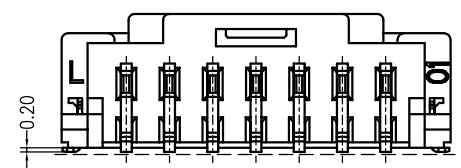
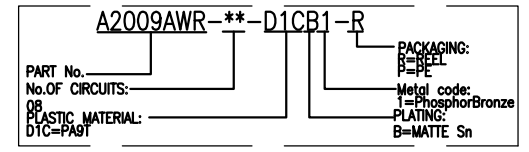


PIN.	DIM A	DIM B	DIM C
2pin	2.00	8.00	4.80
3pin	4.00	10.00	6.80
4pin	6.00	12.00	8.80
5pin	8.00	14.00	10.80
6pin	10.00	16.00	12.80
7pin	12.00	18.00	14.80
8pin	14.00	20.00	16.80
9pin	16.00	22.00	18.80
10pin	18.00	24.00	20.80
11pin	20.00	26.00	22.80
12pin	22.00	28.00	24.80
13pin	24.00	30.00	26.80
14pin	26.00	32.00	28.80
15pin	28.00	34.00	30.80

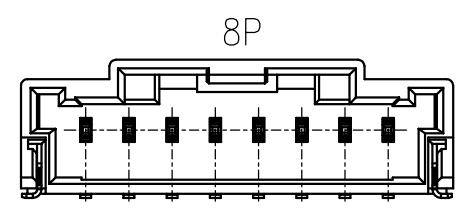
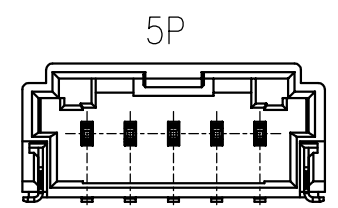
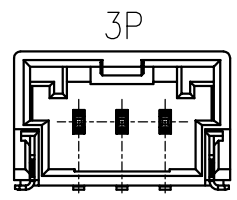
主要技术参数 Main Specifications

线 数 (Poles): 02 to 15  
 接触电阻 (Contact resistance):  $\leq 10m\Omega$   
 绝缘电阻 (Insulation resistance):  $\geq 1000M\Omega$   
 额定电压 (Rated voltage): 125V AC DC  
 额定电流 (Rated current): 3.0A AC DC  
 耐电压 (Withstand Voltage): 500V AC/minute  
 温度范围 (Temperature Range):  $-40^{\circ}C \sim +105^{\circ}C$

ORDER INFORMATION:



0.1



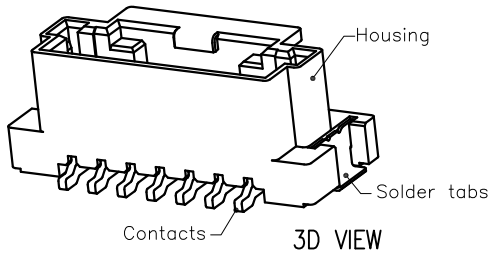
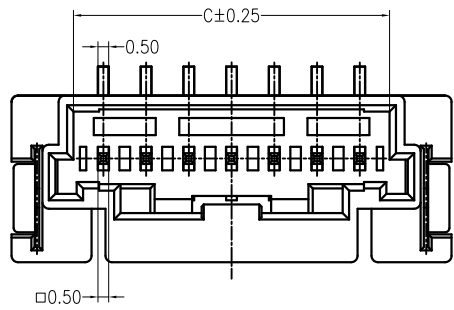
ITEM	COMPONENT	Q'TY	MATERIAL	FINISH
C	SOLDER TAB	2 PCS	PhosphorBronze	MATTE Sn-plated
B	CONTACT	2~15 PCS	PhosphorBronze	MATTE Sn-plated
A	HOUSING	1 PCS	PA9T	UL 94V-0, COLOR:BEIGE

JKUN 温州健坤接插件有限公司  
 WENZHOU JKUN CONNECTOR CO., LTD.

TITLE: A2009AWR  
 2.00mmPITCH 90°WAFER SMT TYPE

X.±0.5	X.±5'	USE:	PART NO.:
.X±0.3	.X±2'	CUSTOMER	A2009AWR-**-D1CB1-R
.XX±0.25	.XX±1'	APPD: 邵敬和	DWG NO.:
--	--	CHKD: 田峰	JKUN-GCCP-0777
⊕	◁	UNITS: mm	SCALE
		DR: 蒋建银	SHEET
			1 : 1
			1 / 1

REV	DESCRIPTION	DESIGN	DATE
A0	NEW RELEASE	FangSongLe	2019/05/28
A1	Add LCP materials	Jiangjianyin	2020/07/27



**Specifications:**

Contact resistance:  $\leq 10\text{m}\Omega$   
 Insulation resistance:  $\geq 1000\text{M}\Omega$   
 Rated voltage: 125V AC DC  
 Rated current: 3.0A AC DC  
 Withstand Voltage: 500V AC/minute  
 Temperature Range:  $-40^{\circ}\text{C} \sim +105^{\circ}\text{C}$   
 Housing: PA9T/LCP UL94V-0, Natural  
 Contacts: Phosphor Bronze/MATTE Sn  
 Solder Tabs: Brass/MATTE Sn

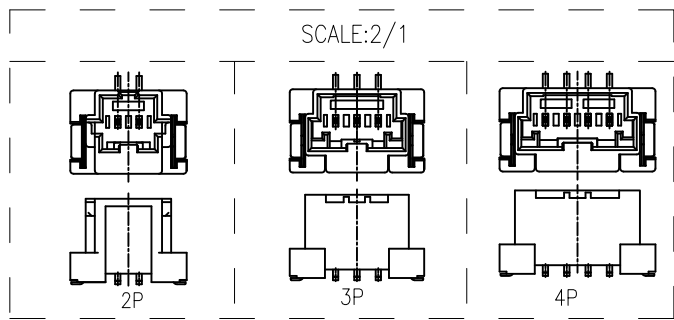
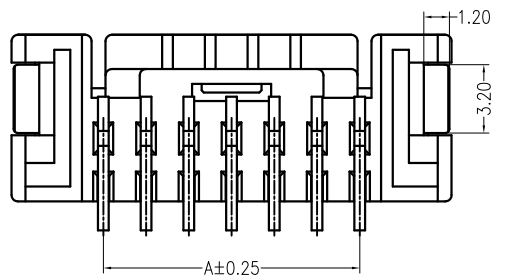
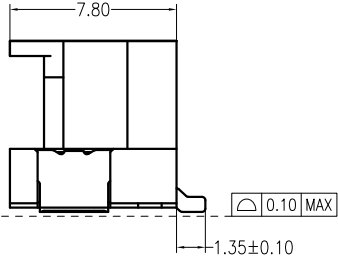
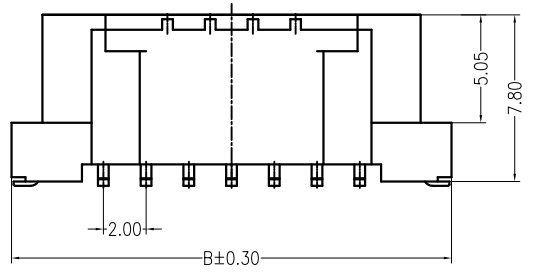
**ORDER INFORMATION:**

**A2009AW-\*\*-\*\*\*B1-R**

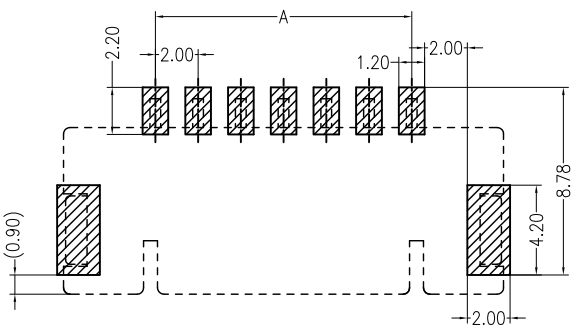
PART No. \_\_\_\_\_  
 No. OF CIRCUITS: \_\_\_\_\_  
 02-15  
 PLASTIC MATERIAL: \_\_\_\_\_  
 D1C=PA9T(NATURE)  
 F3M=LCP(NATURE)

PACKAGING:  
 R=REEL

Metal code:  
 1=PhosphorBronze  
 PLATING:  
 B=MATTE Sn



PIN	DIM A	DIM B	DIM C	PIN	DIM A	DIM B	DIM C
2	2.00	10.90	4.80	9	16.00	24.60	18.80
3	4.00	12.60	6.80	10	18.00	26.60	20.80
4	6.00	14.60	8.80	11	20.00	28.60	22.80
5	8.00	16.60	10.80	12	22.00	30.60	24.80
6	10.00	18.60	12.80	*13	24.00	32.60	26.80
7	12.00	20.60	14.80	*14	26.00	34.60	28.80
8	14.00	22.60	16.80	*15	28.00	36.60	30.80



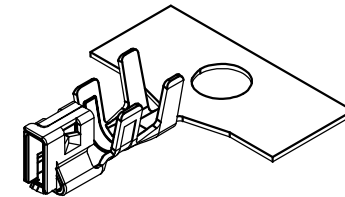
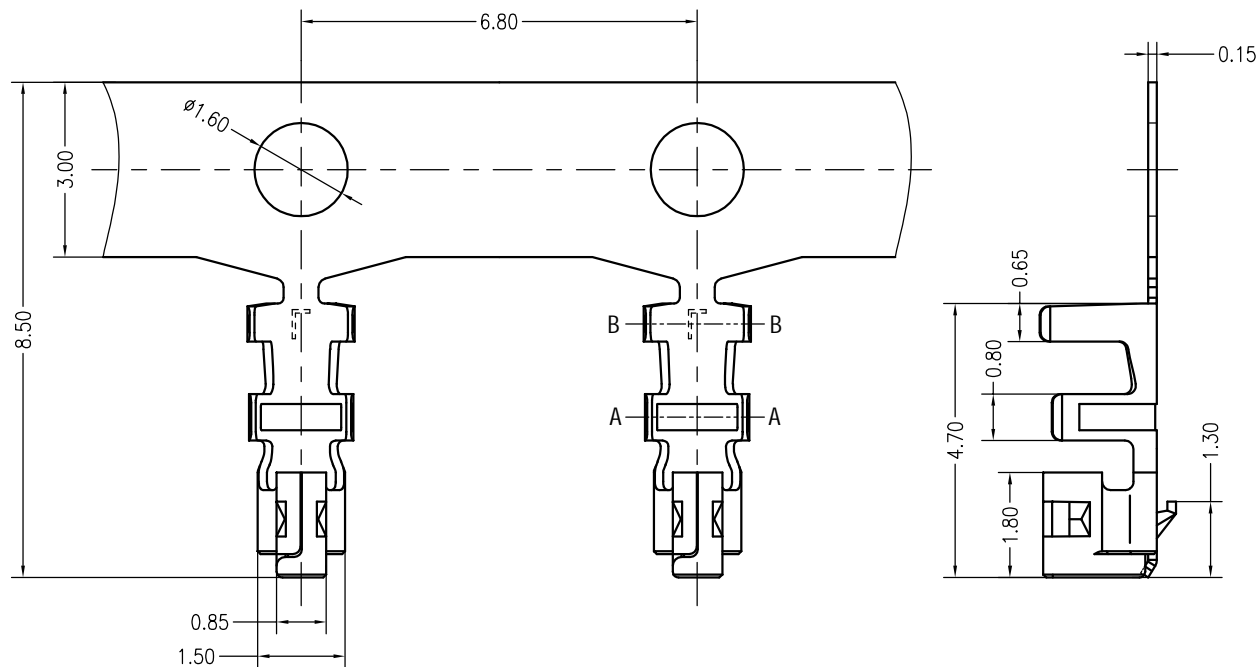
SUGGESTED PCB LAYOUT

**JKUN** 温州健坤接插件有限公司  
 WENZHOU JKUN CONNECTOR CO.,LTD.

TITLE:  
 2.0 Pitch Wafer 180° SMT

GENERAL TOLERANCE	USE:	CUSTOMER	PART NO.:	
X. ±0.50	X. ±5°		A2009AW-**-***B1-R	
X.X ±0.30	X.X ±2°		APPD: Steven	DWG NO.:
X.XX ±0.20	X.XX ±1°		CHKD: Liuzhengling	JKUN-GCKH-0820
	UNITS: mm	DR: FangSongLe	SCALE: 1:1	
			SHEET: 1/1	

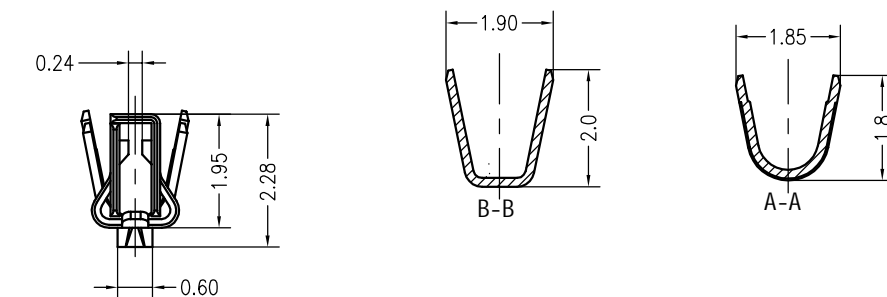
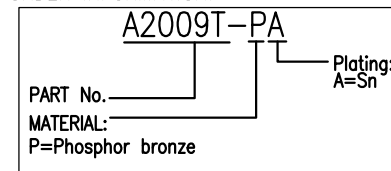
REV	ECN No.	DESCRIPTION	DESIGN	DATE
A0		NEW Release	方松乐	2019.05.13



**NOTES:**

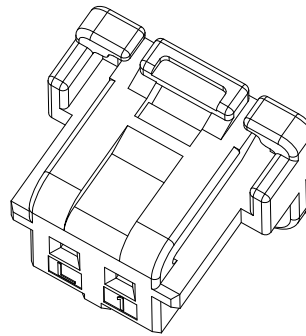
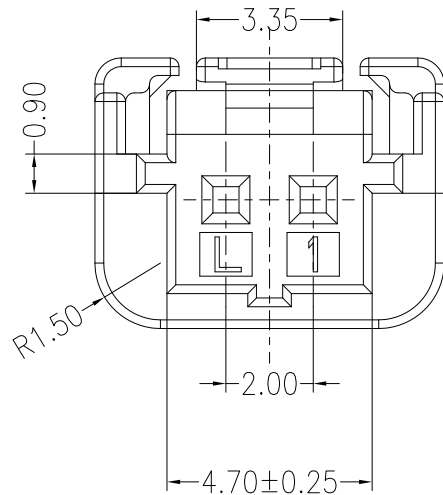
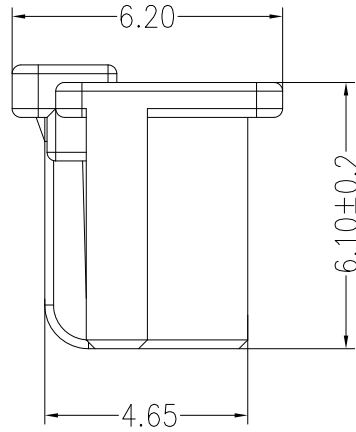
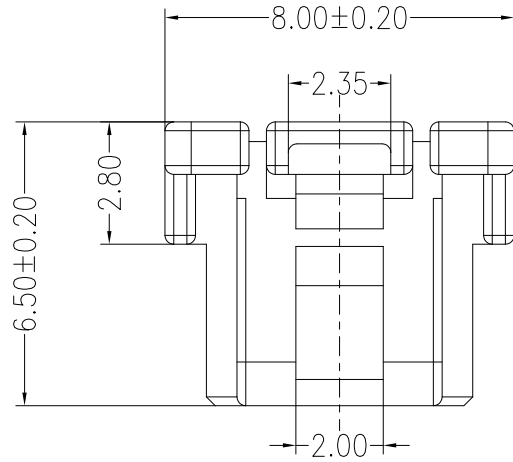
1. Material: Phosphor bronze C5191R-H, T=0.15mm
2. Plating: Sn 100-200u"
3. The surface of terminal should be smooth and smooth without burr and crack
- 4 Wire Range :AWG #22-#26
- 5 Insulation Range:  $\phi 1.4$  Max

**ORDER INFORMATION:**



<b>JKUN</b> 温州健坤接插件有限公司 WENZHOU JKUN CONNECTOR CO., LTD.			TITLE: A2009T 2.0mmPITCH terminal	
X.±0.5	X.±5'	USE: CUSTOMER	PART NO.: A2009T-PA	
.X±0.3	.X±2'	APPD: 邵敬和	DWG NO.: JKUN-GCDZ-0085	
.XX±0.25	.XX±1'	CHKD: 曾令青	SCALE: 1 : 1	
UNITS: mm		DR: 方松乐	SHEET: 1 / 1	

REV	ECN No.	DESCRIPTION	DESIGN	DATE
A0		Release	吴丹平	2017.06.21



### 主要技术参数 Main Specifications

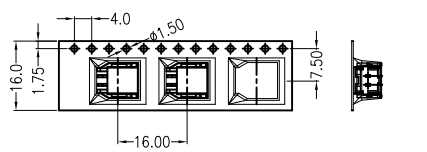
线 数 (Poles): 02 to 15  
 接触电阻 (Contact resistance):  $\leq 10m\Omega$   
 绝缘电阻 (Insulation resistance):  $\geq 1000M\Omega$   
 额定电压 (Rated voltage): 125V AC DC  
 额定电流 (Rated current): 3.0A AC DC  
 耐 电 压 (Withstand Voltage): 500V AC/minute  
 温度范围 (Temperature Range) :  $-40^{\circ}C \sim +105^{\circ}C$

### ORDER INFORMATION:

A2009Y-02-E3*-P				PACKAGING: P=PE
PART No.	No.OF CIRCUITS:	PLASTIC MATERIAL:		
02		E3W=PBT(WHITE)		
		E3K=PBT(BLACK)		

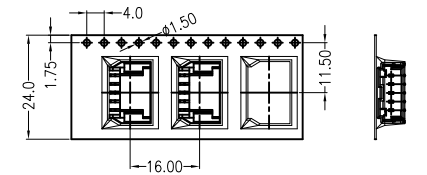
ITEM	COMPONENT	Q'TY	MATERIAL	FINISH
C				
B				
A	PEDESTAL	1 PCS	PBT	COLOR:WHITE/BLACK
<b>JKUN 温州健坤接插件有限公司</b> <b>WENZHOU JKUN CONNECTOR CO., LTD.</b>				
TITLE: A2009Y 2.0mmPITCH Housing				
X.±0.5	X.±5*	USE:	PART NO.:	
.X±0.3	.X±2*	CUSTOMER	A2009Y-02-E3*-P	
.XX±0.25	.XX±1*	APPD: 邵敬和	DWG NO.:	
--	--	CHKD: 田 峰	JKUN/GCCP-0527	
⊕	◁	UNITS: mm	DR: 蒋建银	SCALE 1 : 1
				SHEET 1 / 1

REV	ECN No.	DESCRIPTION	DESIGN	DATE
A		Release	蒋建银	2019.01.12

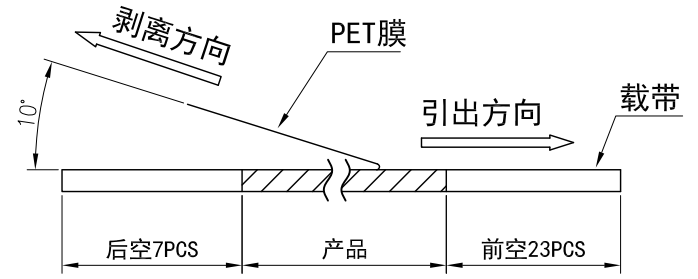
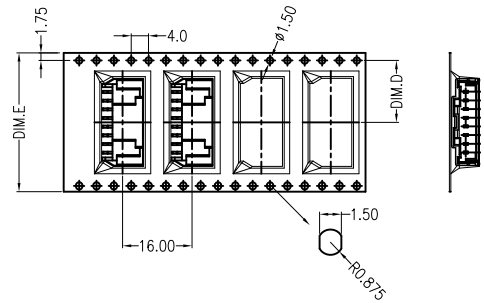


02 CONTACTS

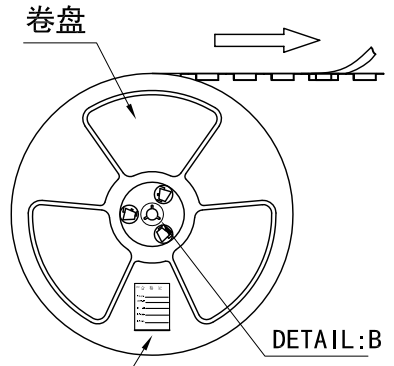
产品引出方向  
06-15 CONTACTS



03-05 CONTACTS



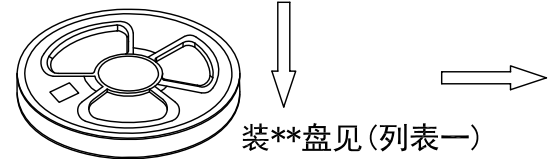
(PET膜剥离示意图)



合格证

DETAIL:B

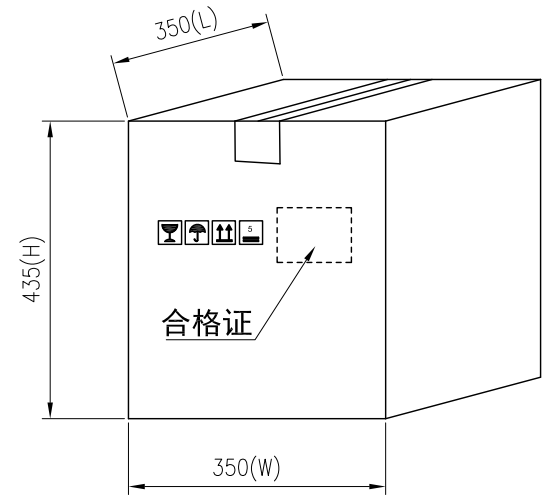
DETAIL:B



装\*\*盘见(列表一)

PE袋

外箱



列表一

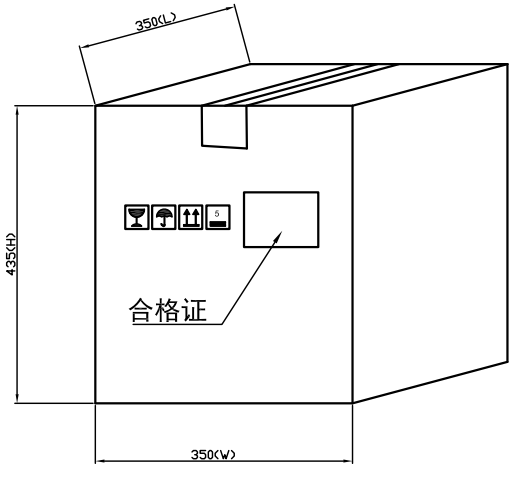
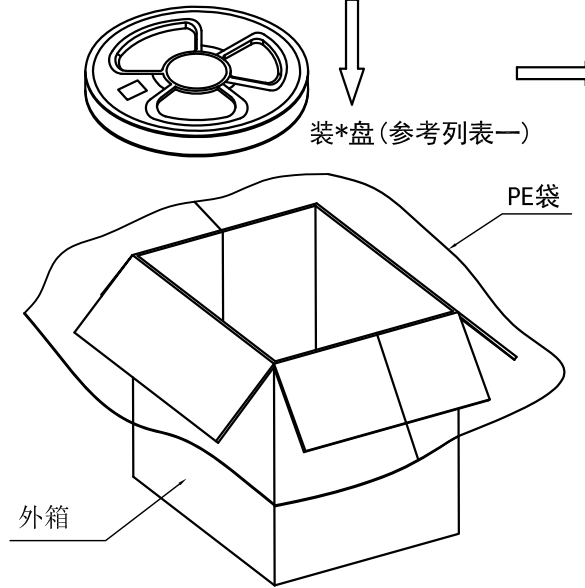
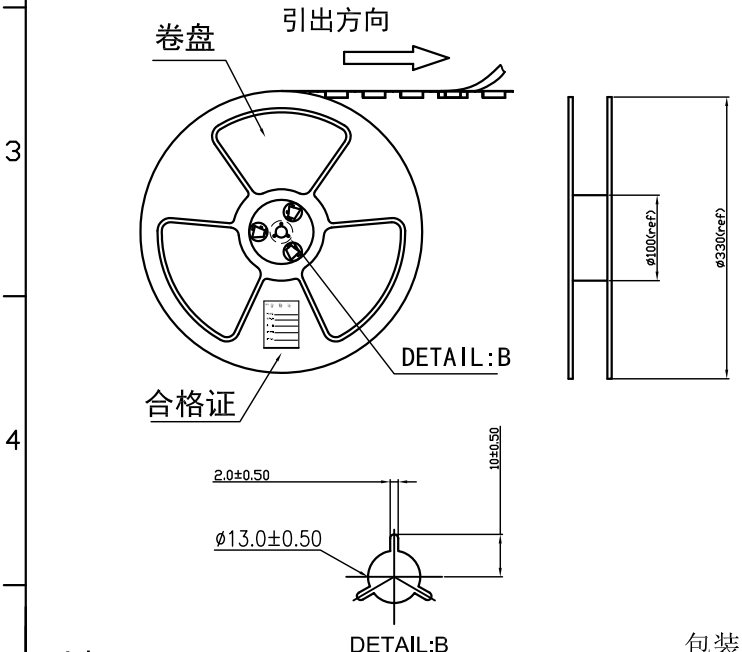
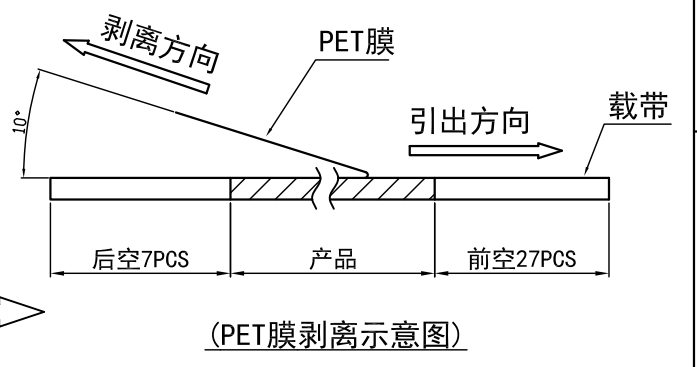
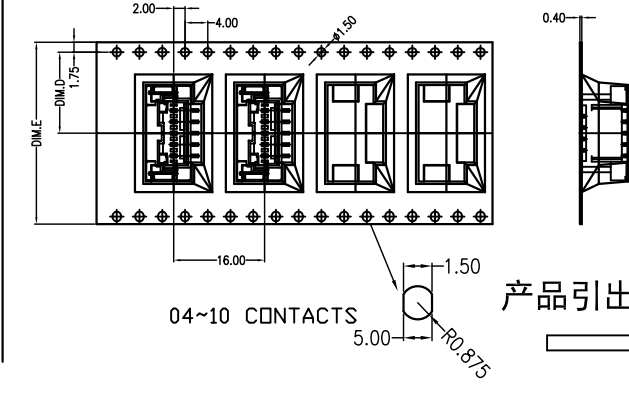
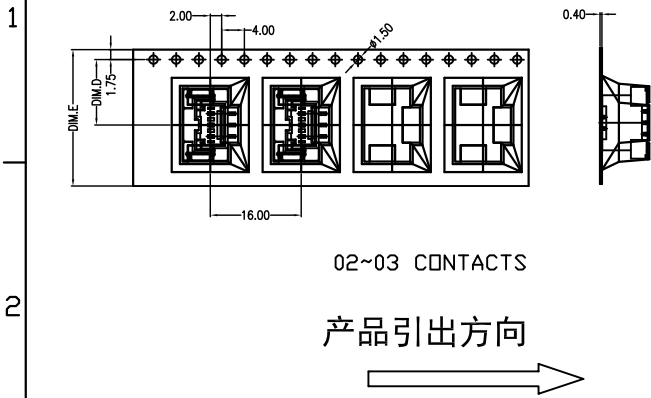
Circuits	DIM. D	DIM. E	Q'ty/Reel	Packing (Reel/Caton)
02 PIN	7.50	16	600PCS	20/Reel
03~05PIN	11.50	24	600PCS	15/Reel
06~08PIN	14.25	32	600PCS	11/Reel
09~13PIN	20.20	44	600PCS	8/Reel
14~15PIN	26.20	56	600PCS	7/Reel

包装说明:

- 把成品包入卷盘中, 每盘装600PCS, 卷盘上贴上合格证, 将装好产品的卷盘放进外箱中, 外箱内先套一个大PE袋, 外箱上贴贴上合格证.
- 所有材料有害物控制需符合RoHS标准.

JKUN 温州健坤接插件有限公司 WENZHOU JKUN CONNECTOR CO., LTD.			TITLE:	
X.± 0.5	X.±*	USE:	CUSTOMER	
.X± 0.3	.X±*	APPD:	谭龙清	
.XX±0.25	.XX±*	CHKD:	田峰	
--	--	DR:	蒋建银	
UNITS: mm		SCALE	SHEET	
		1 : 1	1 / 1	

REV	ECN No.	DESCRIPTION	DESIGN	DATE
A		Release	蒋建银	2019.04.28



列表一

Circuits	DIM. D	DIM. E	Q'ty/Reel	Packing (Reel/Caton)
02~03 PIN	11.50	24	500PCS	15/Reel
04~06 PIN	14.25	32	500PCS	11/Reel
07~10 PIN	20.20	44	500PCS	8/Reel

包装说明:

- 把成品包入卷盘中, 每盘装500PCS, 卷盘上贴上合格证, 将装好产品的卷盘放进外箱中, 外箱内先套一个大PE袋, 外箱上贴贴上合格证。
- 所有材料有害物控制需符合RoHS标准。

JKUN 温州健坤接插件有限公司 WENZHOU JKUN CONNECTOR CO., LTD.			TITLE: -	
X.± 0.5	X.±*	USE: MANUFACTURE	PART NO.: A2009AWW 包装规范	
.X± 0.3	.X±*		DWG NO.: JKUN/GCBZ-0820	
.XX±0.25	.XX±*	APPD: 刘振岭	SCALE 1 : 1	
--	--	CHKD: 王亮	SHEET 1 / 1	
UNITS: mm	DR: 蒋建银			