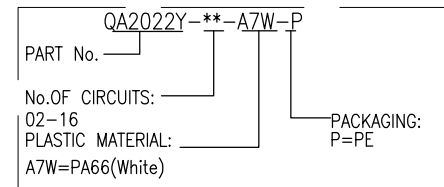


REV	DESCRIPTION	DESIGN	DATE
A	NEW RELEASE	Z.M.Xue	2022.12.15

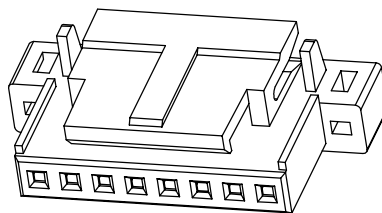
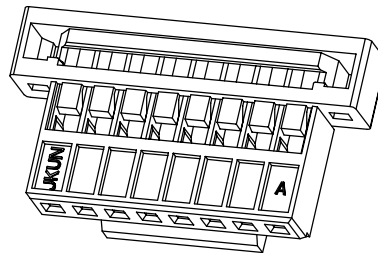
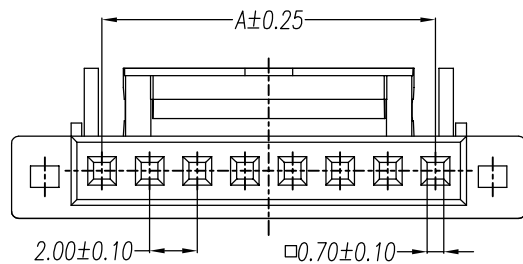
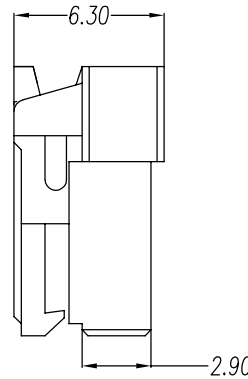
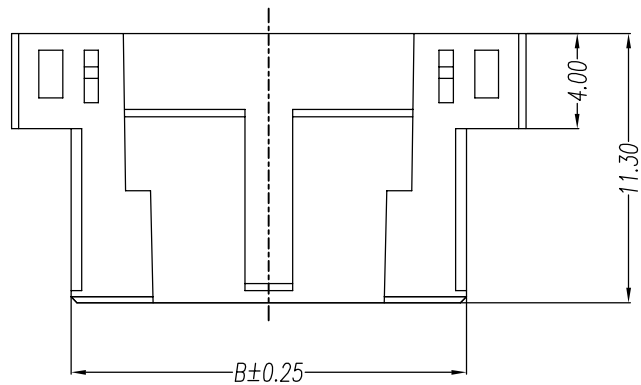
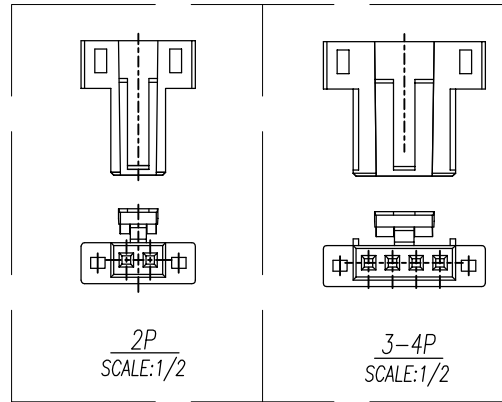
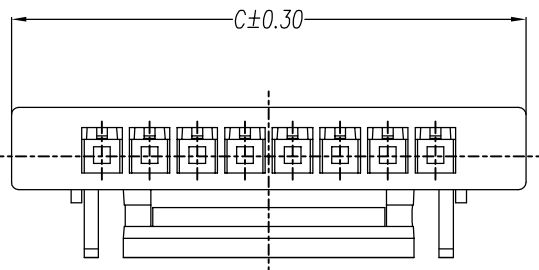
Specifications:

Contact resistance: $\leq 25m\Omega$
 Insulation resistance: $\geq 100M\Omega$
 Rated voltage: 250V AC DC
 Rated current: 2.0A AC DC
 Withstand Voltage: 1000V AC/minute
 Temperature Range: $-40^{\circ}C \sim +105^{\circ}C$

ORDER INFORMATION:



PIN.	DIM A	DIM B	DIM C	PIN.	DIM A	DIM B	DIM C
2pin	2.00	4.60	9.60	10pin	18.00	20.60	25.60
3pin	4.00	6.60	11.60	11pin	20.00	22.60	27.60
4pin	6.00	8.60	13.60	12pin	22.00	24.60	29.60
5pin	8.00	10.60	15.60	13pin	24.00	26.60	31.60
6pin	10.00	12.60	17.60	14pin	26.00	28.60	33.60
7pin	12.00	14.60	19.60	15pin	28.00	30.60	35.60
8pin	14.00	16.60	21.60	16pin	30.00	32.60	37.60
9pin	16.00	18.60	23.60				



JKUN 温州健坤接插件有限公司 WENZHOU JKUN CONNECTOR CO.,LTD.				TITLE: 2.00mm Housing			
GENERAL TOLERANCE		USE:		PART NO.:			
X. ±0.50	X. ±5'	CUSTOMER		QA2022Y-**-A7W-P			
X.X ±0.30	X.X ±2'	APPD: Zhuzhigang		DWG NO.:			
X.XX ±0.20	X.XX ±1'	CHKD: Yan Peng		JKUN-GCKH-0989			
UNITS: mm		DR: Z.M.Xue		SCALE 1 : 1		SHEET 1 / 1	

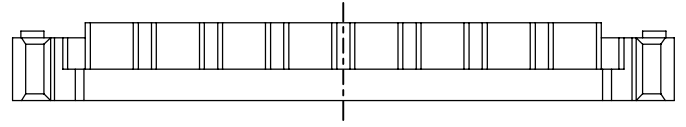
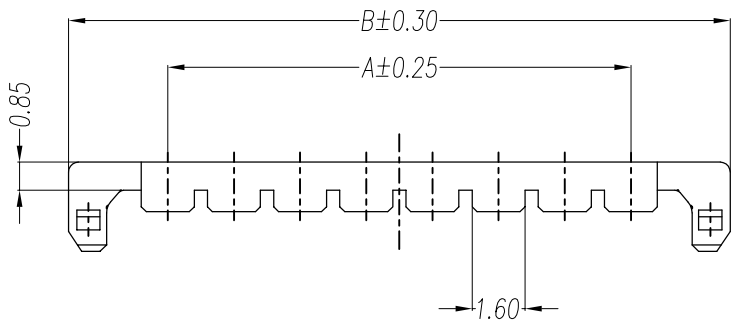
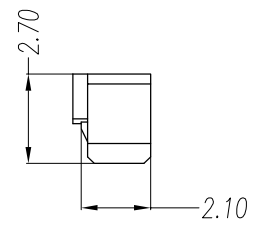
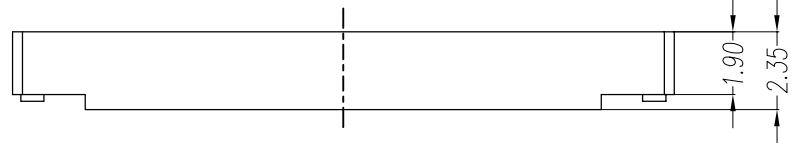
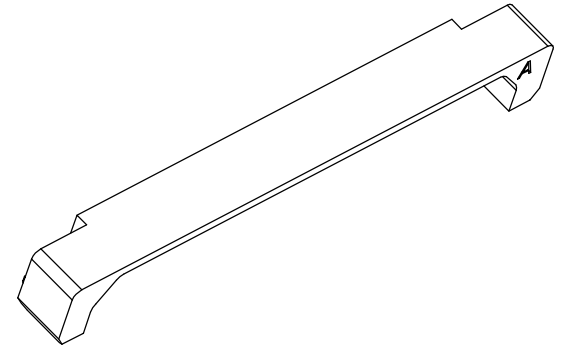
REV	DESCRIPTION	DESIGN	DATE
A	NEW RELEASE	Z.M.Xue	2022.12.15

Specifications:
 Contact resistance: $\leq 25m\Omega$
 Insulation resistance: $\geq 100M\Omega$
 Rated voltage: 250V AC DC
 Rated current: 2.0A AC DC
 Withstand Voltage: 1000V AC/minute
 Temperature Range: $-40^{\circ}C \sim +105^{\circ}C$
ORDER INFORMATION:

QA2022PS-**-E3W-P			
PART No.			PACKAGING: P=PE
No.OF CIRCUITS:			
02-16			
PLASTIC MATERIAL:			
E3W=PBT(White)			

PIN.	DIM A	DIM B	PIN.	DIM A	DIM B
2pin	2.00	8.00	10pin	18.00	24.00
3pin	4.00	10.00	11pin	20.00	26.00
4pin	6.00	12.00	12pin	22.00	28.00
5pin	8.00	14.00	13pin	24.00	30.00
6pin	10.00	16.00	14pin	26.00	32.00
7pin	12.00	18.00	15pin	28.00	34.00
8pin	14.00	20.00	16pin	30.00	36.00
9pin	16.00	22.00			

JKUN 温州健坤接插件有限公司 WENZHOU JKUN CONNECTOR CO.,LTD.		TITLE: 2.00mm Housing	
GENERAL TOLERANCE		USE: CUSTOMER	PART NO.: QA2022PS-**-E3W-P
X. ± 0.50	X. $\pm 5^{\circ}$	APPD: Zhuzhigang	DWG NO.: JKUN-GCKH-0990
X.X ± 0.30	X.X $\pm 2^{\circ}$	CHKD: Yan Peng	SCALE 1 : 1
X.XX ± 0.20	X.XX $\pm 1^{\circ}$	DR: Z.M.Xue	SHEET 1 / 1
		UNITS: mm	



A B C D E F

1

2

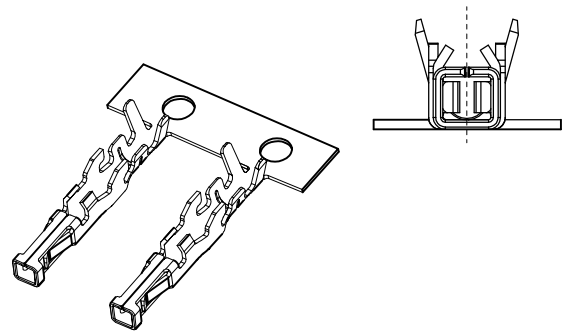
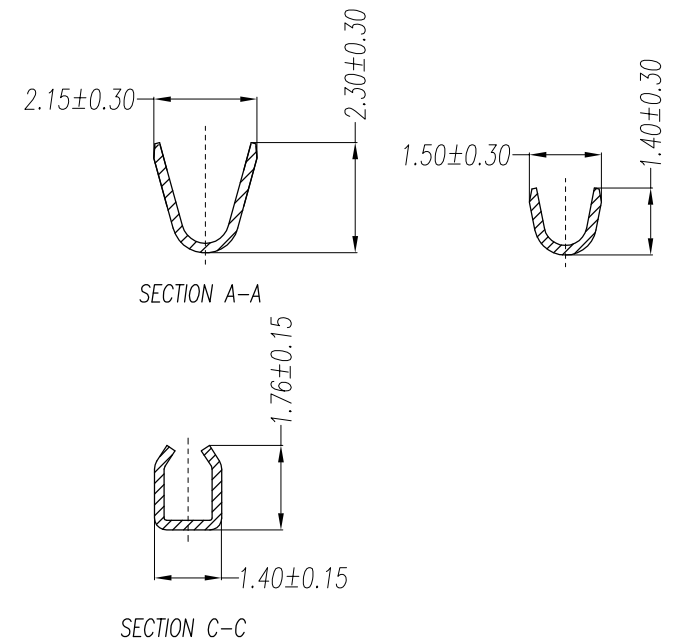
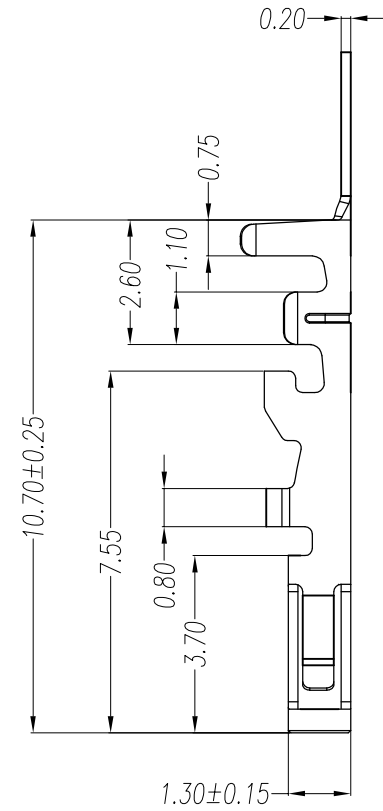
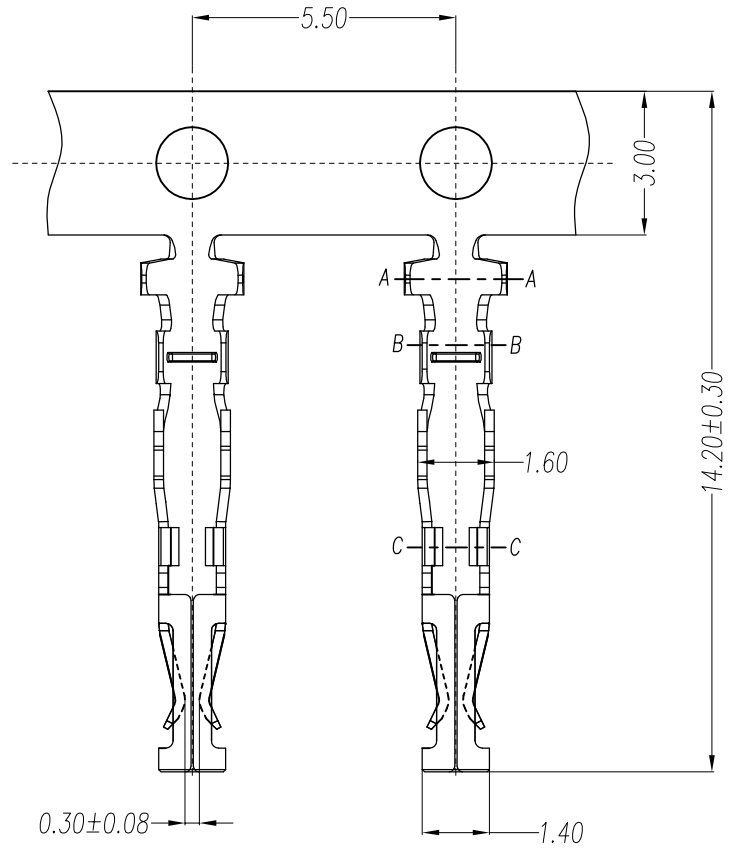
3

4

5

A B C D E F

REV	DESCRIPTION	DESIGN	DATE
A	NEW RELEASE	Z.M.Xue	2022.12.15



Ordering Information & Specification:

Part No	Wire Range	Insulation O.D.	Material	Finish	Qty/Reel
QA2022T-01端子	AWG #22~#24	1.60mm MAX	Phosphor bronze	Sn-plated	
JKUN 温州健坤接插件有限公司 WENZHOU JKUN CONNECTOR CO.,LTD.			TITLE: 2.00mm Terminal		
GENERAL TOLERANCE		USE: CUSTOMER		PART NO.:	
X. ±0.50	X. ±5°	APPD: Zhuzhigang		QA2022T-01	
X.X ±0.30	X.X ±2°	CHKD: Yan Peng		DWG NO.:	
X.XX ±0.20	X.XX ±1°	DR: Z.M.Xue		JKUN-GCDZ-0103	
UNITS: mm		SCALE 1 : 1		SHEET 1 / 1	