

REV	DESCRIPTION	DESIGN	DATE
A	NEW RELEASE	Lingqing	2022/03/21

**Specifications:**

Contact resistance:  $\leq 25m\Omega$   
 Insulation resistance:  $\geq 100M\Omega$   
 Rated voltage: 250V AC DC MAX  
 Rated current: 3.0A AC DC MAX  
 Withstand Voltage: 1000V AC/minute  
 Temperature Range:  $-40^{\circ}C \sim +105^{\circ}C$   
 Housing: PA66 UL94V-0, Natural

PIN.	Dimensions (mm)			
	A	B	C	D
02	2.00	4.40	3.30	
03	4.00	6.40	5.10	
04	6.00	8.40	6.80	
05	8.00	10.40	9.05	
06	10.00	12.40	11.15	10.00
07	12.00	14.40	13.15	10.00
08	14.00	16.40	15.15	10.00
09	16.00	18.40	17.15	12.00
10	18.00	20.40	19.15	17.40
11	20.00	22.40	21.15	17.40
12	22.00	24.40	23.15	17.40
13	24.00	26.40	25.15	17.40
14	26.00	28.40	27.15	17.40
15	28.00	30.40	29.15	17.40

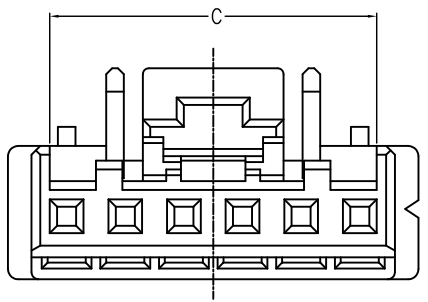
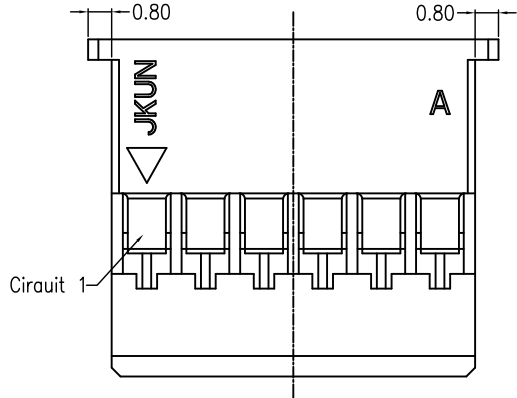
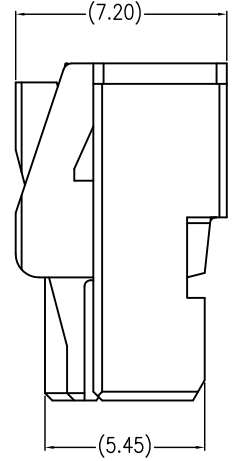
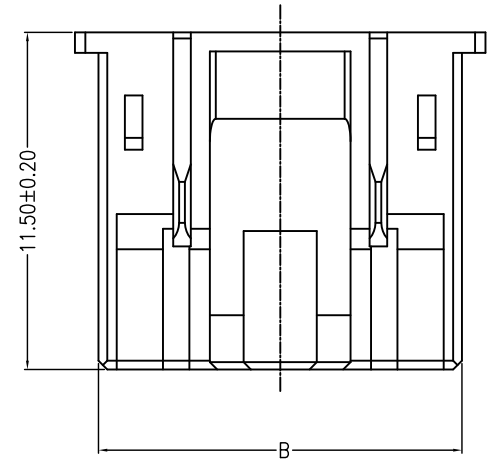
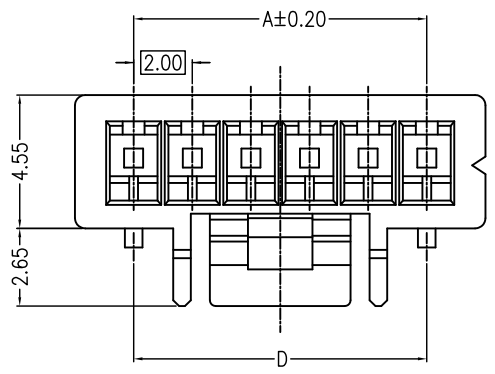
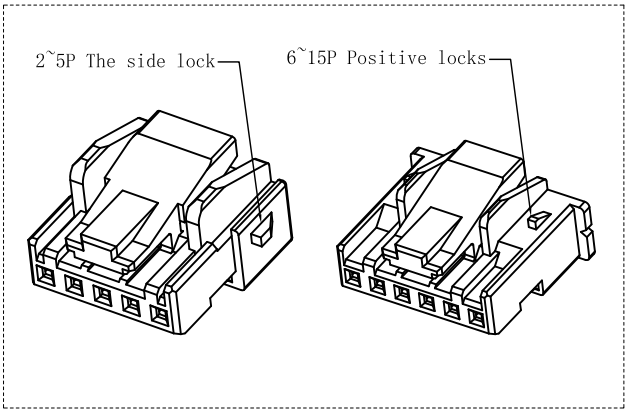
**ORDER INFORMATION:**

**QA2018Y-\*\*-A7W-P**

PART No. \_\_\_\_\_  
 No. OF CIRCUITS: \_\_\_\_\_  
 02~15  
 PLASTIC MATERIAL: \_\_\_\_\_  
 A7W=PA66(Natural)

PACKAGING:  
P=PE

<b>JKUN</b> 温州健坤接插件有限公司 WENZHOU JKUN CONNECTOR CO.,LTD.		TITLE: 2.00mm PITCH Housing	
		PART NO.: QA2018Y-**-A7W-P	
GENERAL TOLERANCE		USE: CUSTOMER	DWG NO.: JKUN-GCKH-0977
X. $\pm 0.50$	X. $\pm 5^{\circ}$	APPD: Zhangzhongyong	
X.X $\pm 0.30$	X.X $\pm 2^{\circ}$	CHKD: Fangsongle	SCALE 1 : 1
X.XX $\pm 0.20$	X.XX $\pm 1^{\circ}$	DR: Zenglingqing	
UNITS: mm		SHEET 1 / 3	



A

B

C

D

E

F

1

2

3

4

5

1

2

3

4

5

A

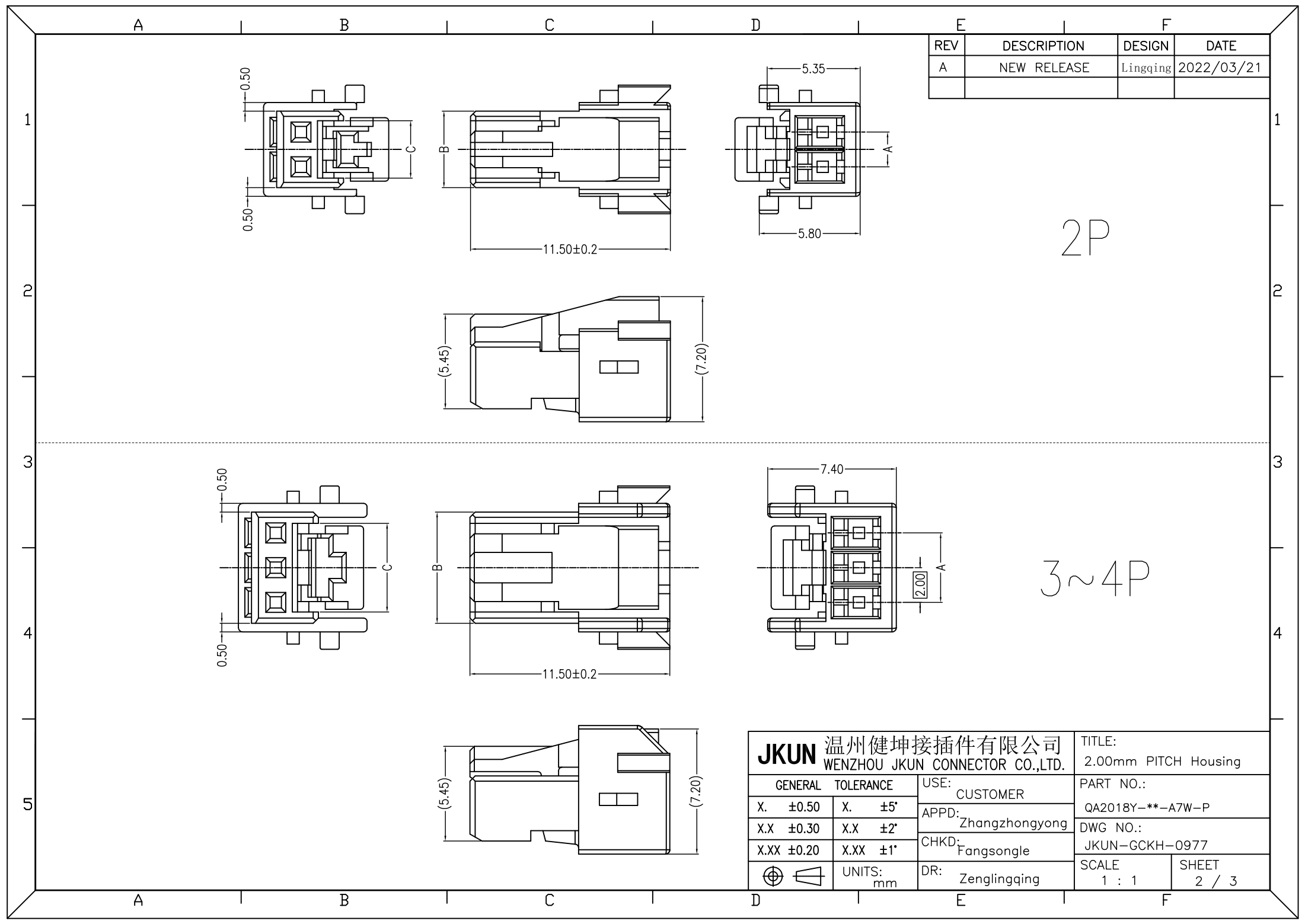
B

C

D

E

F



REV	DESCRIPTION	DESIGN	DATE
A	NEW RELEASE	Lingqing	2022/03/21

2P

3~4P

<b>JKUN</b> 温州健坤接插件有限公司 WENZHOU JKUN CONNECTOR CO.,LTD.		TITLE: 2.00mm PITCH Housing	
GENERAL TOLERANCE		USE: CUSTOMER	PART NO.:
X. ±0.50	X. ±5°	APPD: Zhangzhongyong	QA2018Y-**-A7W-P
X.X ±0.30	X.X ±2°	CHKD: Fangsongle	DWG NO.:
X.XX ±0.20	X.XX ±1°	DR: Zenglingqing	JKUN-GCKH-0977
UNITS: mm		SCALE 1 : 1	SHEET 2 / 3

A

B

C

D

E

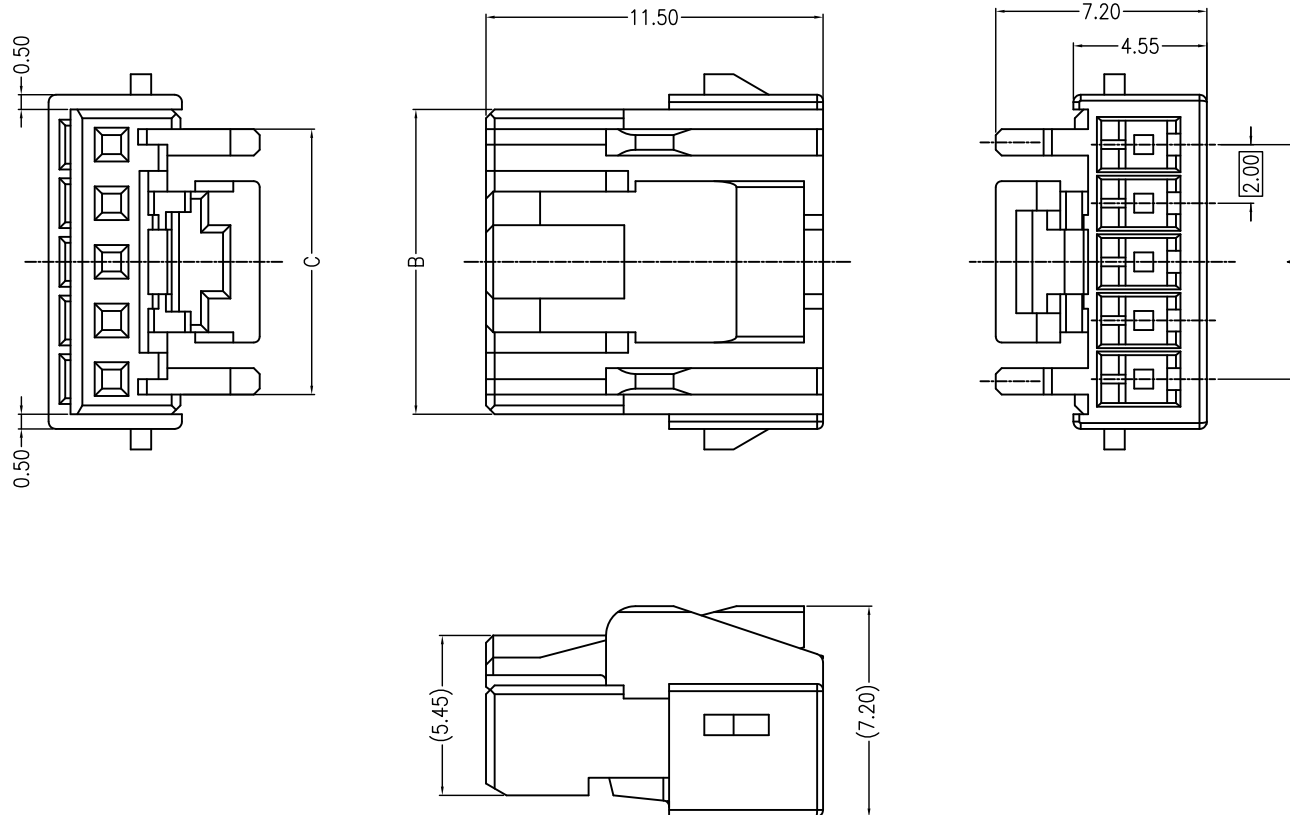
F

REV	DESCRIPTION	DESIGN	DATE
A	NEW RELEASE	Lingqing	2022/03/21

1

1

5P



2

2

3

3

4

4

5

A

B

C

D

E

F

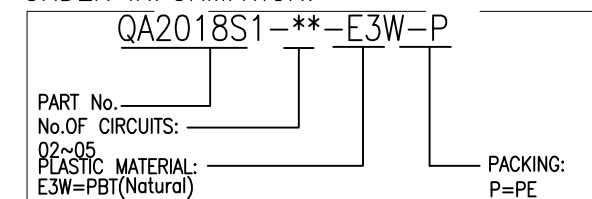
<b>JKUN</b> 温州健坤接插件有限公司 WENZHOU JKUN CONNECTOR CO.,LTD.		TITLE: 2.00mm PITCH Housing	
GENERAL TOLERANCE		USE: CUSTOMER	PART NO.:
X. ±0.50	X. ±5°	APPD: Zhangzhongyong	QA2018Y-**-A7W-P
X.X ±0.30	X.X ±2°	CHKD: Fangsongle	DWG NO.:
X.XX ±0.20	X.XX ±1°	DR: Zenglingqing	JKUN-GCKH-0977
UNITS: mm		SCALE 1 : 1	SHEET 3 / 3

REV	DESCRIPTION	DESIGN	DATE
A	NEW RELEASE	Lingqing	2022/03/21

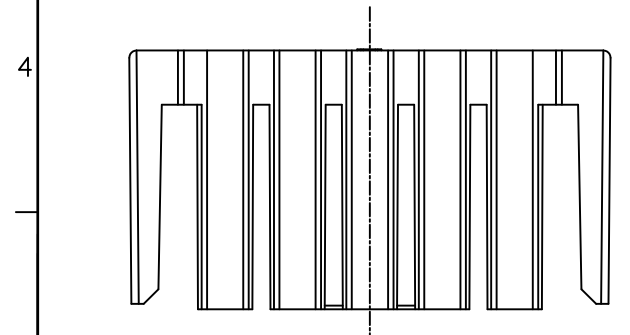
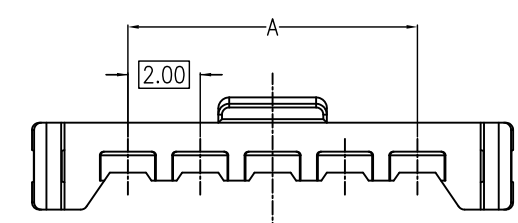
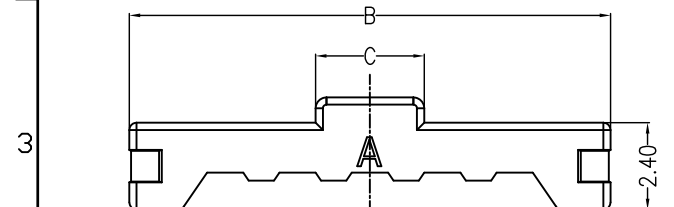
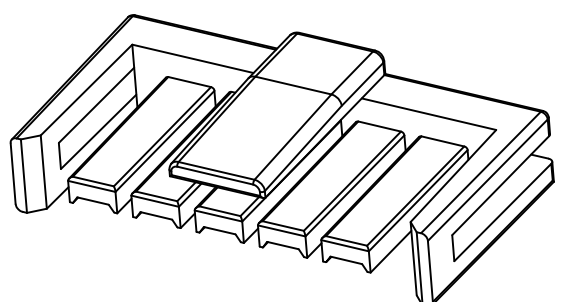
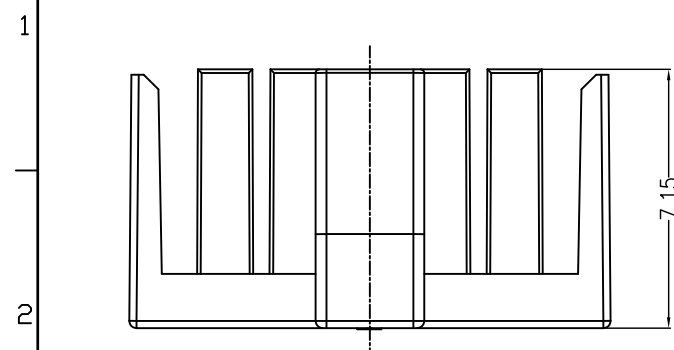
Specifications:  
 Contact resistance:  $\leq 25m\Omega$   
 Insulation resistance:  $\geq 100M\Omega$   
 Rated voltage: 250V AC DC MAX  
 Rated current: 3.0A AC DC MAX  
 Withstand Voltage: 1000V AC/minute  
 Temperature Range:  $-40^{\circ}C \sim +105^{\circ}C$   
 Housing: PBT UL94V-0, Natural

PIN.	Dimensions (mm)		
	A	B	C
02	2.00	7.30	2.20
03	4.00	9.30	3.00
04	6.00	11.30	3.00
05	8.00	13.30	3.00

ORDER INFORMATION:



<b>JKUN</b> 温州健坤接插件有限公司 WENZHOU JKUN CONNECTOR CO.,LTD.		TITLE: 2.00mm PITCH Housing	
GENERAL TOLERANCE		USE: CUSTOMER	PART NO.:
X. $\pm 0.50$	X. $\pm 5^{\circ}$	APPD: Zhangzhongyong	QA2018S1-**-E3W-P
X.X $\pm 0.30$	X.X $\pm 2^{\circ}$	CHKD: Fangsongle	DWG NO.:
X.XX $\pm 0.20$	X.XX $\pm 1^{\circ}$	DR: Zenglingqing	JKUN-GCKH-0978
		UNITS: mm	SCALE
			1 : 1
			SHEET
			1 / 1



A B C D E F

1

2

3

4

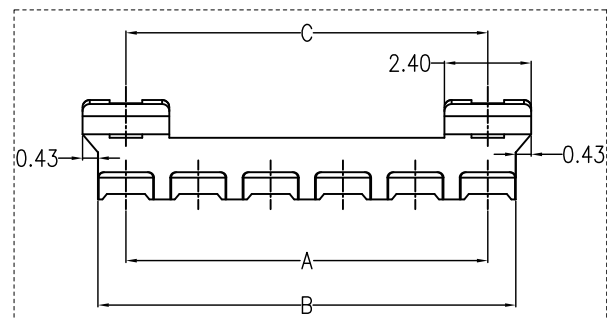
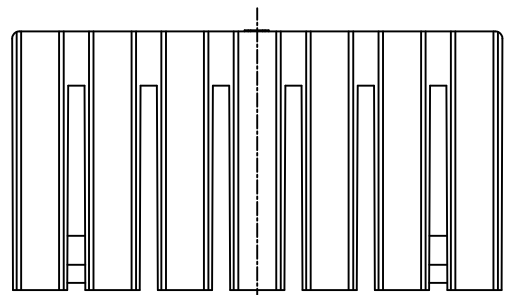
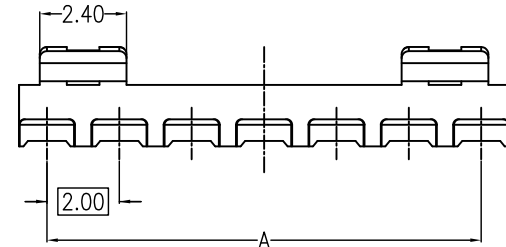
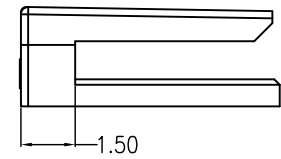
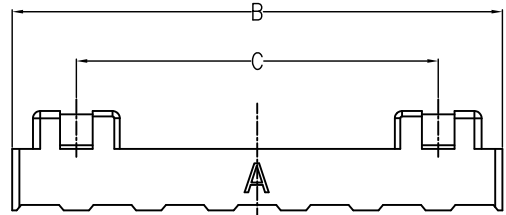
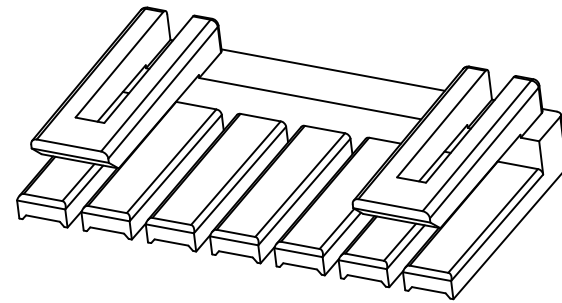
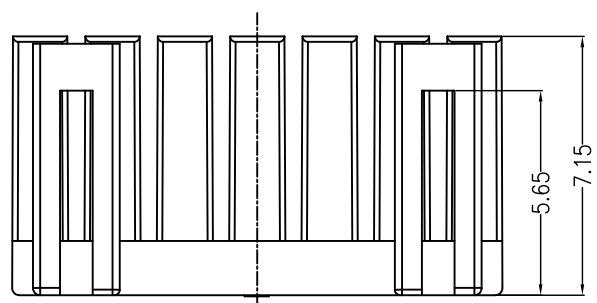
5

A B C D E F

REV	DESCRIPTION	DESIGN	DATE
A	NEW RELEASE	Lingqing	2022/03/21

Specifications:  
 Contact resistance:  $\leq 25m\Omega$   
 Insulation resistance:  $\geq 100M\Omega$   
 Rated voltage: 250V AC DC MAX  
 Rated current: 3.0A AC DC MAX  
 Withstand Voltage: 1000V AC/minute  
 Temperature Range:  $-40^{\circ}C \sim +105^{\circ}C$   
 Housing: PBT UL94V-0, Natural

PIN.	Dimensions (mm)		
	A	B	C
06	10.00	11.55	10.00
07	12.00	13.55	10.00
08	14.00	15.55	10.00
09	16.00	17.55	12.00
10	18.00	19.55	17.40
11	20.00	21.55	17.40
12	22.00	23.55	17.40
13	24.00	25.55	17.40
14	26.00	27.55	17.40
15	28.00	29.55	17.40



**ORDER INFORMATION:**

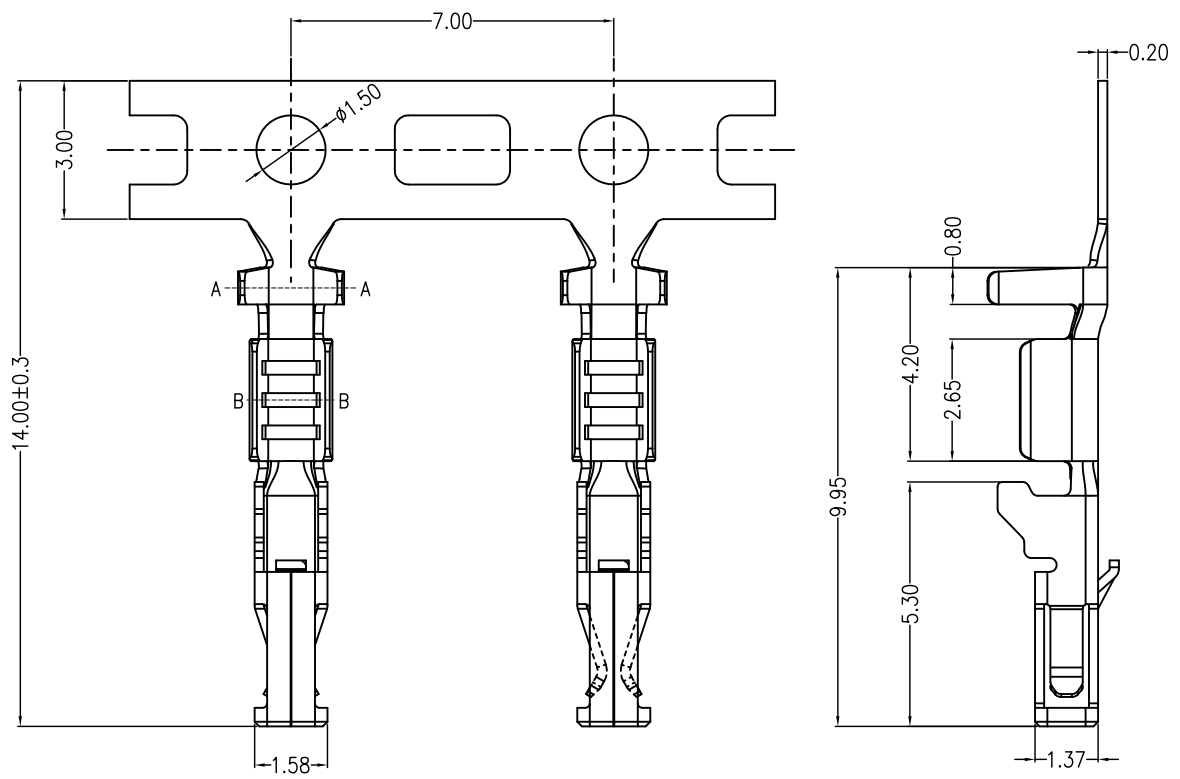
**QA2018S2-\*\*-E3W-P**  
 PART No. \_\_\_\_\_  
 No. OF CIRCUITS: \_\_\_\_\_  
 06~15  
 PLASTIC MATERIAL: \_\_\_\_\_  
 E3W=PBT(Natural)

PACKING:  
 P=PE

<b>JKUN</b> 温州健坤接插件有限公司 WENZHOU JKUN CONNECTOR CO.,LTD.		TITLE: 2.00mm PITCH Housing	
GENERAL TOLERANCE		USE: CUSTOMER	PART NO.:
X. $\pm 0.50$	X. $\pm 5^{\circ}$	APPD: Zhangzhongyong	QA2018S2-**-E3W-P
X.X $\pm 0.30$	X.X $\pm 2^{\circ}$	CHKD: Fangsongle	DWG NO.:
X.XX $\pm 0.20$	X.XX $\pm 1^{\circ}$	DR: Zenglingqing	JKUN-GCKH-0979
		UNITS: mm	SCALE
			1 : 1
			SHEET
			1 / 1

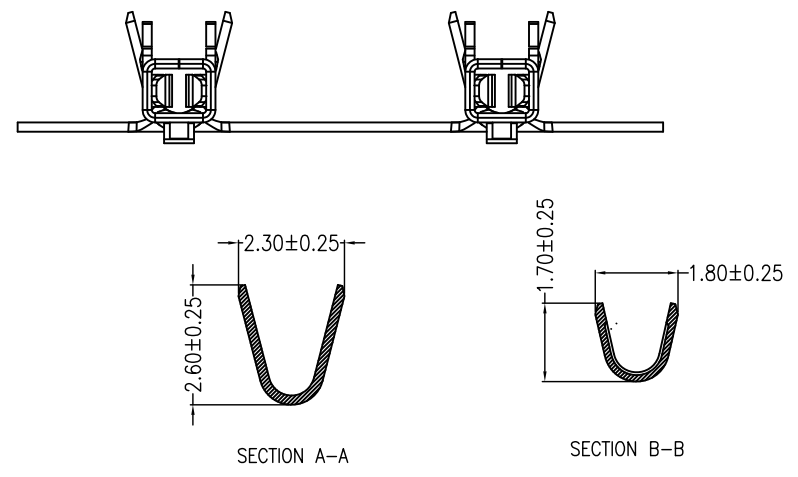
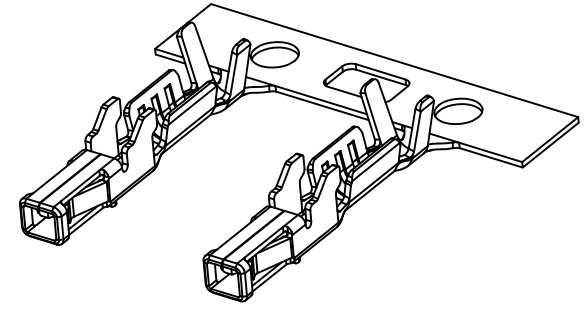
6P

REV	DESCRIPTION	DESIGN	DATE
A	NEW RELEASE	Lingqing	2022/03/21



Specifications:

- Contact resistance:  $\leq 25\text{m}\Omega$
- Insulation resistance:  $\geq 100\text{M}\Omega$
- Rated voltage: 250V AC DC MAX
- Rated current: 3.0A AC DC MAX
- Withstand Voltage: 1000V AC/minute
- Temperature Range:  $-40^{\circ}\text{C} \sim +105^{\circ}\text{C}$
- Contacts: Phosphor Bronze Sn-plated
- Wire Range: AWG#24~20
- Insulation O.D.:  $\phi 1.60\text{mm}$  Max



<b>JKUN</b> 温州健坤接插件有限公司 WENZHOU JKUN CONNECTOR CO.,LTD.		TITLE: MX 2.00 Terminal	
GENERAL TOLERANCE		USE: CUSTOMER	PART NO.:
X. $\pm 0.50$	X. $\pm 5^{\circ}$	APPD: Zhangzhongyong	QA2018T-01 端子
X.X $\pm 0.30$	X.X $\pm 2^{\circ}$	CHKD: Fangsongle	DWG NO.:
X.XX $\pm 0.20$	X.XX $\pm 1^{\circ}$	DR: Zenglingqing	JKUN-GCDZ-0102
UNITS: mm		SCALE 1 : 1	SHEET 1 / 1