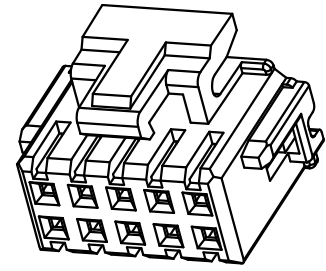
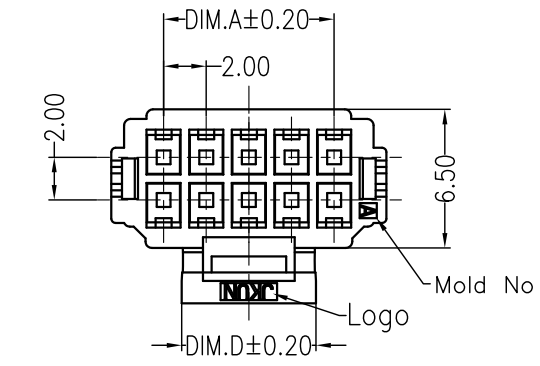
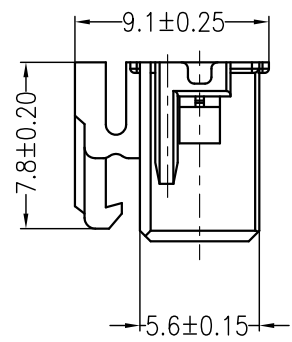
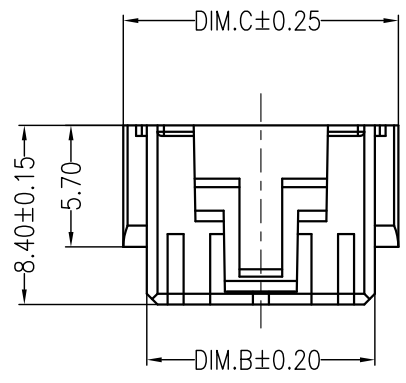


A B C D E F

REV	DESCRIPTION	DESIGN	DATE
A	NEW RELEASE	YANPENG	2022/10/10



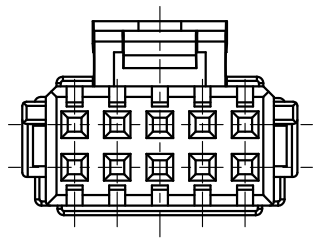
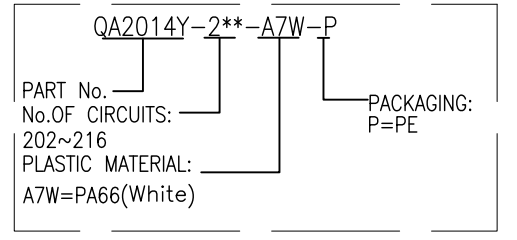
Circuits	Dimensions (mm)			
	A	B	C	D
202 (2*2)	2.00	4.70	6.90	3.30
203 (2*3)	4.00	6.70	8.90	3.30
204 (2*4)	6.00	8.70	10.90	4.30
205 (2*5)	8.00	10.70	12.90	6.30
206 (2*6)	10.00	12.70	14.90	8.30
207 (2*7)	12.00	14.70	16.90	10.30
208 (2*8)	14.00	16.70	18.90	12.30
209 (2*9)	16.00	18.70	20.90	14.30
210 (2*10)	18.00	20.70	22.90	16.30
211 (2*11)	20.00	22.70	24.90	16.30
212 (2*12)	22.00	24.70	26.90	16.30
213 (2*13)	24.00	26.70	28.90	16.30
214 (2*14)	26.00	28.70	30.90	16.30
215 (2*15)	28.00	30.70	32.90	16.30
216 (2*16)	30.00	32.70	34.90	16.30



Specifications:

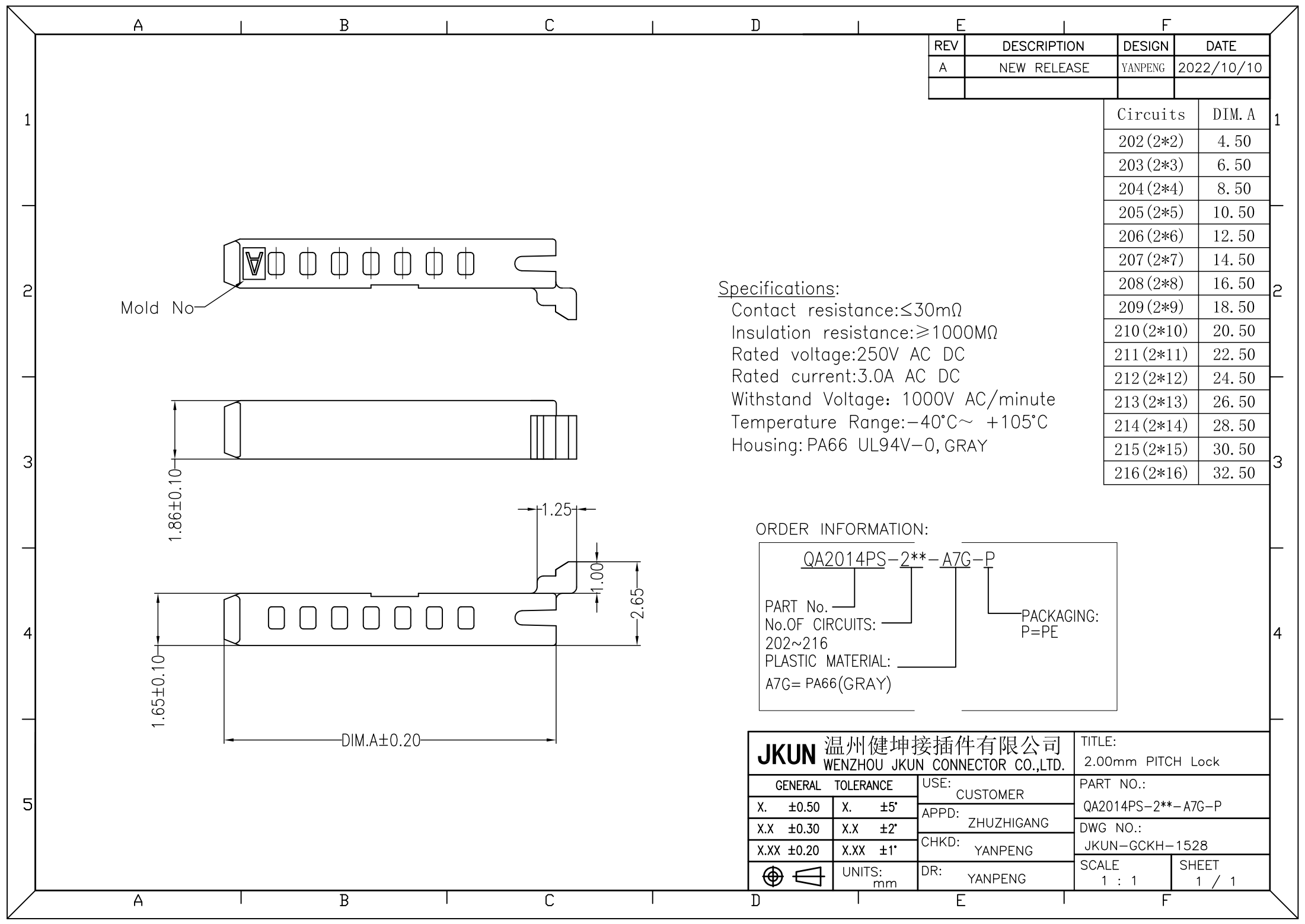
Contact resistance: ≤30mΩ  
 Insulation resistance: ≥1000MΩ  
 Rated voltage: 250V AC DC  
 Rated current: 3.0A AC DC  
 Withstand Voltage: 1000V AC/minute  
 Temperature Range: -40°C ~ +105°C  
 Housing: PA66 UL94V-0, White

ORDER INFORMATION:



A B C D E F

<b>JKUN</b> 温州健坤接插件有限公司 WENZHOU JKUN CONNECTOR CO.,LTD.		TITLE: 2.00mm PITCH Housing	
GENERAL TOLERANCE		USE: CUSTOMER	PART NO.:
X. ±0.50	X. ±5'	APPD: ZHUZHIGANG	QA2014Y-2**-A7W-P
X.X ±0.30	X.X ±2'	CHKD: YANPENG	DWG NO.:
X.XX ±0.20	X.XX ±1'	DR: YANPENG	JKUN-GCKH-1527
UNITS: mm		SCALE 1 : 1	SHEET 1 / 1



REV	DESCRIPTION	DESIGN	DATE
A	NEW RELEASE	YANPENG	2022/10/10

Circuits	DIM. A
202 (2*2)	4.50
203 (2*3)	6.50
204 (2*4)	8.50
205 (2*5)	10.50
206 (2*6)	12.50
207 (2*7)	14.50
208 (2*8)	16.50
209 (2*9)	18.50
210 (2*10)	20.50
211 (2*11)	22.50
212 (2*12)	24.50
213 (2*13)	26.50
214 (2*14)	28.50
215 (2*15)	30.50
216 (2*16)	32.50

Specifications:

Contact resistance: ≤30mΩ  
 Insulation resistance: ≥1000MΩ  
 Rated voltage: 250V AC DC  
 Rated current: 3.0A AC DC  
 Withstand Voltage: 1000V AC/minute  
 Temperature Range: -40°C ~ +105°C  
 Housing: PA66 UL94V-0, GRAY

ORDER INFORMATION:

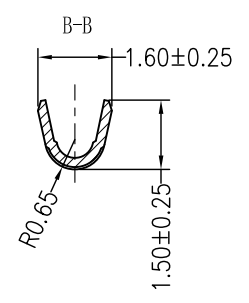
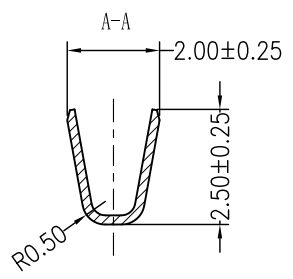
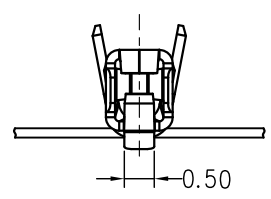
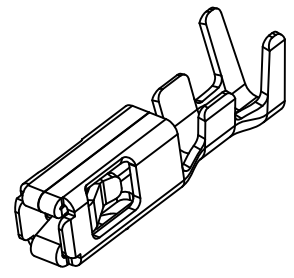
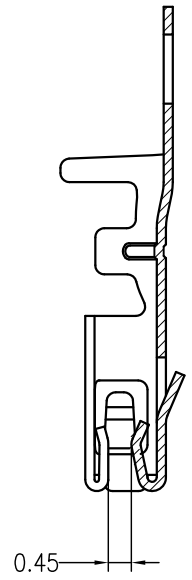
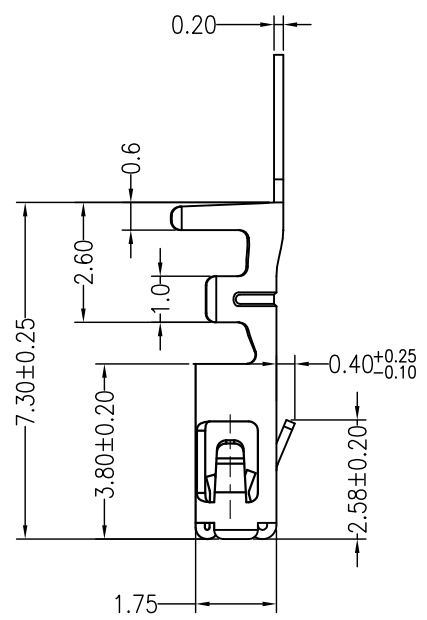
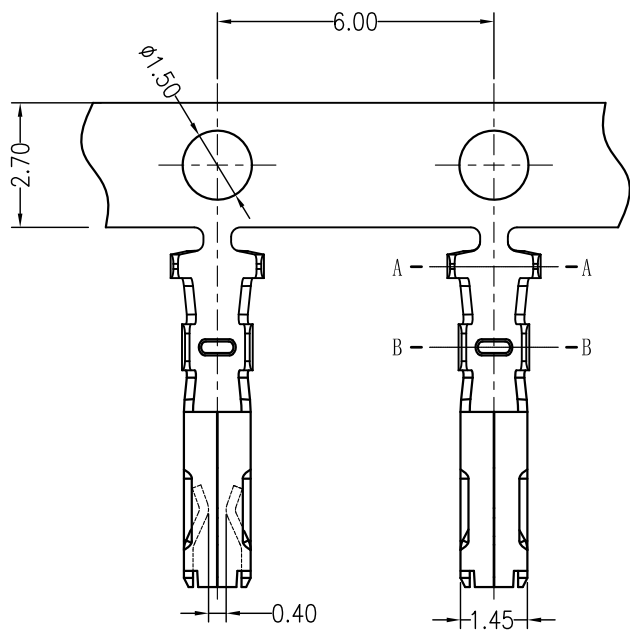
QA2014PS-2\*\*-A7G-P

PART No. \_\_\_\_\_  
 No.OF CIRCUITS: \_\_\_\_\_  
 202~216  
 PLASTIC MATERIAL: \_\_\_\_\_  
 A7G= PA66(GRAY)

PACKAGING:  
 P=PE

<b>JKUN</b> 温州健坤接插件有限公司 WENZHOU JKUN CONNECTOR CO.,LTD.		TITLE: 2.00mm PITCH Lock	
GENERAL TOLERANCE		USE: CUSTOMER	PART NO.:
X. ±0.50	X. ±5°	APPD: ZHUZHIGANG	QA2014PS-2**-A7G-P
X.X ±0.30	X.X ±2°	CHKD: YANPENG	DWG NO.:
X.XX ±0.20	X.XX ±1°	DR: YANPENG	JKUN-GCKH-1528
UNITS: mm		SCALE 1 : 1	SHEET 1 / 1

REV	DESCRIPTION	DESIGN	DATE
A	NEW RELEASE	YANPENG	2022/10/14

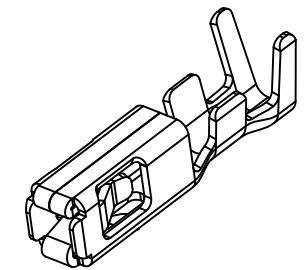
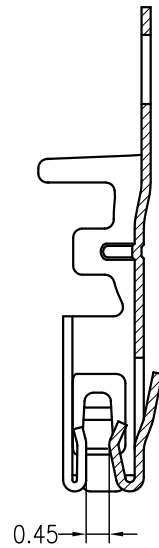
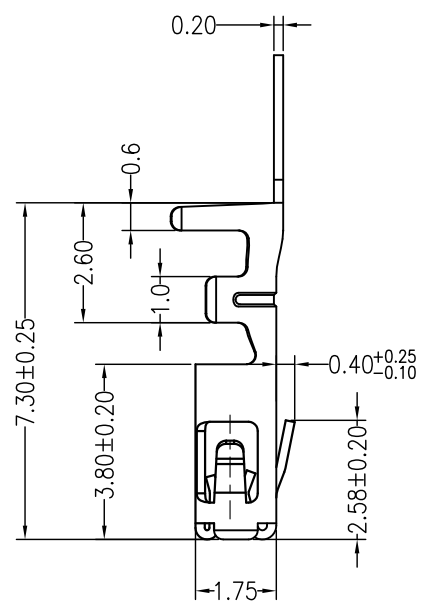
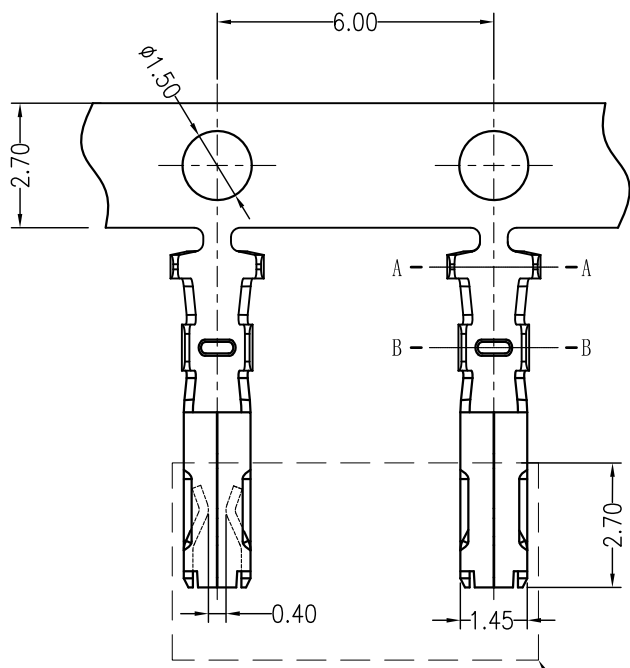


Specifications:

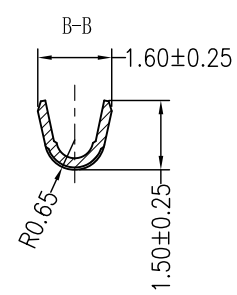
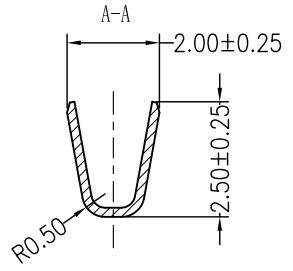
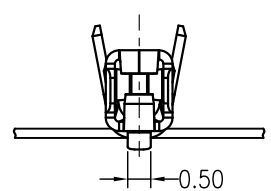
- Contact resistance:  $\leq 30m\Omega$
- Insulation resistance:  $\geq 1000M\Omega$
- Rated voltage: 250V AC DC
- Rated current: 3.0A AC DC
- Withstand Voltage: 1000V AC/minute
- Temperature Range:  $-40^{\circ}C \sim +125^{\circ}C$
- Contacts: Phosphor Bronze/ Sn-plated
- Wire Range: AWG#28~22

<b>JKUN</b> 温州健坤接插件有限公司 WENZHOU JKUN CONNECTOR CO.,LTD.		TITLE: 2.00mm Pitch Terminal	
GENERAL TOLERANCE		USE: CUSTOMER	PART NO.:
X. $\pm 0.50$	X. $\pm 5^{\circ}$	APPD: Zhangzhongyong	QA2014T-01端子
X.X $\pm 0.30$	X.X $\pm 2^{\circ}$		DWG NO.:
X.XX $\pm 0.20$	X.XX $\pm 1^{\circ}$	CHKD: YANPENG	JKUN-GCDZ-0105
 	UNITS: mm	DR: YANPENG	SCALE 1 : 1
			SHEET 1 / 1

REV	DESCRIPTION	DESIGN	DATE
A	NEW RELEASE	YANPENG	2022/10/14



GOLD AREA



Specifications:

- Contact resistance: ≤30mΩ
- Insulation resistance: ≥1000MΩ
- Rated voltage: 250V AC DC
- Rated current: 3.0A AC DC
- Withstand Voltage: 1000V AC/minute
- Temperature Range: -40°C ~ +105°C
- Contacts: Phosphor Bronze/Contact zone gold plating
- Wire Range: AWG#28~22

<b>JKUN</b> 温州健坤接插件有限公司 WENZHOU JKUN CONNECTOR CO.,LTD.		TITLE: 2.00mm Pitch Terminal	
GENERAL TOLERANCE		USE: CUSTOMER	PART NO.:
X. ±0.50	X. ±5°	APPD: Zhangzhongyong	QA2014T-02端子
X.X ±0.30	X.X ±2°		DWG NO.:
X.XX ±0.20	X.XX ±1°	CHKD: YANPENG	JKUN-GCDZ-0105
UNITS: mm		DR: YANPENG	SCALE 1 : 1
			SHEET 1 / 1