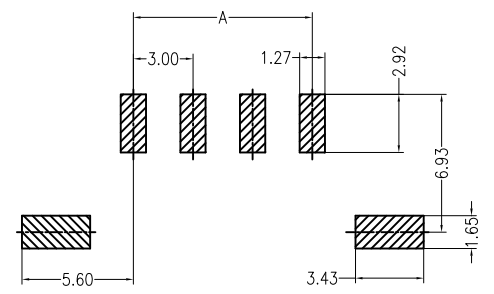
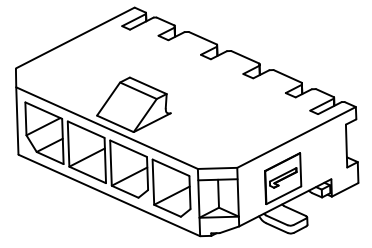
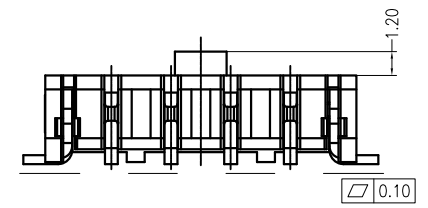
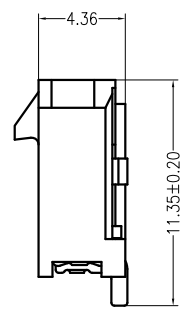
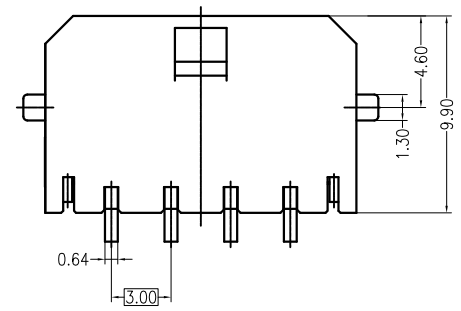
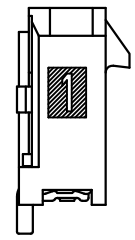
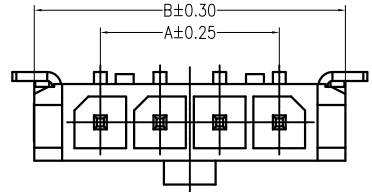
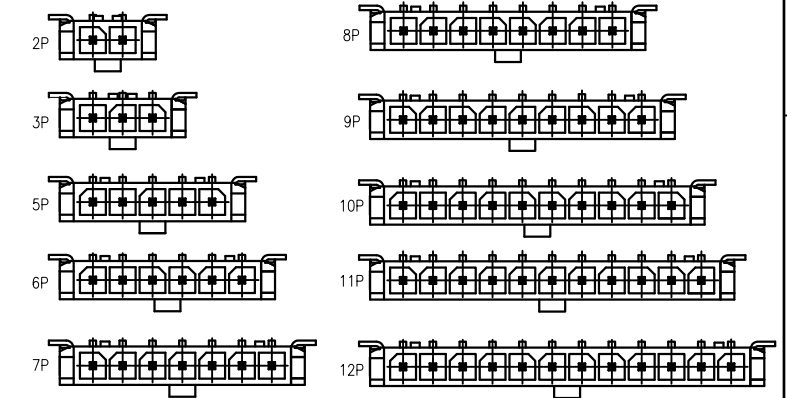


REV	DESCRIPTION	DESIGN	DATE
A0	NEW RELEASE	FangSongLe	2019/07/13



PCB LAYOUT(Tolerance:±0.05)

SCALE:1/2

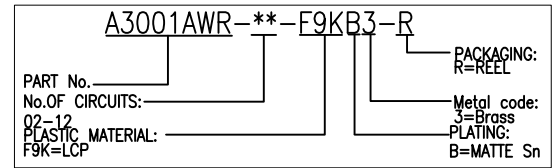


Specifications:

- Contact resistance: ≤10mΩ
- Insulation resistance: ≥1000MΩ
- Rated voltage: 250V AC DC
- Rated current: 5.0A AC DC
- Withstand Voltage: 1000V AC/minute
- Temperature Range: -25℃ ~ +85℃
- Housing: LCP UL94V-0, BLACK
- Contacts: Brass/MATTE Sn-plated
- Solder Tabs: Brass/MATTE Sn-plated

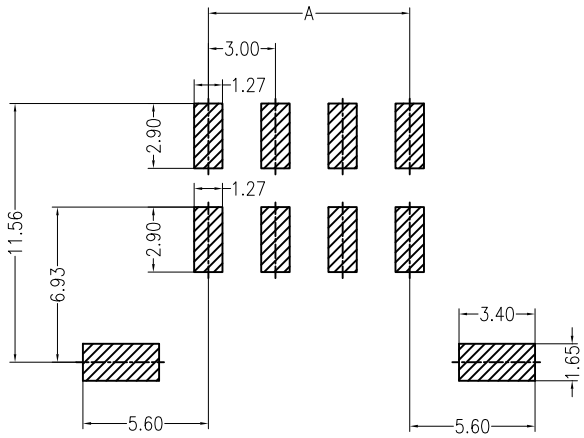
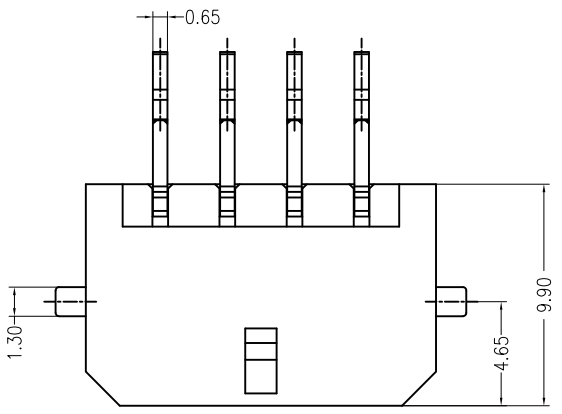
PIN	DIM A	DIM B
2	3.00	9.65
3	6.00	12.65
4	9.00	15.65
5	12.00	18.65
6	15.00	21.65
7	18.00	24.65
8	21.00	27.65
*9	24.00	30.65
*10	27.00	33.65
*11	30.00	36.65
*12	33.00	39.65

ORDER INFORMATION:

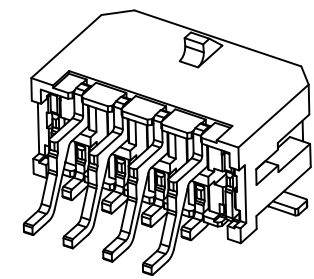


JKUN 温州健坤接插件有限公司 WENZHOU JKUN CONNECTOR CO.,LTD.		TITLE: 3.0 Pitch Wafer 90° SMT	
GENERAL TOLERANCE		USE: CUSTOMER	PART NO.:
X. ±0.50	X. ±5°	APPD: Liuzhengling	A3001AWR-**-F9KB3-R
X.X ±0.30	X.X ±2°	CHKD: Steven	DWG NO.:
X.XX ±0.20	X.XX ±1°	DR: FangSongLe	JKUN-GCKH-0632
⊕	UNITS: mm	SCALE 1 : 1	SHEET 1 / 1

REV	DESCRIPTION	DESIGN	DATE
A0	NEW RELEASE	Lingqing	2019/08/08



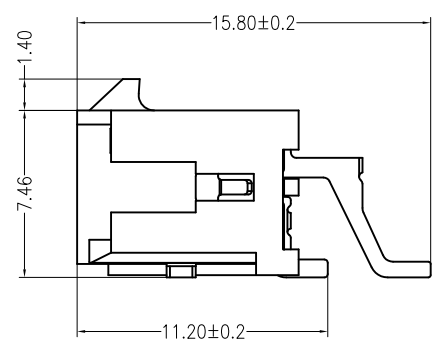
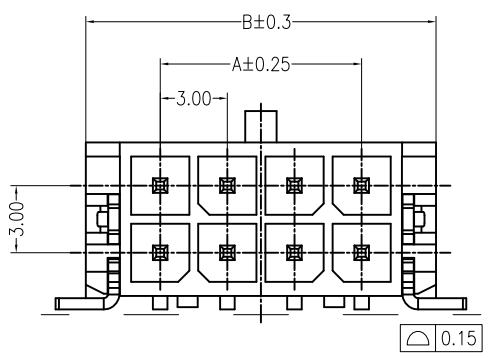
PCB LAYOUT(Tolerance:±0.05)



PIN	DIM A	DIM B
2x2	3.00	9.65
2x3	6.00	12.65
2x4	9.00	15.65
2x5	12.00	18.65
2x6	15.00	21.65
2x7	18.00	24.65
2x8	21.00	27.65
2x9	24.00	30.65
2x10	27.00	33.65
2x11	30.00	36.65
2x12	33.00	39.65

Specifications:

- Contact resistance: ≤10mΩ
- Insulation resistance: ≥1000MΩ
- Rated voltage: 250V AC DC
- Rated current: 5.0A AC DC
- Withstand Voltage: 1000V AC/minute
- Temperature Range: -25°C ~ +85°C
- Housing: LCP UL94V-0, BLACK
- Contacts: Brass/MATTE Sn-plated
- Solder Tabs: Brass/MATTE Sn-plated

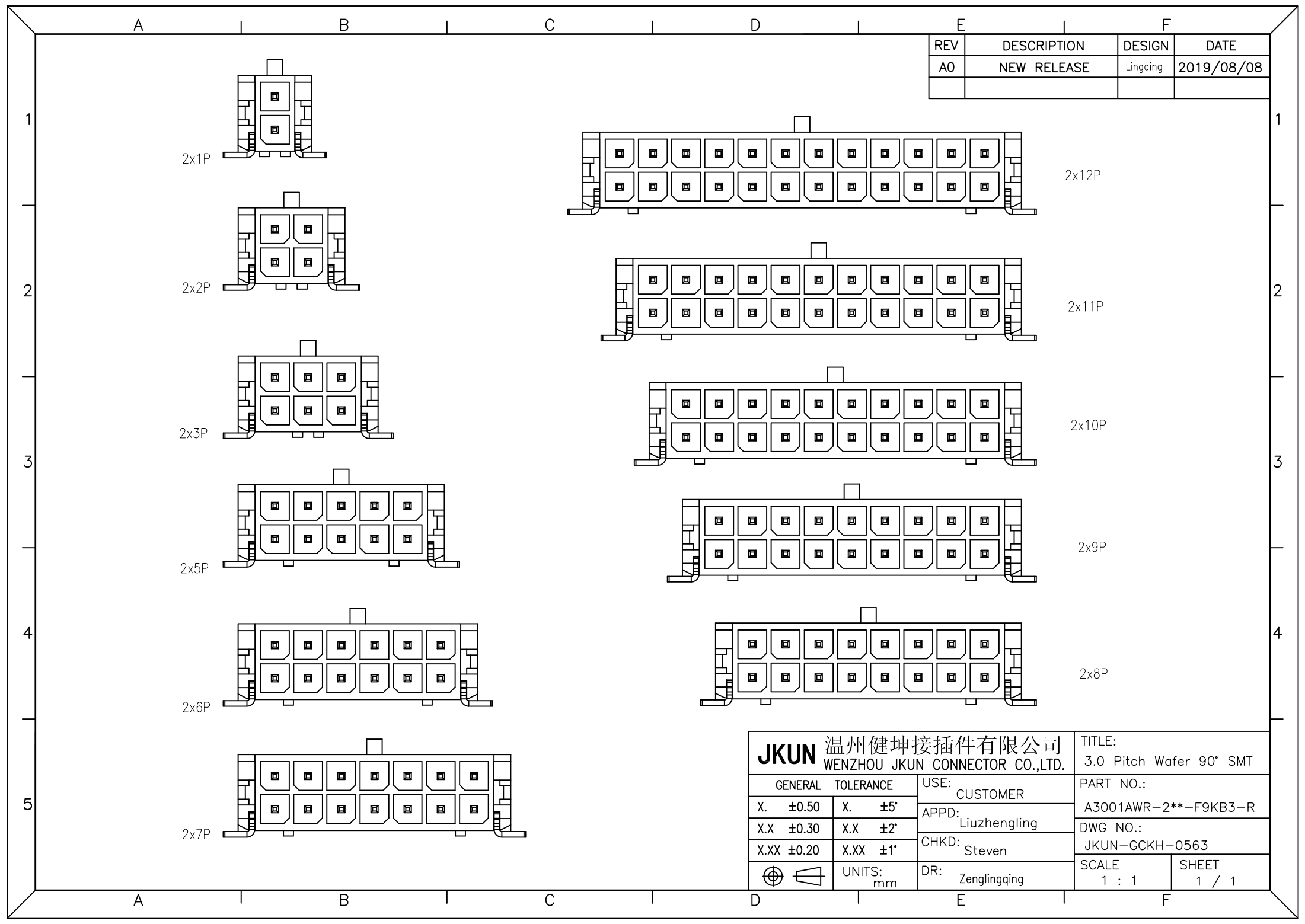


ORDER INFORMATION:

A3001AWR-2-F9KB3-R**

PART No.:	PACKAGING:
No.OF CIRCUITS:	R=REEL
04-24	Metal code:
PLASTIC MATERIAL:	3=Brass
F9K=LCP	PLATING:
	B=MATTE Sn

JKUN 温州健坤接插件有限公司 WENZHOU JKUN CONNECTOR CO.,LTD.		TITLE: 3.0 Pitch Wafer 90° SMT	
GENERAL TOLERANCE		USE:	PART NO.:
X. ±0.50	X. ±5'	CUSTOMER	A3001AWR-2**-F9KB3-R
X.X ±0.30	X.X ±2'	APPD:	DWG NO.:
X.XX ±0.20	X.XX ±1'	Liuzhengling	JKUN-GCKH-0563
CHKD:	STEVEN	DR:	SCALE
UNITS:	Zenglingqing	1 : 1	SHEET
mm			1 / 1



REV	DESCRIPTION	DESIGN	DATE
A0	NEW RELEASE	Lingqing	2019/08/08

2x1P

2x12P

2x2P

2x11P

2x3P

2x10P

2x5P

2x9P

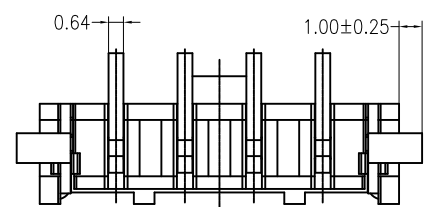
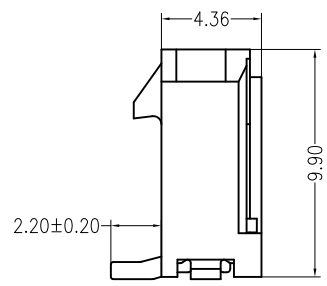
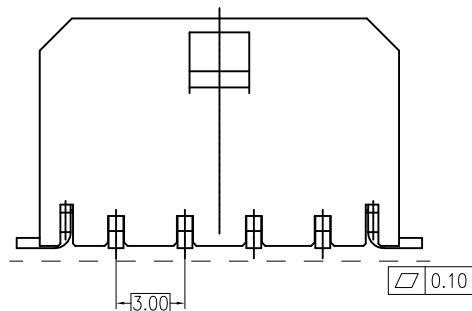
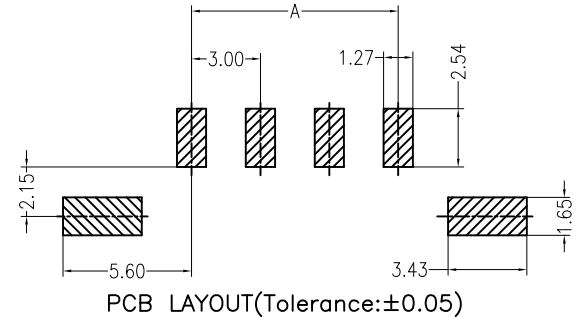
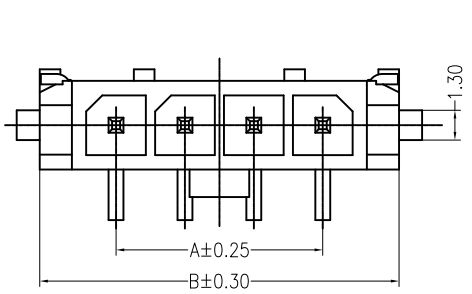
2x6P

2x8P

2x7P

JKUN 温州健坤接插件有限公司 WENZHOU JKUN CONNECTOR CO.,LTD.		TITLE: 3.0 Pitch Wafer 90° SMT	
GENERAL TOLERANCE		USE: CUSTOMER	PART NO.:
X. ±0.50	X. ±5°	APPD: Liuzhengling	A3001AWR-2**-F9KB3-R
X.X ±0.30	X.X ±2°	CHKD: Steven	DWG NO.:
X.XX ±0.20	X.XX ±1°	DR: Zenglingqing	JKUN-GCKH-0563
		UNITS: mm	SCALE
			SHEET
			1 : 1
			1 / 1

REV	DESCRIPTION	DESIGN	DATE
A0	NEW RELEASE	FangSongLe	2019/07/13

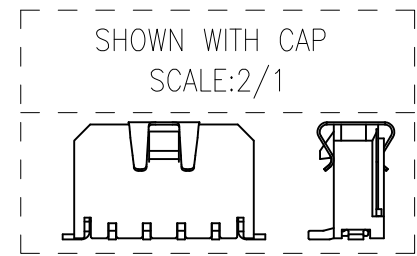
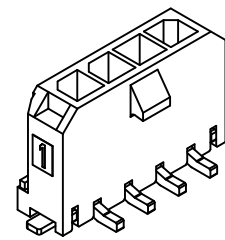
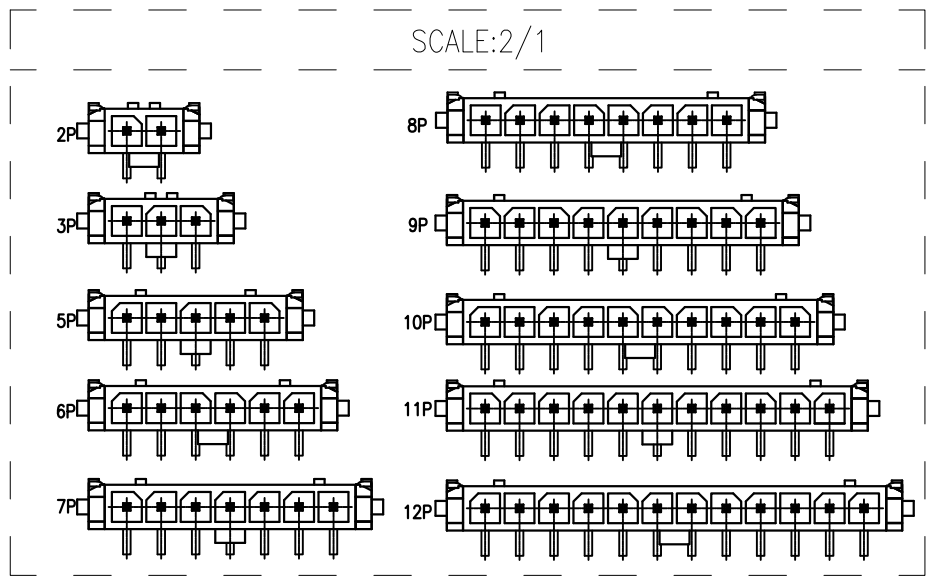


Specifications:
 Contact resistance: ≤10mΩ
 Insulation resistance: ≥1000MΩ
 Rated voltage: 250V AC DC
 Rated current: 5.0A AC DC
 Withstand Voltage: 1000V AC/minute
 Temperature Range: -25°C ~ +85°C
 Housing: LCP UL94V-0, BLACK
 Contacts: Brass/MATTE Sn-plated
 Solder Tabs: Brass/MATTE Sn-plated
 CAP: Stainless steel

ORDER INFORMATION:

A3001AWV-**-F9KB3-R-X

L X:CAP
 PACKAGING:
 R=REEL
 Metal code:
 J=Brass
 PLATING:
 B=MATTE Sn
 PART No. _____
 No.OF CIRCUITS: _____
 02-12
 PLASTIC MATERIAL: _____
 F9K=LCP

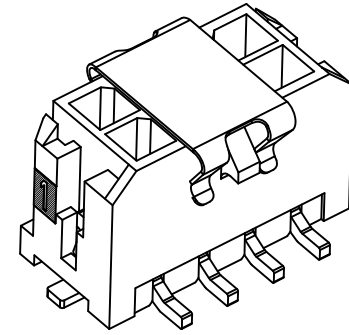


PIN	DIM A	DIM B
2	3.00	9.65
3	6.00	12.65
4	9.00	15.65
5	12.00	18.65
6	15.00	21.65
7	18.00	24.65
8	21.00	27.65
*9	24.00	30.65
*10	27.00	33.65
*11	30.00	36.65
*12	33.00	39.65

JKUN 温州健坤接插件有限公司 WENZHOU JKUN CONNECTOR CO.,LTD.		TITLE: 3.0 Pitch Wafer 180° SMT	
GENERAL TOLERANCE		USE: CUSTOMER	PART NO.:
X. ±0.50	X. ±5°	APPD: Liuzhengling	A3001AWV-**-F9KB3-R-X
X.X ±0.30	X.X ±2°	CHKD: Steven	DWG NO.:
X.XX ±0.20	X.XX ±1°	DR: FangSongLe	JKUN-GCKH-0769
UNITS: mm		SCALE 1 : 1	SHEET 1 / 1

REV	DESCRIPTION	DESIGN	DATE
A0	NEW RELEASE	Lingqing	2019/08/08

PIN	DIM A	DIM B
2x2	3.00	9.65
2x3	6.00	12.65
2x4	9.00	15.65
2x5	12.00	18.65
2x6	15.00	21.65
2x7	18.00	24.65
2x8	21.00	27.65
2x9	24.00	30.65
2x10	27.00	33.65
2x12	33.00	39.65



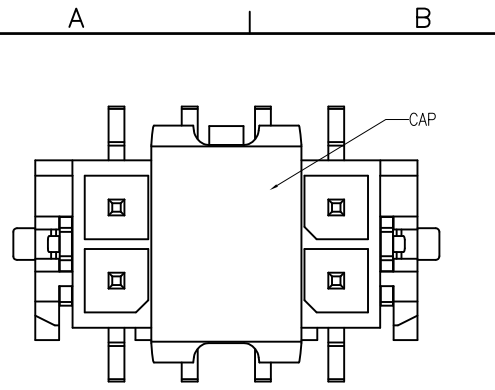
Specifications:

- Contact resistance: $\leq 10m\Omega$
- Insulation resistance: $\geq 1000M\Omega$
- Rated voltage: 250V AC DC
- Rated current: 5.0A AC DC
- Withstand Voltage: 1000V AC/minute
- Temperature Range: $-25^{\circ}C \sim +85^{\circ}C$
- Housing: LCP UL94V-0, BLACK
- Contacts: Brass/MATTE Sn-plated
- Solder Tabs: Brass/MATTE Sn-plated

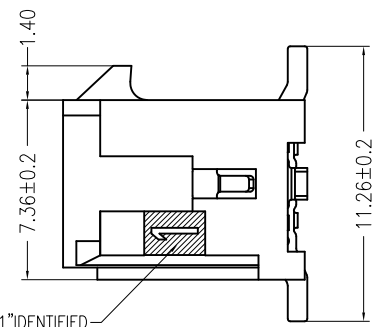
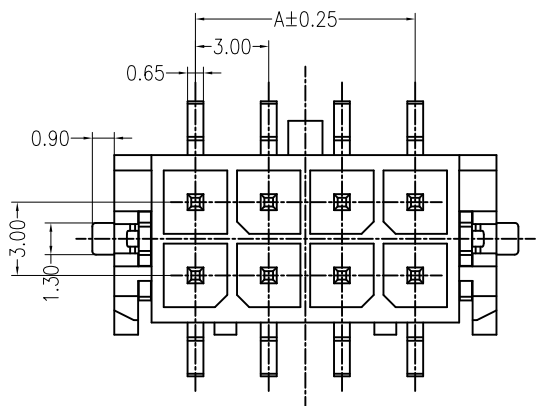
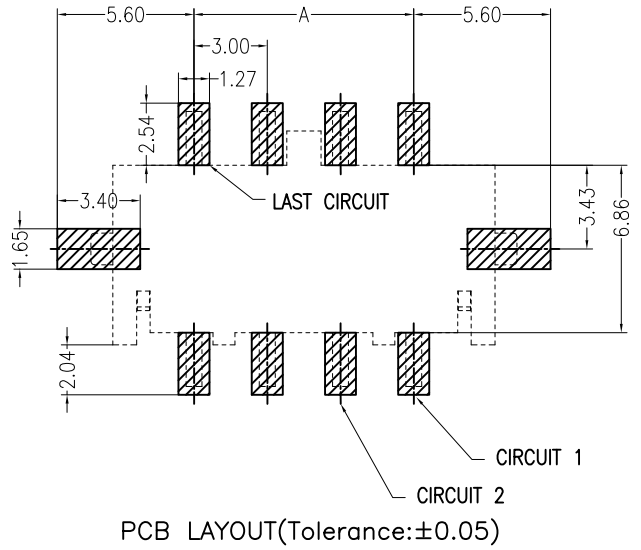
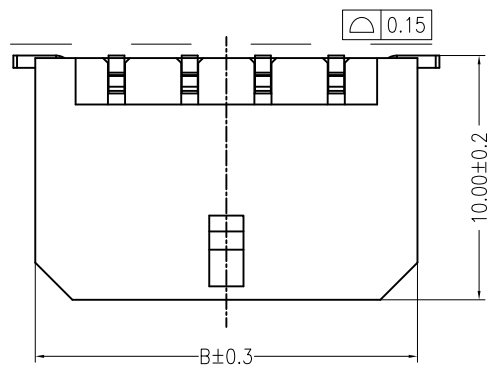
ORDER INFORMATION:

A3001AWV-2-F9KB3-R-X**

PART No.:	A3001AWV-2**	SPECIAL CODE:	X=Cap
No.OF CIRCUITS:	02-24	PACKAGING:	R=REF
PLASTIC MATERIAL:	F9K=LCP	Metal code:	3=Brass
		PLATING:	B=MATTE Sn

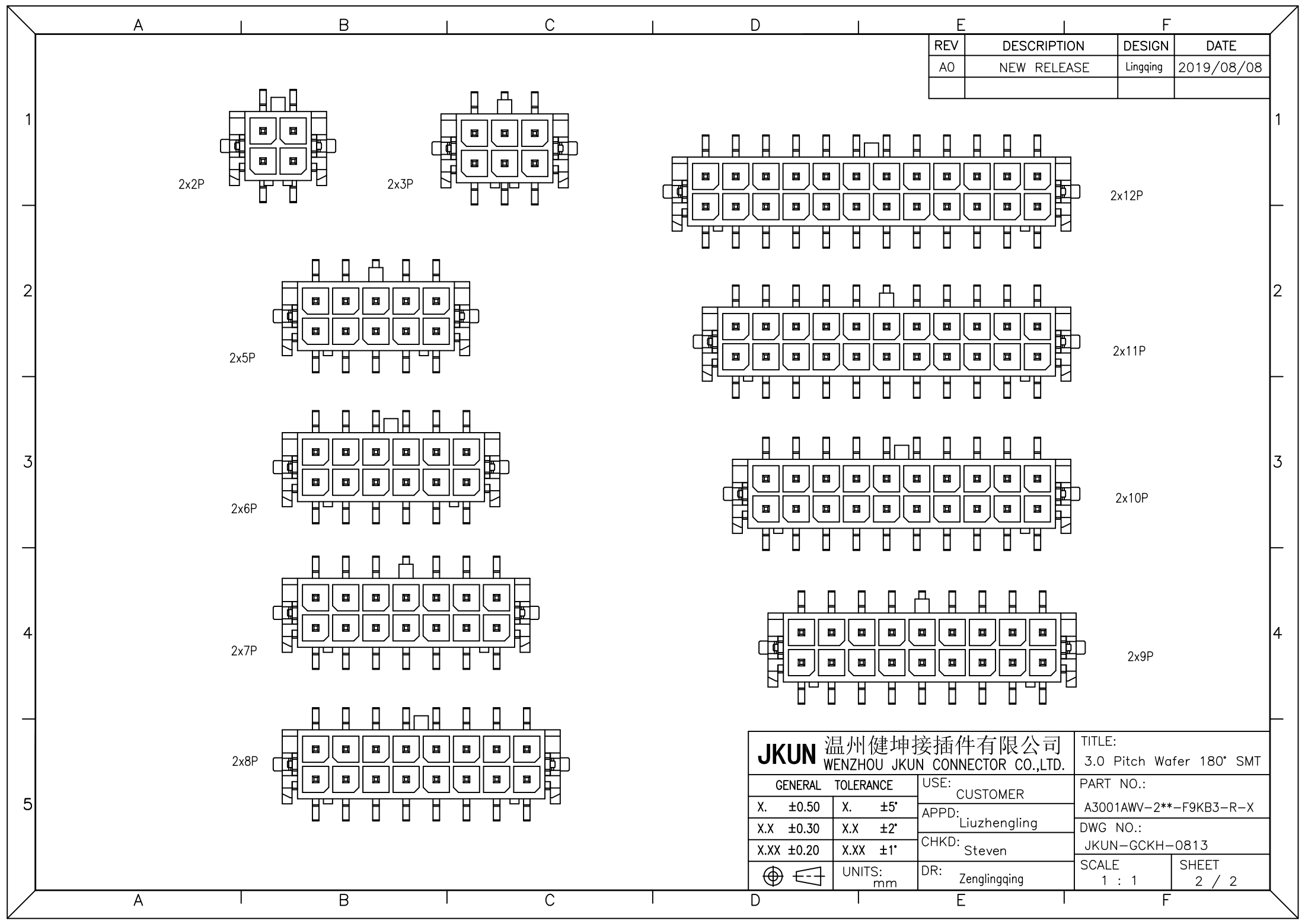


WITH COVER



CIRCUIT*1 IDENTIFIED ON THIS SURFACE (APPROX. LOCATION SHOWN FOR REF.)

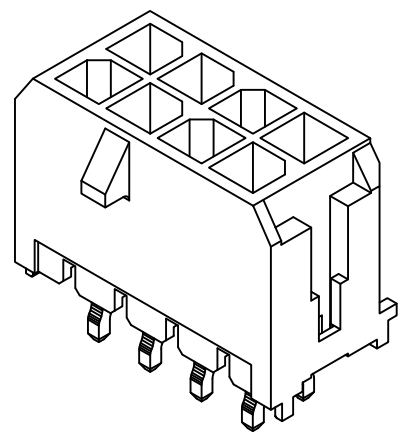
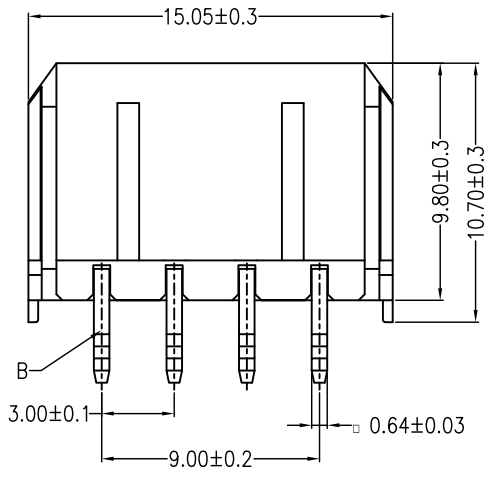
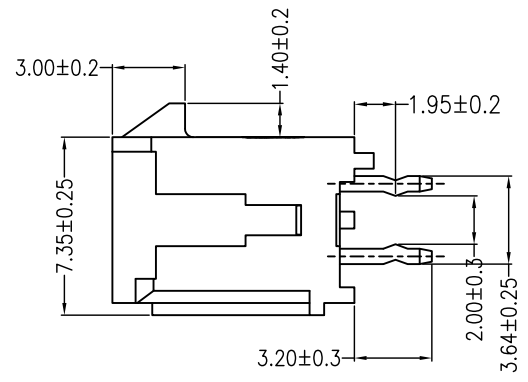
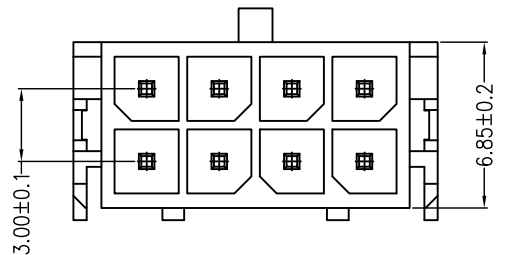
JKUN 温州健坤接插件有限公司 WENZHOU JKUN CONNECTOR CO.,LTD.		TITLE: 3.0 Pitch Wafer 180° SMT	
GENERAL TOLERANCE		USE: CUSTOMER	PART NO.:
X. ±0.50	X. ±5°	APPD: Liuzhengling	A3001AWV-2**-F9KB3-R-X
X.X ±0.30	X.X ±2°	CHKD: Steven	DWG NO.:
X.XX ±0.20	X.XX ±1°	DR: Zenglingqing	JKUN-GCKH-0813
UNITS: mm		SCALE 1 : 1	SHEET 1 / 2



REV	DESCRIPTION	DESIGN	DATE
A0	NEW RELEASE	Lingqing	2019/08/08

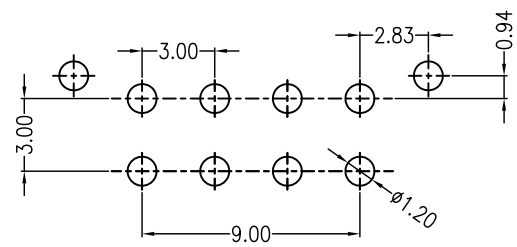
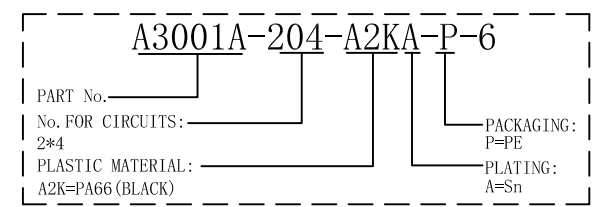
JKUN 温州健坤接插件有限公司 WENZHOU JKUN CONNECTOR CO.,LTD.		TITLE: 3.0 Pitch Wafer 180° SMT	
GENERAL TOLERANCE		USE: CUSTOMER	PART NO.: A3001AWV-2**-F9KB3-R-X
X. ±0.50	X. ±5°	APPD: Liuzhengling	DWG NO.: JKUN-GCKH-0813
X.X ±0.30	X.X ±2°	CHKD: Steven	SCALE 1 : 1
X.XX ±0.20	X.XX ±1°	DR: Zenglingqing	SHEET 2 / 2
 UNITS: mm			

REV	DESCRIPTION	DESIGN	DATE
A	NEW RELEASE		2016.10.22



Specifications:
 Contact resistance: ≤10mΩ
 Insulation resistance: ≥1000MΩ
 Rated voltage: 250V AC DC
 Rated current: 5.0A AC DC
 Withstand Voltage: 1500V AC/minute
 Temperature Range: -25°C ~ +85°C
 Housing: PA66 UL94V-0, BLACK
 Contacts: Brass/Sn-plated

ORDER INFORMATION:



SUGGESTED PCB LAYOUT

JKUN 温州健坤接插件有限公司 WENZHOU JKUN CONNECTOR CO.,LTD.		TITLE: 3.0mmPITCH 180°WAFER DIP TYPE	
GENERAL TOLERANCE		USE: CUSTOMER	PART NO.:
X. ±0.50	X. ±5°	APPD: Shaojinghe	A3001A-204-A2KA-P-6
X.X ±0.30	X.X ±2°	CHKD: Fangsongle	DWG NO.:
X.XX ±0.20	X.XX ±1°	DR: Zenglingqing	JKUN-GCKH-0953
⊕	UNITS: mm	SCALE 1 : 1	SHEET 1 / 1

A

B

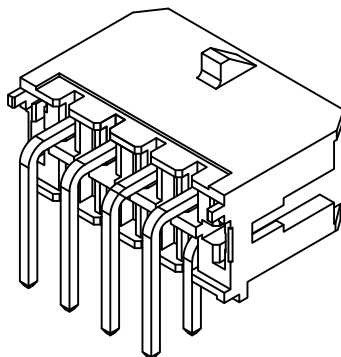
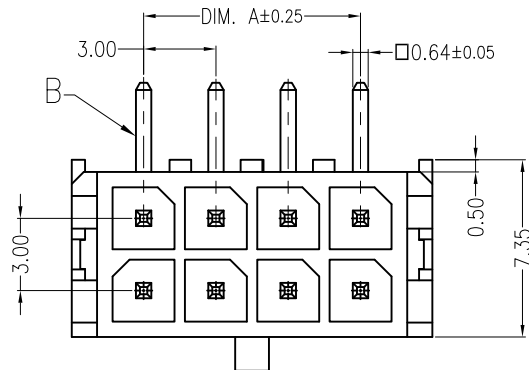
C

D

E

F

REV	DESCRIPTION	DESIGN	DATE
A0	Release	吴丹平	2016.10.22



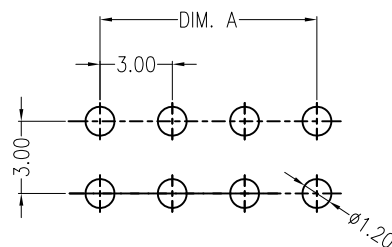
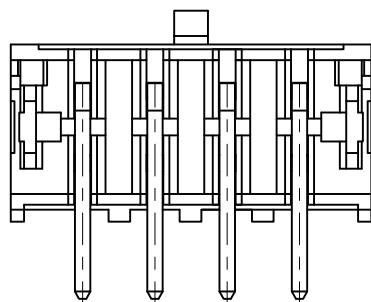
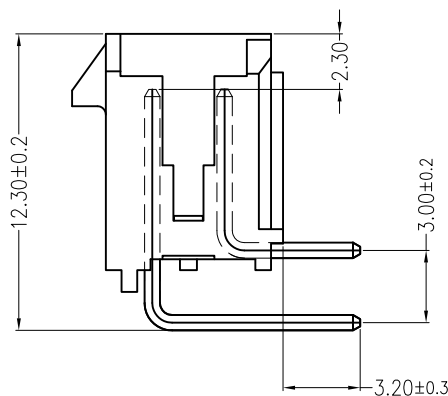
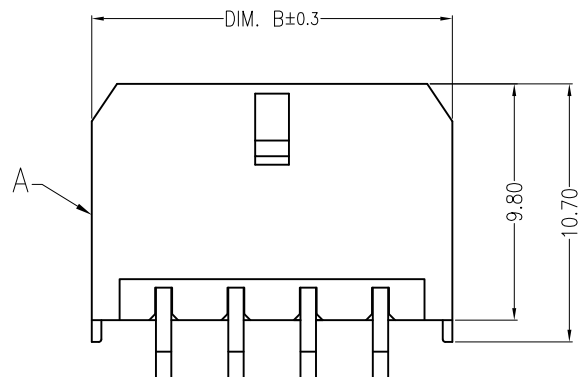
PART NO.	Dimensions (mm)	
	DIM. A	DIM. B
A3001AW-203	6.00	12.05
A3001AW-204	9.00	15.05

主要技术参数 Main Specifications

线 数 (Poles): 02 to 24
 接触电阻 (Contact resistance): $\leq 10\text{m}\Omega$
 绝缘电阻 (Insulation resistance): $\geq 1000\text{M}\Omega$
 额定电压 (Rated voltage): 250V AC DC
 额定电流 (Rated current): 5.0A AC DC
 耐电压 (Withstand Voltage): 1500V AC/minute
 温度范围 (Temperature Range): $-25^{\circ}\text{C} \sim +85^{\circ}\text{C}$

ORDER INFORMATION:

A3001AW-***-A2KA-P			
PART No.:			
No. FOR CIRCUITS:			PACKAGING:
203~204			P=PE
PLASTIC MATERIAL:			PLATING:
A2K=PA66 (BLACK)			A=Sn



SUGGESTED PCB LAYOUT

ITEM	COMPONENT	Q'TY	MATERIAL	FINISH
C				
B	CONTACT	2*3~2*4PCS	Brass	Sn-plated
A	PEDESTAL	1 PCS	PA66	UL 94V-0, COLOR:BLACK

JKUN 温州健坤接插件有限公司 WENZHOU JKUN CONNECTOR CO., LTD.		TITLE: - 2.5mmPITCH 180°WAFER DIP TYPE	
X±0.5	X±5'	USE:	PART NO.:
.X±0.3	.X±2'		A3001AW-***-A2KA-P
.XX±0.25	.XX±1'	APPD:	DWG NO.:
--	--	邵敬和	JKUN-GCCP-0686
⊕	◁	CHKD:	SCALE
UNITS:	DR:	田峰	1 : 1
mm	吴丹平		SHEET
			1 / 1

A

B

C

D

E

F

A

B

C

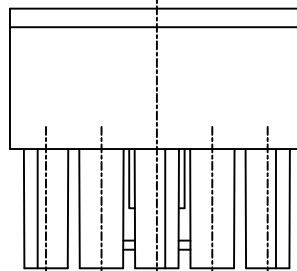
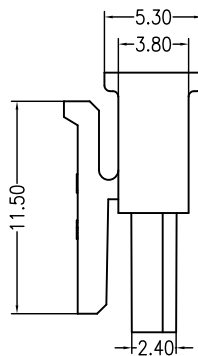
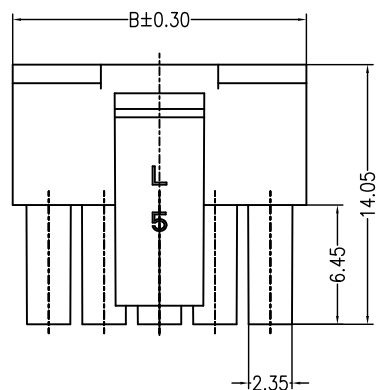
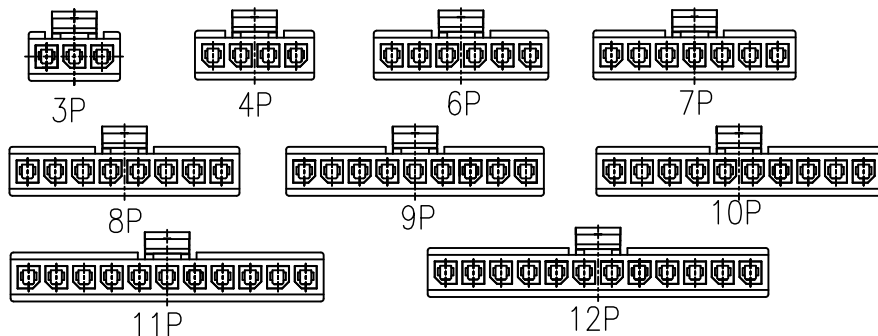
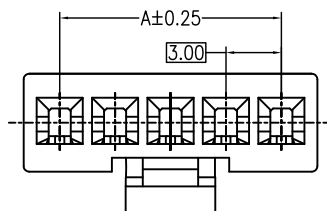
D

E

F

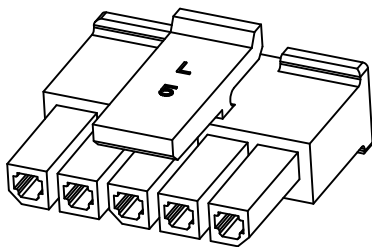
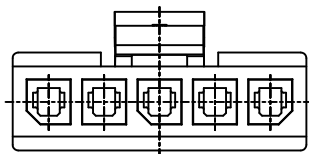
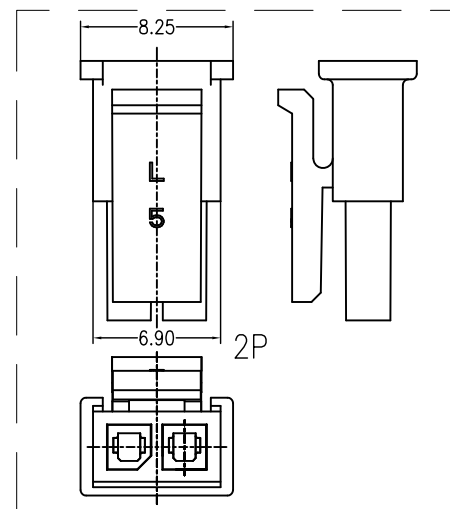
REV	DESCRIPTION	DESIGN	DATE
A	NEW RELEASE	Fangsongle	2021/01/02

SCALE:1/2



Specifications:

Poles: 02 to 12
 Contact resistance: $\leq 10\text{m}\Omega$
 Insulation resistance: $\geq 1000\text{M}\Omega$
 Rated voltage: 250V AC DC
 Rated current: 5.0A AC DC
 Withstand Voltage: 1000V AC/minute
 Temperature Range: $-25^{\circ}\text{C} \sim +85^{\circ}\text{C}$
 Material: PA66 UL94V-0, BLACK



PIN.	DIM A	DIM B
2pin	3.00	6.90
3pin	6.00	9.90
4pin	9.00	12.90
5pin	12.00	15.90
6pin	15.00	18.90
7pin	18.00	21.90
8pin	21.00	24.90
9pin	24.00	27.90
10pin	27.00	30.90
11pin	30.00	33.90
12pin	33.00	36.90

ORDER INFORMATION:

A3001Y-**-A7K-P	
PART No. _____	PACKAGING: P=PE
No.OF CIRCUITS: 02-12	PLASTIC MATERIAL: A7K=PA66

JKUN 温州健坤接插件有限公司
 WENZHOU JKUN CONNECTOR CO.,LTD.

TITLE:
3.00mmPITCH Housing

GENERAL TOLERANCE		USE:	PART NO.:
X. ± 0.50	X. $\pm 5^{\circ}$	CUSTOMER	
X.X ± 0.30	X.X $\pm 2^{\circ}$	APPD: Wangfeng	DWG NO.:
X.XX ± 0.20	X.XX $\pm 1^{\circ}$	CHKD: Zenglingqin	JKUN-GCCP-0564
		DR: Fangsongle	SCALE
UNITS: mm			SHEET
			1 : 1
			1 / 1

A

B

C

D

E

F

A

B

C

D

E

F

REV	DESCRIPTION	DESIGN	DATE
A	NEW RELEASE	Lingqing	2020/12/25

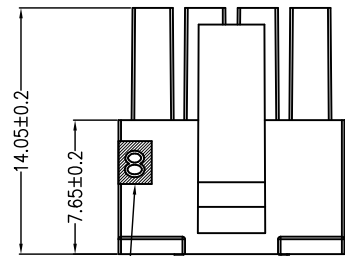
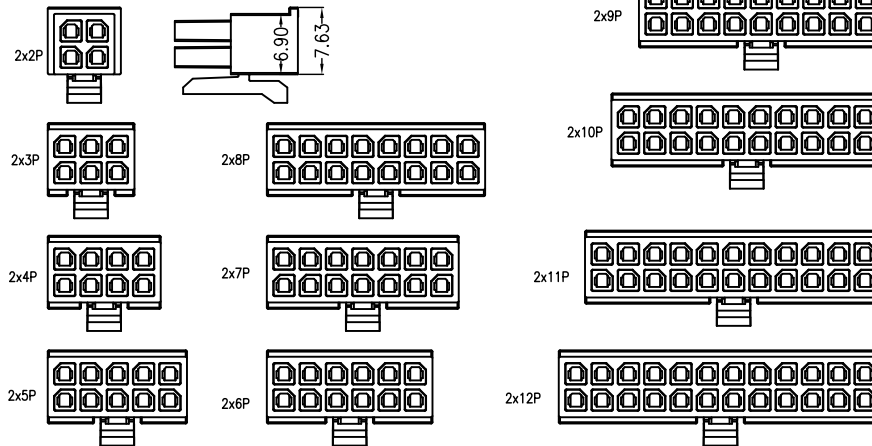
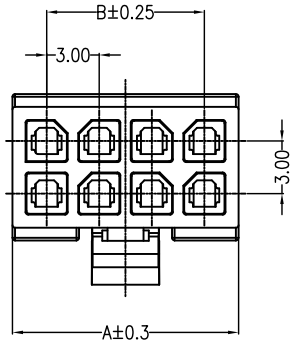
1

2

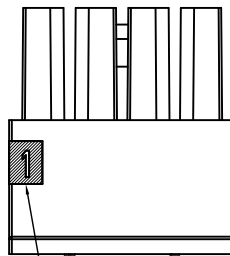
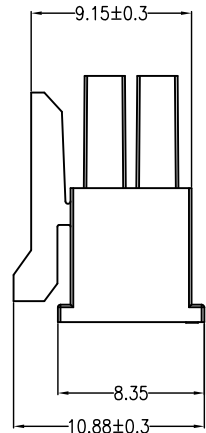
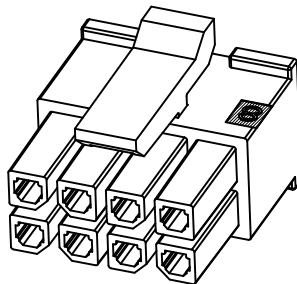
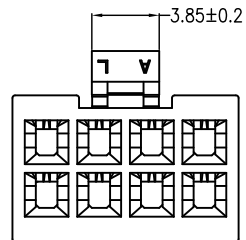
3

4

5



LAST CIRCUIT

FIRST CIRCUIT
IDENTIFIER SYMBOL

Specifications:

Contact resistance: $\leq 10\text{m}\Omega$ Insulation resistance: $\geq 1000\text{M}\Omega$

Rated voltage: 250V AC DC

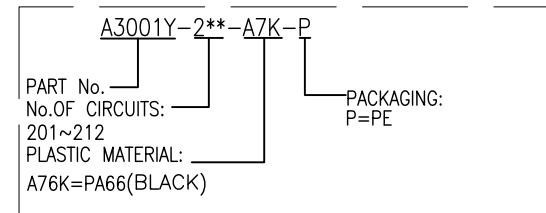
Rated current: 5.0A AC DC

Withstand Voltage: 1000V AC/minute

Temperature Range: $-25^{\circ}\text{C} \sim +85^{\circ}\text{C}$

Housing: PA66 UL94V-0, BLACK

ORDER INFORMATION:



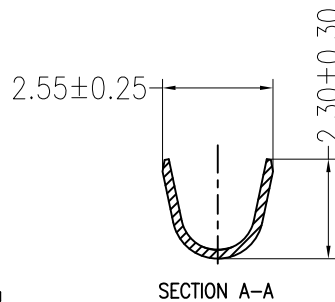
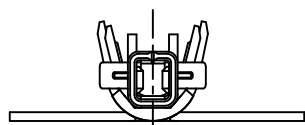
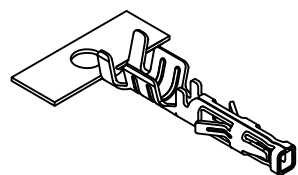
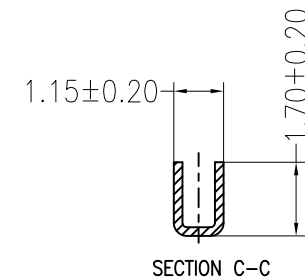
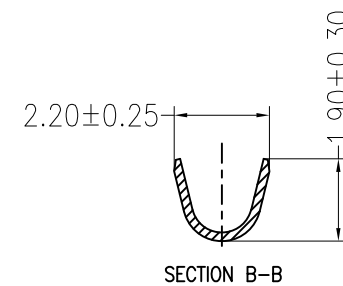
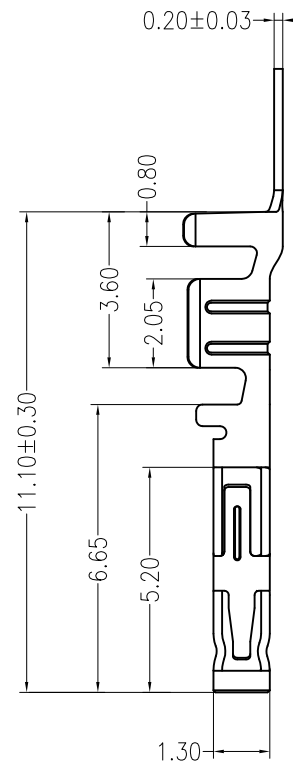
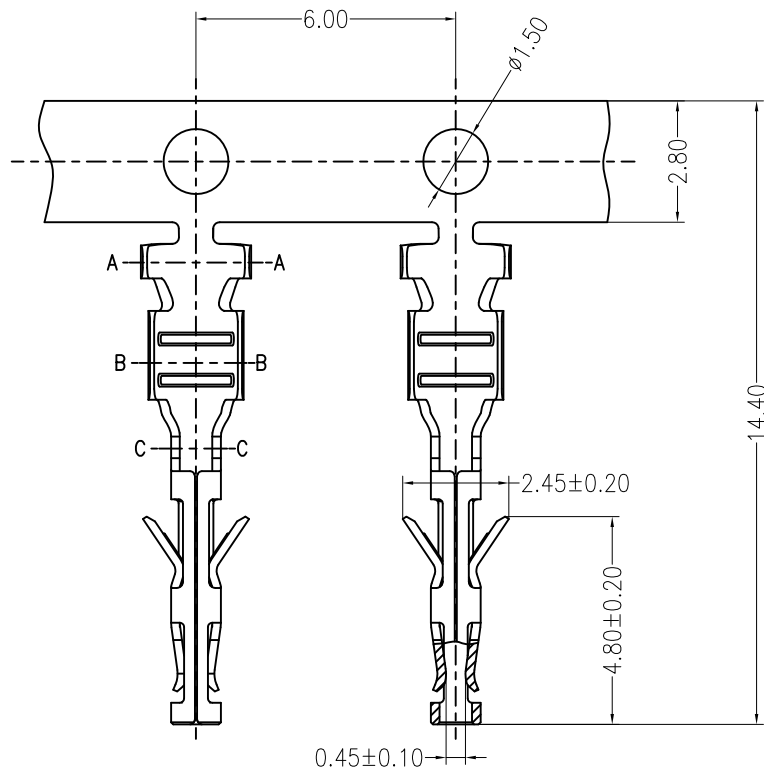
Circuits	Dimensions (mm)	
	A	B
2*2	6.90	3.00
2*3	9.90	6.00
2*4	12.90	9.00
2*5	15.90	12.00
2*6	18.90	15.00
2*7	21.90	18.00
2*8	24.90	21.00
2*9	27.90	24.00
2*10	30.90	27.00
2*11	33.90	30.00
2*12	36.90	33.00

JKUN 温州健坤接插件有限公司
WENZHOU JKUN CONNECTOR CO.,LTD.

TITLE:
3.0mm PITCH Housing

GENERAL TOLERANCE		USE:	PART NO.:	
X. ± 0.50	X. $\pm 5^{\circ}$	CUSTOMER		A3001Y-2**-A7K-P
X.X ± 0.30	X.X $\pm 2^{\circ}$	APPD: WangFeng	DWG NO.:	
X.XX ± 0.20	X.XX $\pm 1^{\circ}$	CHKD: Shaojinghe	JKUN-GCKH-0676	
	UNITS: mm	DR: Zenglingqing	SCALE	SHEET
		1 : 1	1 / 1	

REV	DESCRIPTION	DESIGN	DATE
A	NEW RELEASE	Fangsongle	2021/06/07

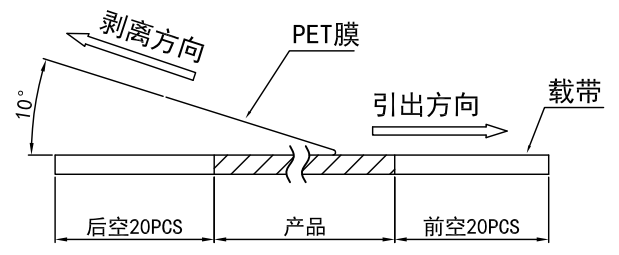
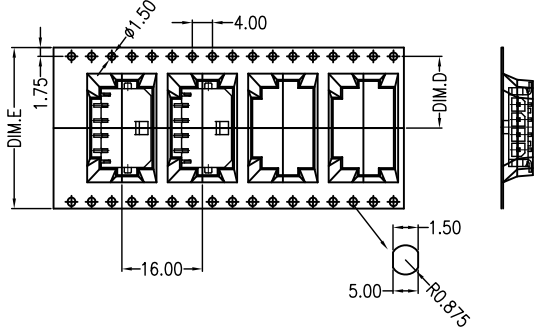
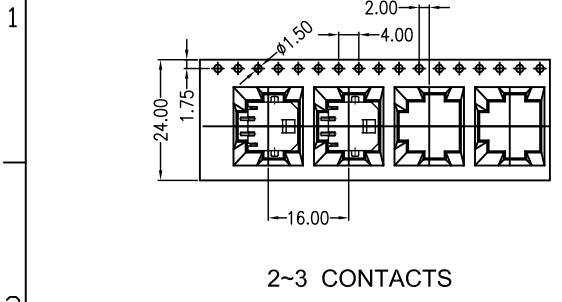


Ordering Information & Specification:

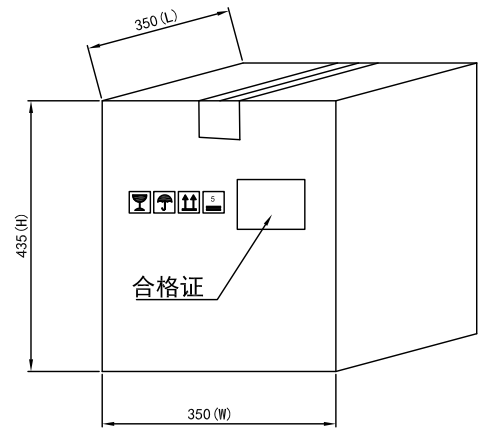
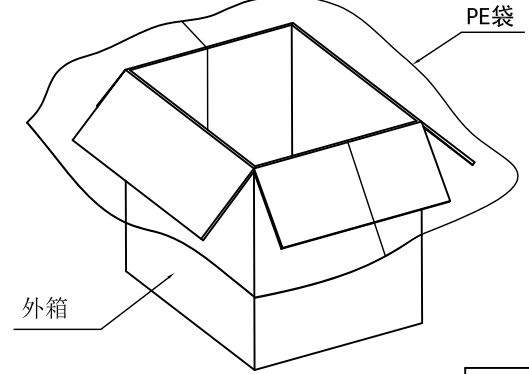
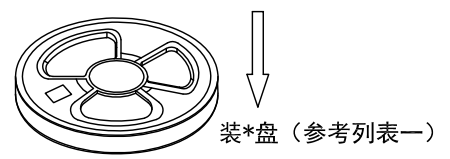
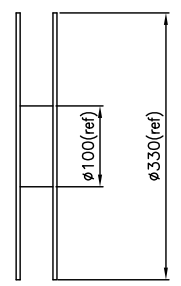
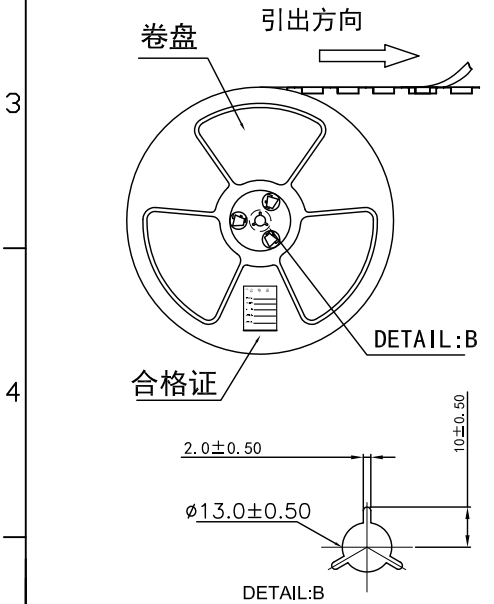
Part No	Wire Range	Insulation O.D.	Material	Finish	Qty/Reel
A3001T-01端子	AWG #20~#24	1.40~1.80mm	Phosphor bronze	Sn-plated	

JKUN 温州健坤接插件有限公司 WENZHOU JKUN CONNECTOR CO.,LTD.			TITLE: 3.0mmPITCH Terminal		
GENERAL TOLERANCE		USE:	PART NO.:		
X. ±0.50	X. ±5'	CUSTOMER	A3001T Terminal		
X.X ±0.30	X.X ±2'	APPD: Wangfeng	DWG NO.:		
X.XX ±0.20	X.XX ±1'	CHKD: Zenglingqin	JKUN-GCDZ-0012		
⊕	∇	UNITS: mm	DR: Fangsongle	SCALE 1 : 1	SHEET 1 / 1

REV	ECN No.	DESCRIPTION	DESIGN	DATE
A		Release	蒋建银	2018.12.01



产品引出方向

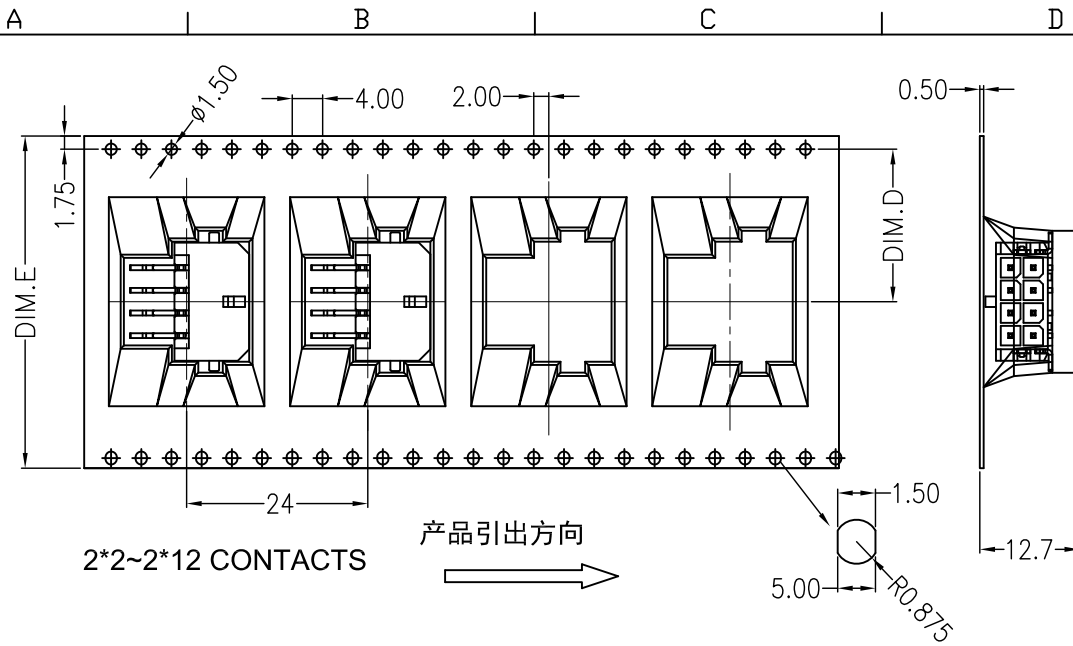


- 包装说明:
- 把成品包入卷盘中, 每盘装500PCS, 卷盘上贴上合格证, 将装好产品的卷盘放进外箱中, 外箱内先套一个大PE袋, 外箱上贴贴上合格证.
 - 所有材料有害物控制需符合RoHS标准.

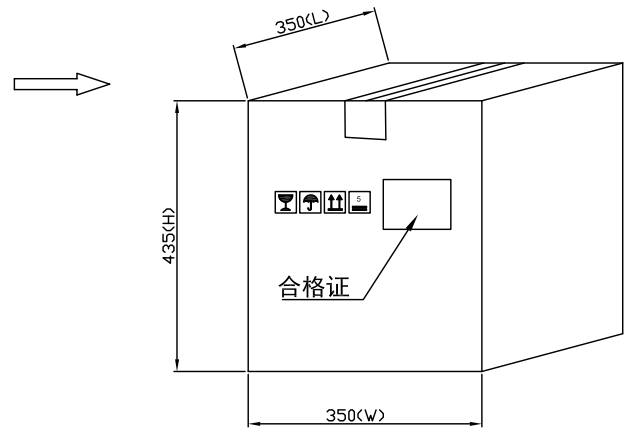
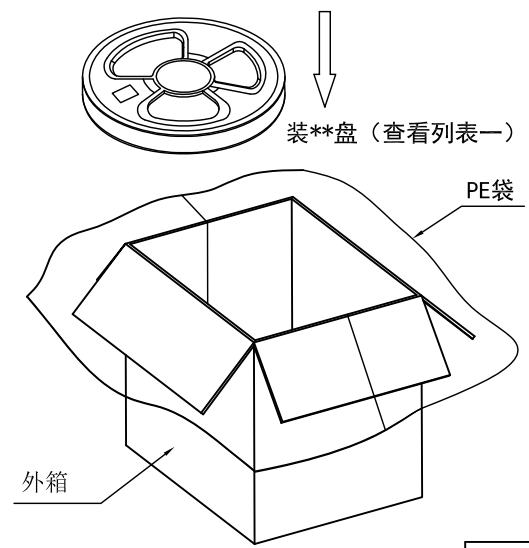
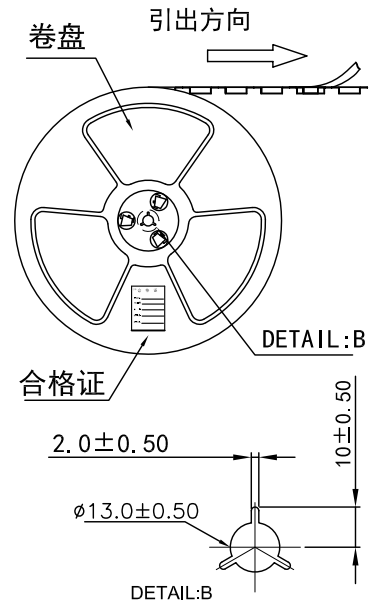
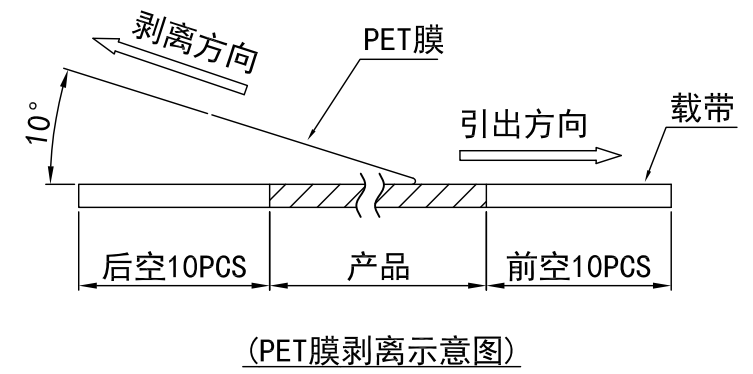
列表一

Circuits	DIM. D	DIM. E	Q'ty/Reel	Packing (Reel/Caton)
2~3 PIN	-	24	500PCS	15/Reel
4 PIN	14.25	32	500PCS	11/Reel
5~8 PIN	20.2	44	500PCS	8/Reel
9~12 PIN	26.2	56	500PCS	7/Reel

JKUN 温州健坤接插件有限公司 WENZHOU JKUN CONNECTOR CO., LTD.			TITLE: A3001AWR 包装规范	
X.± 0.5	X.±*	USE: MANUFACTURE	PART NO.:	
.X± 0.3	.X±*	APPD: 王亮	A3001AWR-** 单排	
.XX±0.25	.XX±*	CHKD: 曾令青	DWG NO.:	
--	--	DR: 蒋建银	JKUN/GCBZ-0632	
UNITS: mm		SCALE 1 : 1	SHEET 1 / 1	



REV	ECN No.	DESCRIPTION	DESIGN	DATE
A		Release	蒋建银	2018.12.01



列表一

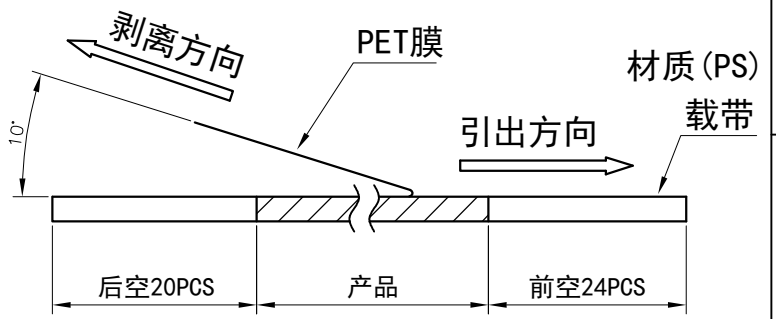
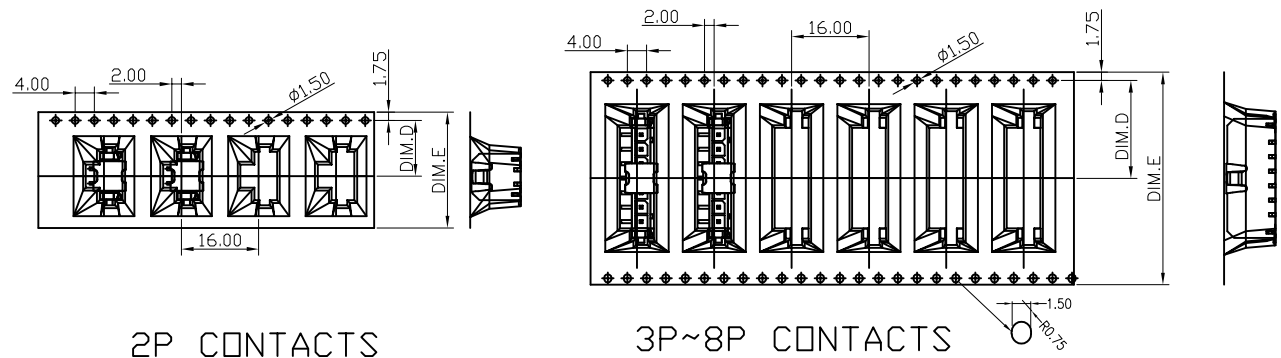
Circuits	DIM. D	DIM. E	Q'ty/Reel	Packing (Reel/Caton)
2*2~2*3 PIN	14.25	32	200PCS	11/Reel
2*4~2*7 PIN	20.2	44	200PCS	8/Reel
2*8~2*11PIN	26.2	56	200PCS	7/Reel
2*12 PIN	34.25	72	200PCS	5/Reel

包装说明:

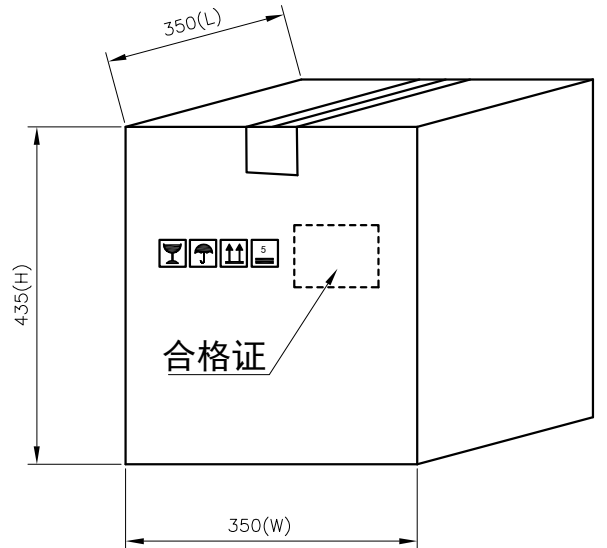
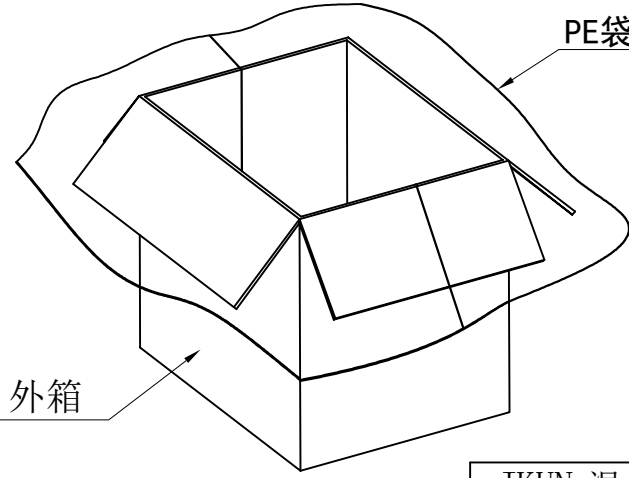
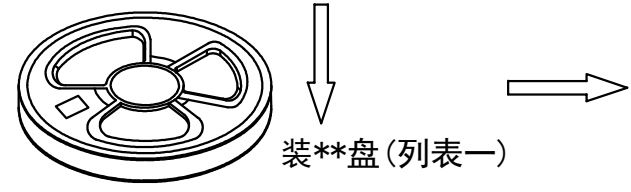
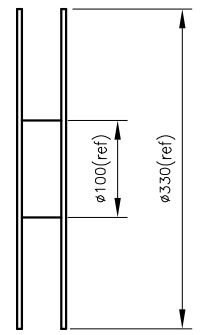
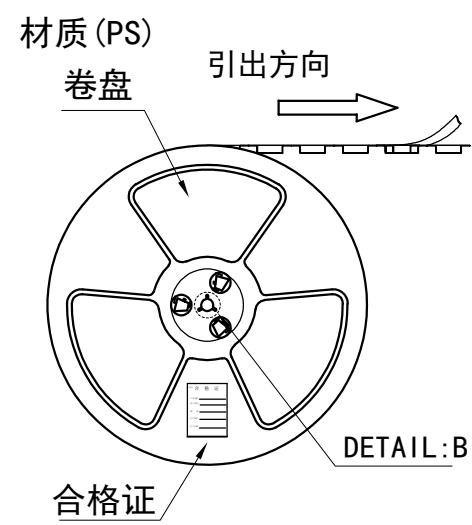
- 把成品包入卷盘中, 每盘装200PCS, 卷盘上贴上合格证, 将装好产品的卷盘放进外箱中, 外箱内先套一个大PE袋, 外箱上贴贴上合格证.
- 所有材料有害物控制需符合RoHS标准.

JKUN 温州健坤接插件有限公司 WENZHOU JKUN CONNECTOR CO., LTD.			TITLE: A3001AWR 包装规范	
X.± 0.5	X.±'	USE: MANUFACTURE	PART NO.:	
.X± 0.3	.X±'		A3001AWR-2** 卷装	
.XX±0.25	.XX±'	APPD: 王亮	DWG NO.:	
--	--	CHKD: 曾令青	JKUN/GCBZ-0563	
⊕	◁	UNITS: mm	DR: 蒋建银	SCALE 1 : 1
			SHEET 1 / 1	

REV	ECN No.	DESCRIPTION	DESIGN	DATE
A		Release	程永海	2022.09.14



(PET膜剥离示意图)



列表一

Circuits	DIM. D	DIM. E	Q'ty/Reel	Packing (Reel/Caton)
2PIN	11.5	24	200PCS	15/Reel
3PIN~4PIN	14.20	32	200PCS	11/Reel
5PIN~8PIN	20.20	44	200PCS	8/Reel

包装说明:

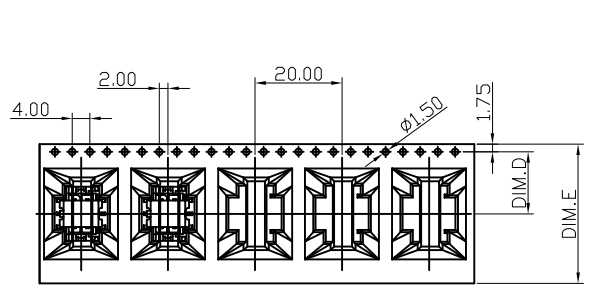
- 把成品包入卷盘中, 每盘装200PCS, 卷盘上贴上合格证, 将装好产品的卷盘放进外箱中, 外箱内先套一个大PE袋, 外箱上贴贴上合格证.
- 所有材料有害物控制需符合RoHS标准.

JKUN 温州健坤接插件有限公司
WENZHOU JKUN CONNECTOR CO., LTD.

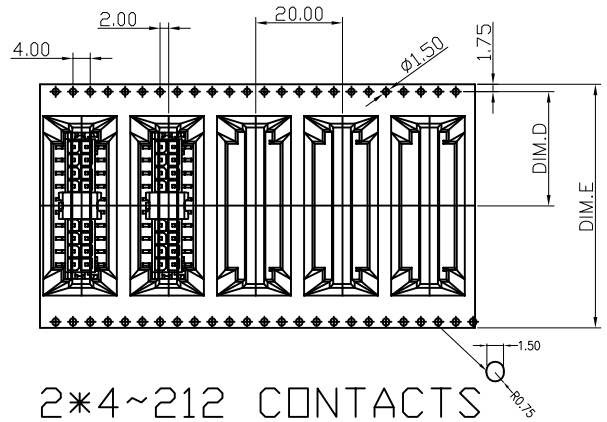
X.± 0.5	X.±'	USE: MANUFACTURE
.X± 0.3	.X±'	
.XX± 0.25	.XX±'	
--	--	APPD: 朱志刚
		CHKD: 蒋建银
UNITS: mm		DR: 程永海

TITLE: --	
PART NO.: A3001AWV 单排 卷装规范	
DWG NO.: JKUN-GCBZ-0769	
SCALE 1 : 1	SHEET 1 / 1

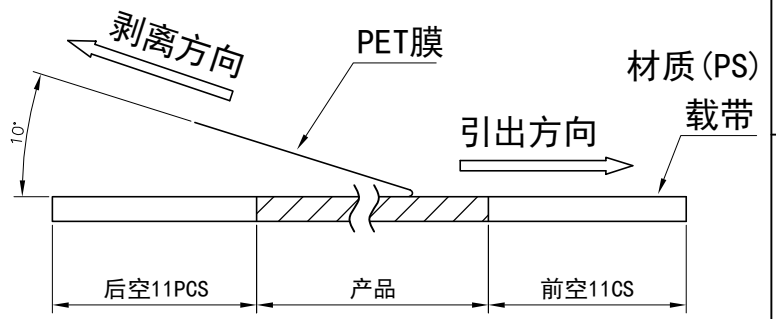
REV	ECN No.	DESCRIPTION	DESIGN	DATE
A		Release	程永海	2022.09.13



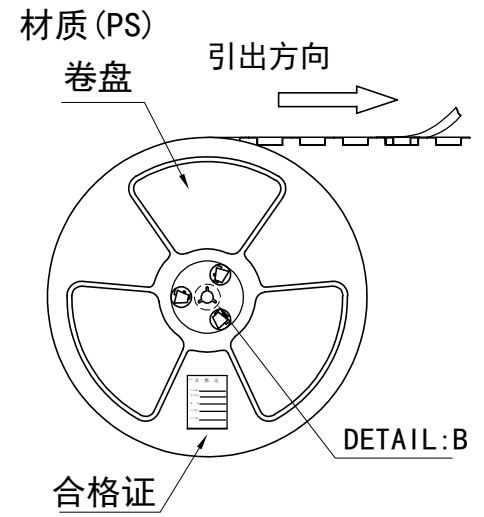
2*2~2*3 CONTACTS



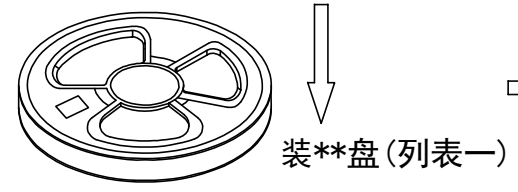
2*4~212 CONTACTS



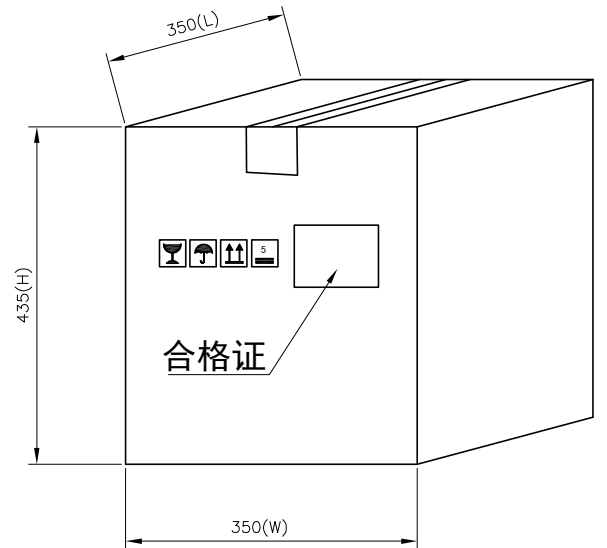
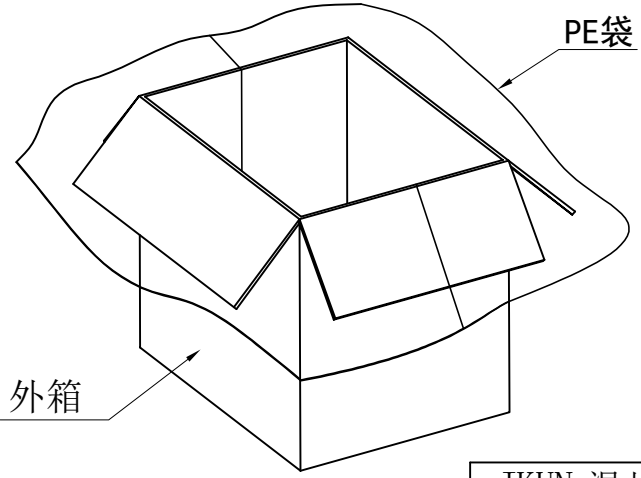
(PET膜剥离示意图)



产品引出方向



装**盘(列表一)



列表一

Circuits	DIM. D	DIM. E	Q'ty/Reel	Packing (Reel/Caton)
2*2~2*3	14.20	32	200PCS	11/Reel
2*4~2*8	20.20	44	200PCS	8/Reel
2*10~2*11	26.20	56	200PCS	7/Reel
2*12	34.25	72	200PCS	5/Reel

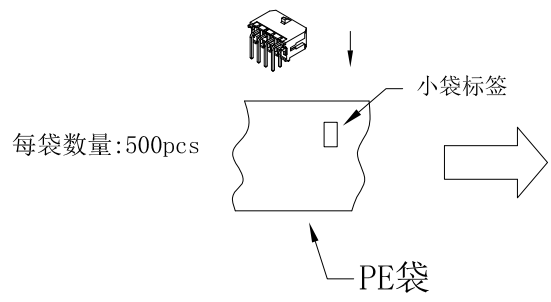
包装说明:
 1. 把成品包入卷盘中, 每盘装200PCS, 卷盘上贴上合格证, 将装好产品的卷盘放进外箱中, 外箱内先套一个大PE袋, 外箱上贴贴上合格证.
 2. 所有材料有害物控制需符合RoHS标准.

JKUN 温州健坤接插件有限公司 WENZHOU JKUN CONNECTOR CO., LTD.			TITLE: --	
X.± 0.5	X.±'	USE: MANUFACTURE	PART NO.: A3001AWV 双排 卷装规范	
.X± 0.3	.X±'		DWG NO.: JKUN-GCBZ-0813	
.XX± 0.25	.XX±'	APPD: 朱志刚	SCALE 1 : 1	
--	--	CHKD: 蒋建银	SHEET 1 / 1	
UNITS: mm		DR: 程永海		

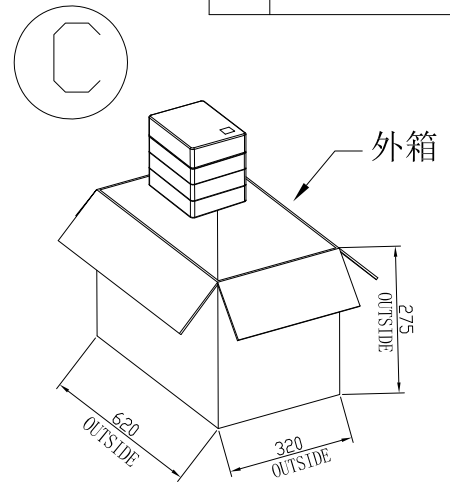
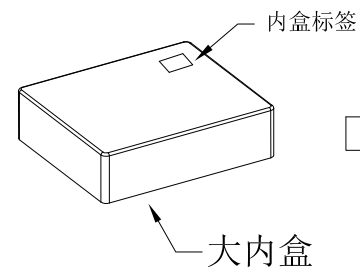
REV	ECN No.	DESCRIPTION	DESIGN	DATE
A		Release	蒋建银	2019.02.17

Ⓐ
把产品装进PE袋中

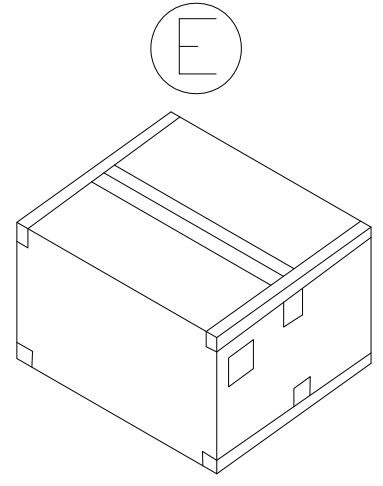
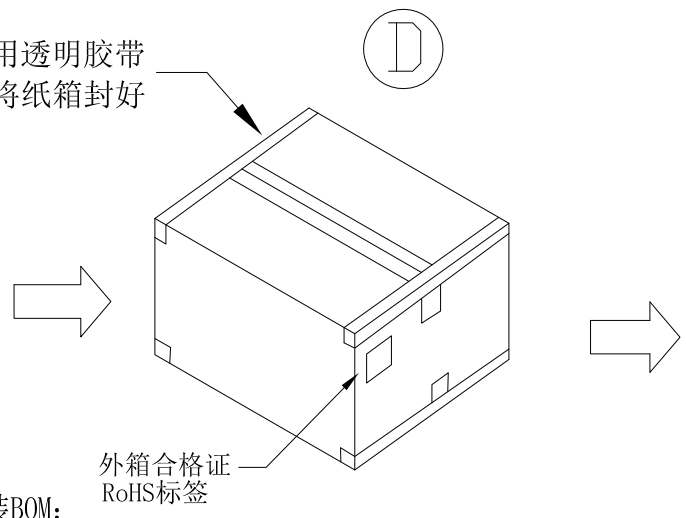
成品



Ⓑ
将2袋放入小包装盒内



用透明胶带
将纸箱封好



包装说明:

- 把成品装进PE袋中, 每袋装500PCS, 每袋放一包干燥剂, 将装好产品的PE袋用热封机封好放入小包装盒中, 把内合格证贴于小包装盒左上角, 同时, 盖上检验员及日期章, 印章字体要求清晰可见.
- 再将小包装盒放入外箱中, 包装数量见附表, 外箱贴上合格证.
- 所有材料有害物控制需符合RoHS标准.

包装BOM:

项目	品名	料号	规格
①	A3001AW	SEE NOTE	
②	PE袋		285*200*0.13mm
③	小袋标签		80*50mm
④	内盒标签		80*50mm
⑤	外箱标签		80*50mm
⑥	干燥剂		---
⑦	大包装盒		外径: L245mm*W195mm*H103mm
⑦	纸箱		外径: L620mm*W320mm*H260mm

物料型号	PE袋包装	大内盒包装	外箱包装
A3001AW-203	500PCS	1000PCS	9000PCS
A3001AW-204	500PCS	1000PCS	9000PCS

JKUN 温州健坤接插件有限公司 WENZHOU JKUN CONNECTOR CO., LTD.			TITLE: 包装规范
X.±	X.±*	USE:	PART NO.:
.X±	.X±*	MANUFACTURE	A3001AW袋装规范
.XX±	.XX±*	APPD: 刘振岭	DWG NO.:
--	--	CHKD: 王亮	JKUN/GCBZ-0686
⊕	⊖	UNITS: mm	SCALE
		DR: 蒋建银	SHEET
			1 : 1
			1 / 1