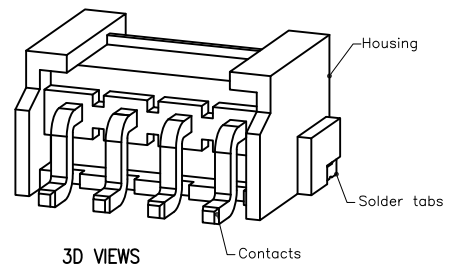
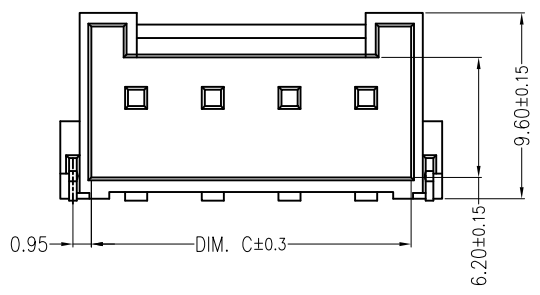
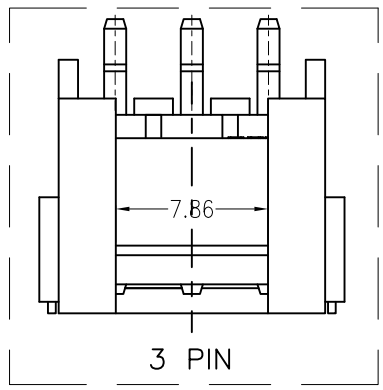
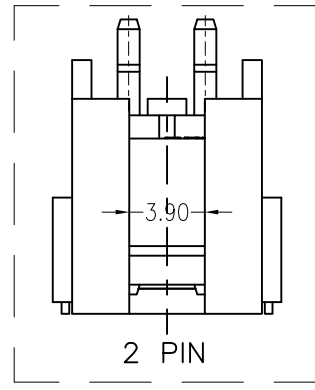
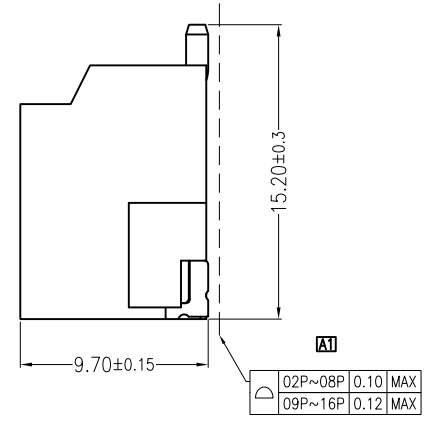
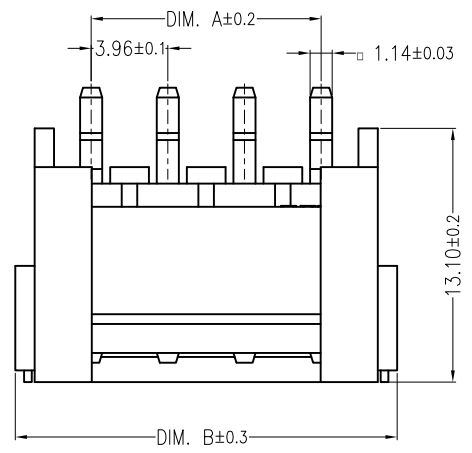


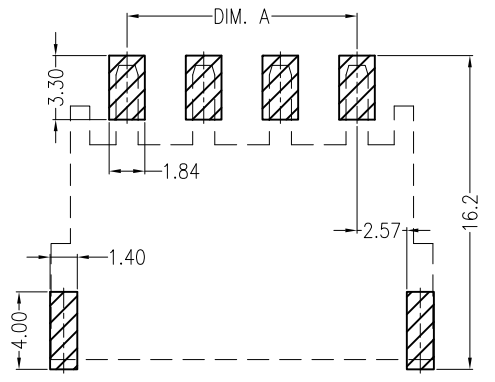
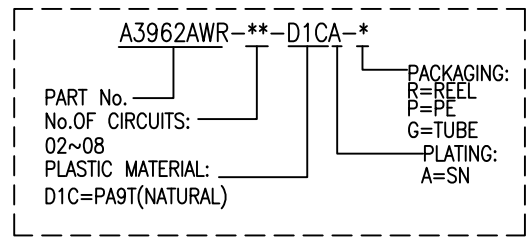
REV	DESCRIPTION	DESIGN	DATE
A0	NEW RELEASE	Wudanping	2017/08/22
A1	Adjust flatness	Jiangjianyin	2020/06/18



**Specifications:**

- Contact resistance: ≤20mΩ
- Insulation resistance: ≥1000MΩ
- Rated voltage: 250V AC DC
- Rated current: 7.0A AC DC
- Withstand voltage: 1500V AC/minute
- Temperature range: -25°C ~ +105°C
- Housing: PA9T, UL94V-0, Natural
- Contacts: Brass/Sn
- Solder tabs: Brass/Sn

**ORDER INFORMATION:**



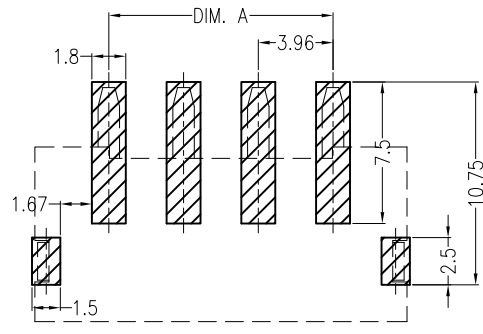
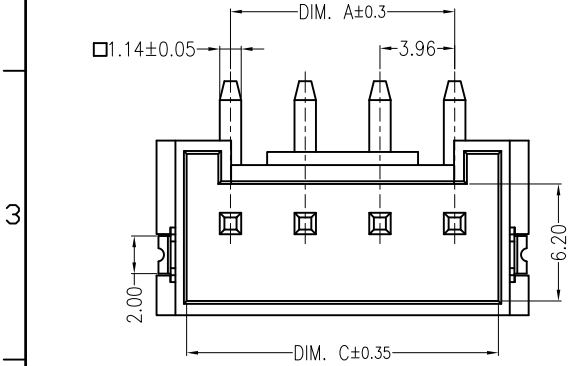
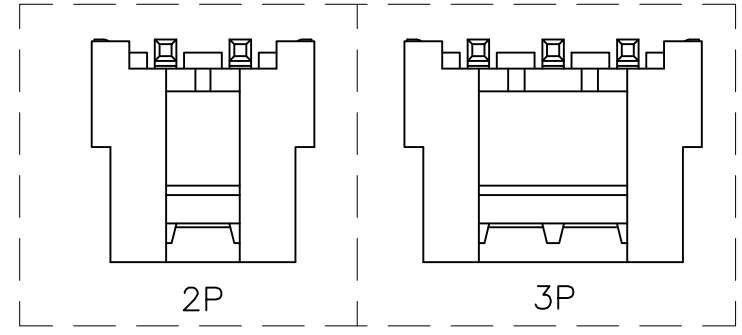
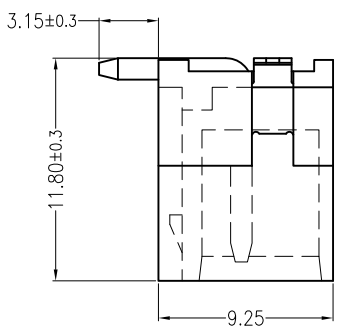
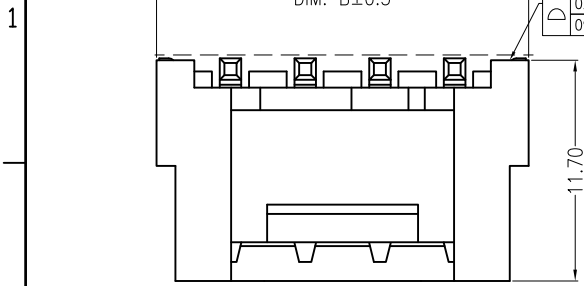
Circuits	Dimensions (mm)		
	DIM. A	DIM. B	DIM. C
02	3.96	11.88	8.60
03	7.92	15.84	12.56
04	11.88	19.80	16.52
05	15.84	23.76	20.48
06	19.80	27.72	24.44
07	23.76	31.68	28.40
08	27.72	35.64	32.36

**JKUN** 温州健坤接插件有限公司  
WENZHOU JKUN CONNECTOR CO.,LTD.

GENERAL TOLERANCE		USE:
X. ±0.50	X. ±5°	CUSTOMER
X.X ±0.30	X.X ±2°	APPD: Shaojinghe
X.XX ±0.20	X.XX ±1°	CHKD: Zenglingqing
UNITS: mm		DR: Jiangjianyin

TITLE: 3.96mmPITCH 90°WAFER SMT TYPE	
PART NO.: A3962AWR-**-D1CA-*	
DWG NO.: JKUN/GCKH-0576	
SCALE 1 : 1	SHEET 1 / 1

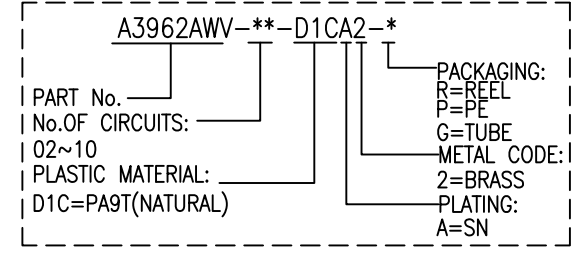
REV	DESCRIPTION	DESIGN	DATE
A0	NEW RELEASE	Wudanping	2014/09/27
A1	Adjust flatness	Jiangjanyin	2020/06/18



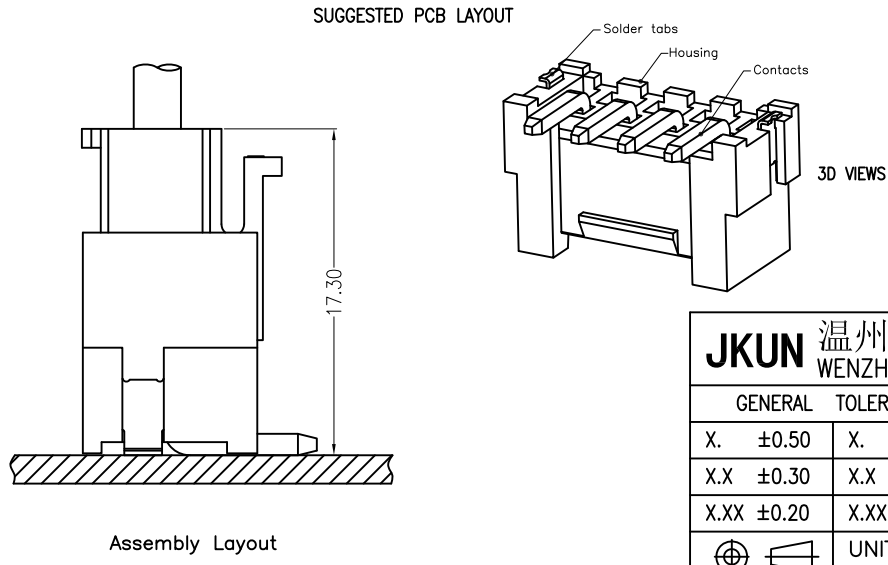
**Specifications:**

Contact resistance:  $\leq 20m\Omega$   
 Insulation resistance:  $\geq 1000M\Omega$   
 Rated voltage: 250V AC DC  
 Rated current: 7.0A AC DC  
 Withstand voltage: 1500V AC/minute  
 Temperature range:  $-25^{\circ}C \sim +105^{\circ}C$   
 Housing: PA9T, UL94V-0, Natural  
 Contacts: Brass/Sn  
 Solder tabs: Phosphor Bronze/Sn

**ORDER INFORMATION:**

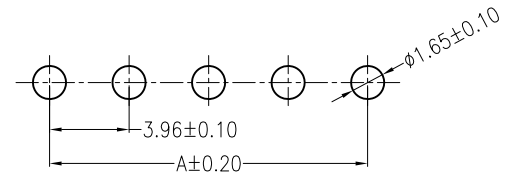
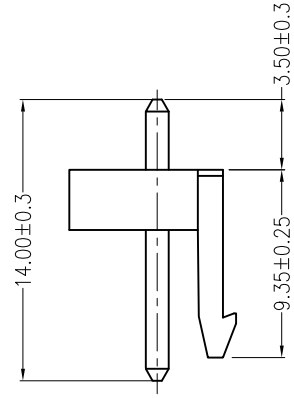
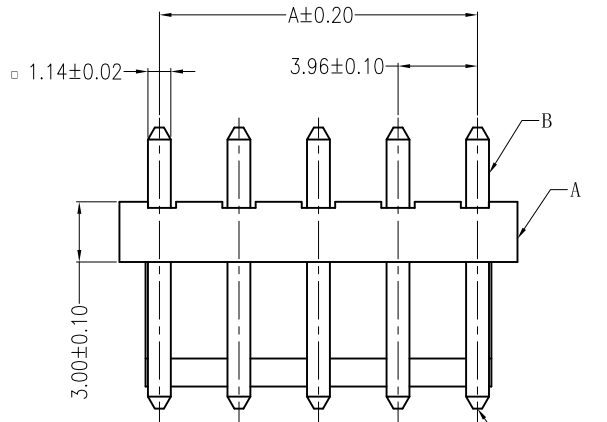


Circuits	Dimensions (mm)		
	DIM. A	DIM. B	DIM. C
02	3.96	11.88	8.60
03	7.92	15.84	12.56
04	11.88	19.80	16.52
05	15.84	23.76	20.48
06	19.80	27.72	24.44
07	23.76	31.68	28.40
08	27.72	35.64	32.36
09	31.68	39.60	36.32
10	35.64	43.56	40.28
*11	39.60	47.52	44.24
*12	43.56	51.48	48.20
*13	47.52	55.44	52.16
*14	51.48	59.40	56.12
*15	55.44	63.36	60.08
*16	59.40	67.32	64.04



<b>JKUN</b> 温州健坤接插件有限公司 WENZHOU JKUN CONNECTOR CO.,LTD.		TITLE: 3.96mmPITCH 180°WAFER SMT TYPE	
GENERAL TOLERANCE		USE:	PART NO.:
X. ±0.50	X. ±5'	CUSTOMER	A3962AWV-**-D1CA2-*
X.X ±0.30	X.X ±2'	APPD: Shaojinghe	DWG NO.:
X.XX ±0.20	X.XX ±1'	CHKD: Zenglingqing	JKUN/GCKH-0577
UNITS: mm		DR: Jiangjanyin	SCALE
			1 : 1
			SHEET
			1 / 1

REV	ECN No.	DESCRIPTION	DESIGN	DATE
AO	-	NEW RELEASE	吴丹平	2014.11.15
-	-	-	-	-

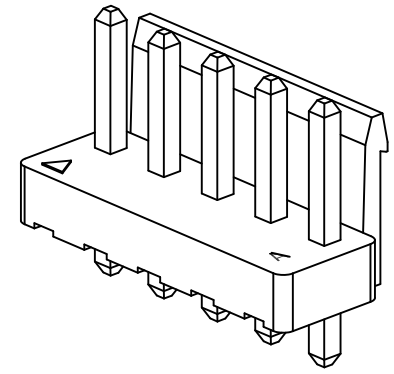
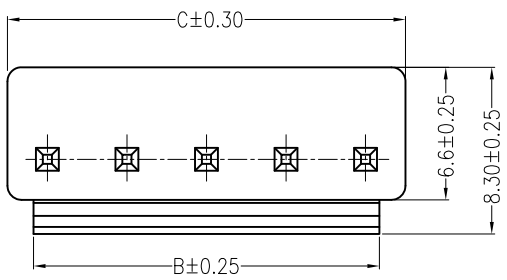
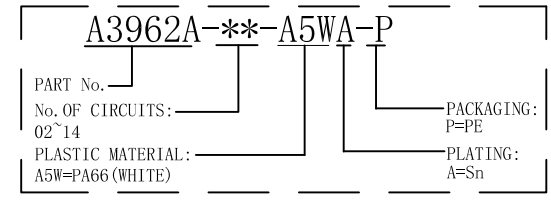


SUGGESTED PCB LAYOUT  
(COMPONENT SIDE)

主要技术参数 Main Specifications

- 线数 (Poles): 02 to 14
- 接触电阻 (Contact resistance): ≤10mΩ
- 绝缘电阻 (Insulation resistance): ≥1000MΩ
- 额定电压 (Rated voltage): 250V AC DC
- 额定电流 (Rated current): 7.0A AC DC
- 耐电压 (Withstand Voltage): 1500V AC/minute
- 温度范围 (Temperature Range): -25℃ ~ +85℃

ORDER INFORMATION:



Circuits	Dimensions (mm)			Circuits	Dimensions (mm)		
	A	B	C		A	B	C
02	3.96	5.00	7.94	09	31.68	32.76	35.66
03	7.92	8.96	11.90	10	35.64	36.68	39.62
04	11.88	12.92	15.82	11	39.60	40.64	43.58
05	15.84	16.88	19.82	12	43.56	44.60	47.54
06	19.80	20.84	23.78	13	47.52	48.56	51.80
07	23.76	24.80	27.74	14	51.48	52.52	55.46
08	27.72	28.76	31.70				

ITEM	COMPONENT	Q'TY	MATERIAL	FINISH
C				
B	CONTACT	2~14 PCS	Brass	Sn-plated
A	HOUSING	1 PCS	PA66	COLOR:White

**JKUN** 温州健坤接插件有限公司  
WENZHOU JKUN CONNECTOR CO., LTD.

TITLE: A3962A  
3.96mm PITCH 180° WAFER DIP TYPE

PART NO.: A3962A-\*\*-A5WA-P

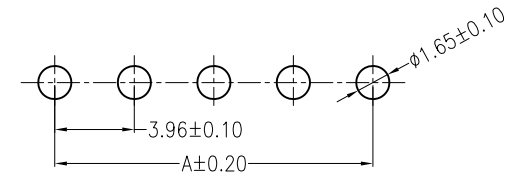
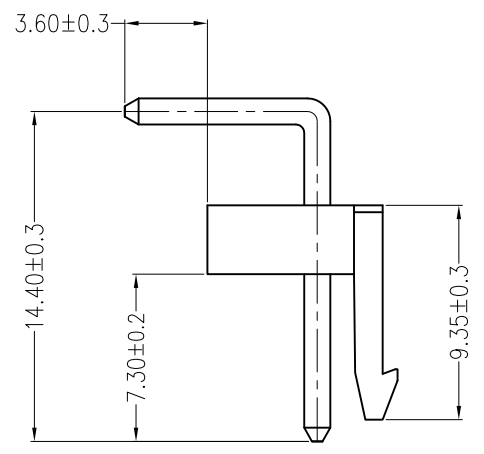
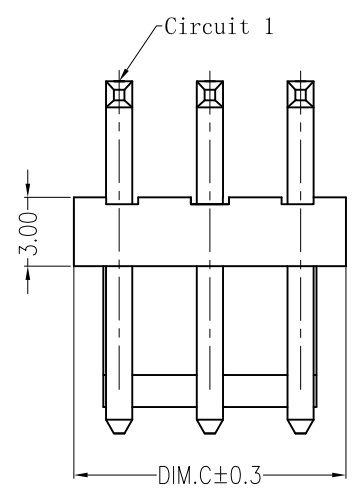
DWG NO.: JKUN/GCCP-0573

SCALE: 1 : 1 SHEET: 1 / 1

USE: CUSTOMER  
APPD: 刘振岭  
CHKD: 王亮  
DR: 蒋建银

UNITS: mm

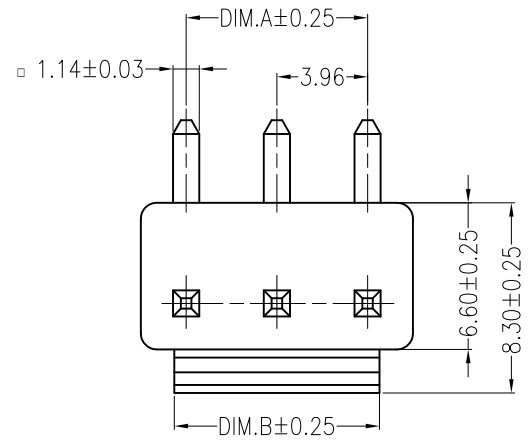
REV	DESCRIPTION	DESIGN	DATE
A0	NEW RELEASE	Jiangjianyin	2017/06/14



SUGGESTED PCB LAYOUT  
(COMPONENT SIDE)

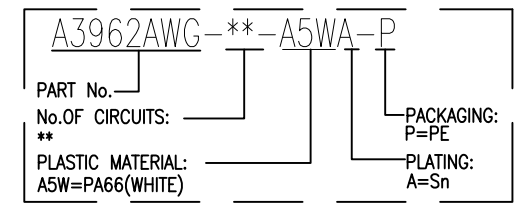
**Main Specifications**

- Poles: 02 to 14
- Contact resistance: ≤10mΩ
- Insulation resistance: ≥1000MΩ
- Rated voltage: 250V AC DC
- Rated current: 7.0A AC DC
- Withstand Voltage: 1500V AC/minute
- Temperature Range: -25°C ~ +85°C
- Housing: PA66, White
- Contacts: Brass/Sn-plated



Circuits	Dimensions (mm)		
	A	B	C
02	3.96	5.00	7.94
03	7.92	8.96	11.90
04	11.88	12.92	15.82
05	15.84	16.88	19.82
06	19.80	20.84	23.78
07	23.76	24.80	27.74
08	27.72	28.76	31.70
09	31.68	32.76	35.66
10	35.64	36.68	39.62
11	39.60	40.64	43.58
12	43.56	44.60	47.54
13	47.52	48.56	51.80
14	51.48	52.52	55.46

ORDER INFORMATION:



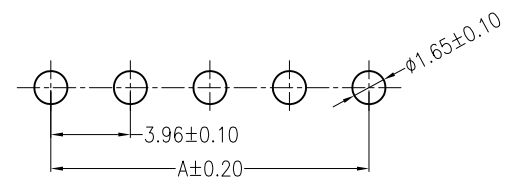
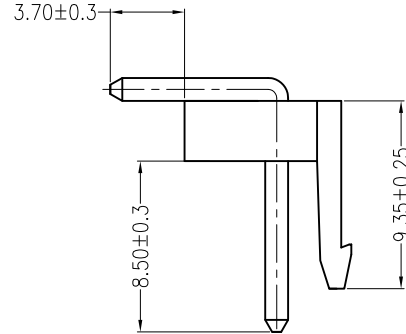
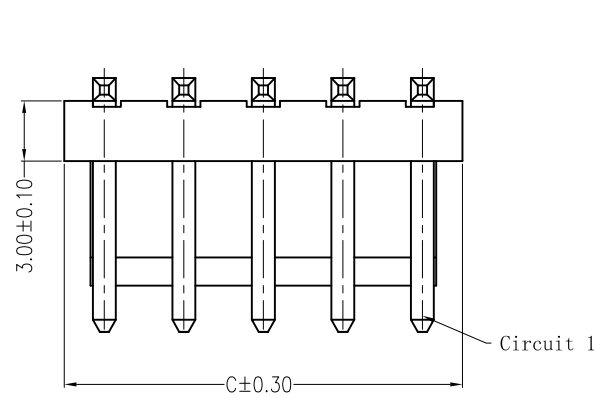
**JKUN** 温州健坤接插件有限公司  
WENZHOU JKUN CONNECTOR CO.,LTD.

TITLE:  
3.96mm PITCH 90° WAFER DIP TYPE

GENERAL TOLERANCE		USE:
X. ±0.50	X. ±5°	CUSTOMER
X.X ±0.30	X.X ±2°	APPD: Liuzhenling
X.XX ±0.20	X.XX ±1°	CHKD: Wangliang
	UNITS: mm	DR: Jiangjianyin

PART NO.:	
A3962AWG-**-A5WA-P	
DWG NO.:	
JKUN-GCCP-0575	
SCALE	SHEET
1 : 1	1 / 1

REV	ECN No.	DESCRIPTION	DESIGN	DATE
A0	-	NEW RELEASE	吴丹平	2014.11.15
-	-	-	-	-

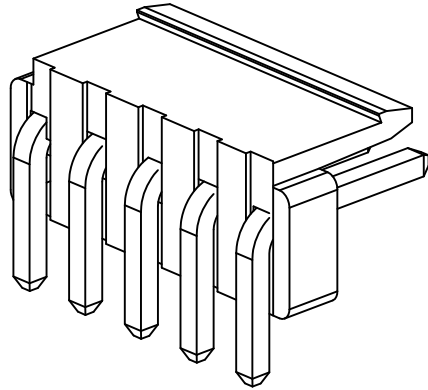
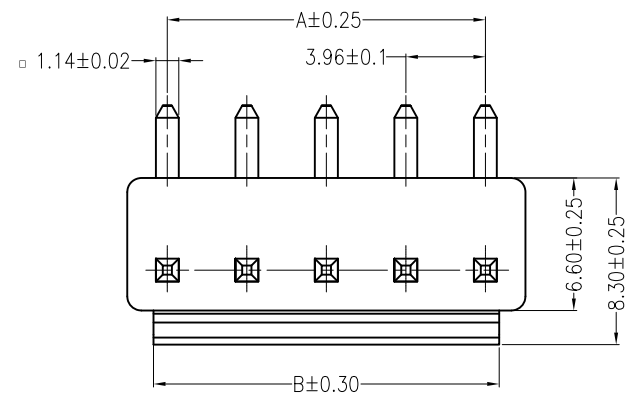
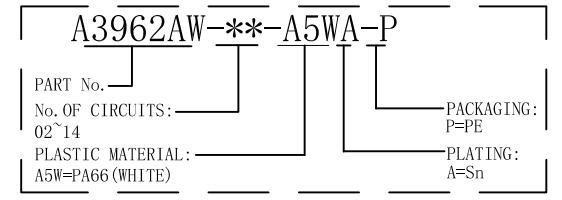


SUGGESTED PCB LAYOUT  
(COMPONENT SIDE)

主要技术参数 Main Specifications

- 线数 (Poles): 02 to 14
- 接触电阻 (Contact resistance): ≤10mΩ
- 绝缘电阻 (Insulation resistance): ≥1000MΩ
- 额定电压 (Rated voltage): 250V AC DC
- 额定电流 (Rated current): 7.0A AC DC
- 耐电压 (Withstand Voltage): 1500V AC/minute
- 温度范围 (Temperature Range): -25°C ~ +85°C

ORDER INFORMATION:



Circuits	Dimensions (mm)			Circuits	Dimensions (mm)		
	A	B	C		A	B	C
02	3.96	5.00	7.94	09	31.68	32.76	35.66
03	7.92	8.96	11.90	10	35.64	36.68	39.62
04	11.88	12.92	15.82	11	39.60	40.64	43.58
05	15.84	16.88	19.82	12	43.56	44.60	47.54
06	19.80	20.84	23.78	13	47.52	48.56	51.80
07	23.76	24.80	27.74	14	51.48	52.52	55.46
08	27.72	28.76	31.70				

ITEM	COMPONENT	Q'TY	MATERIAL	FINISH
C				
B	CONTACT	2~14 PCS	Brass	Sn-plated
A	HOUSING	1 PCS	PA66	COLOR:White

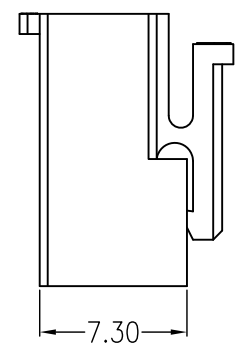
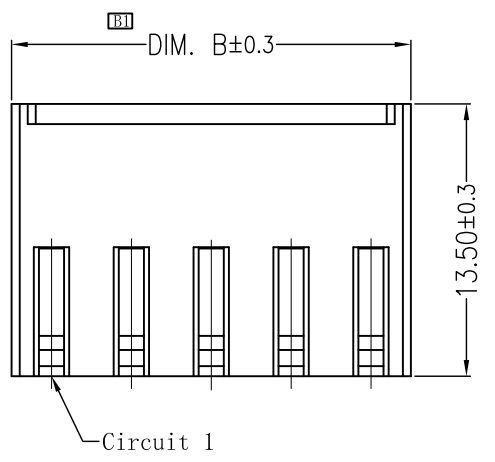
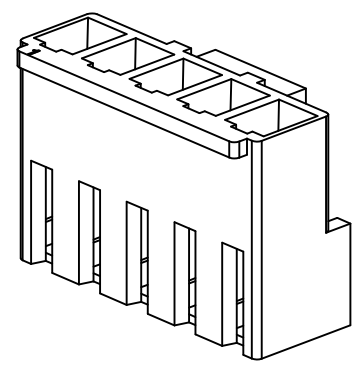
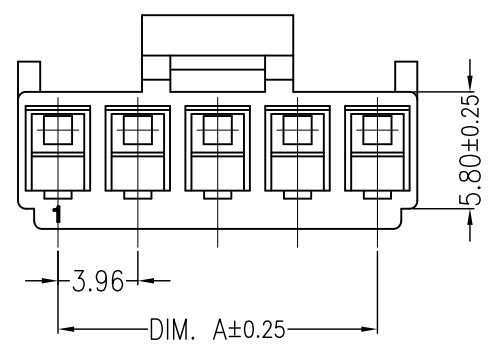
  

X±0.5		X±5'	USE: CUSTOMER	TITLE: A3962AW 3.96mmPITCH 90°WAFER DIP TYPE	
.X±0.3		.X±2'			PART NO.:
.XX±0.25		.XX±1'			A3962AW-**-A5WA-P
---		---			DWG NO.:
UNITS: mm		DR: 吴丹平	CHKD: 田峰	JKUN/GCCP-0574	
			APPD: 邵敬和	SCALE	
			CHKD: 田峰	1 : 1	
			DR: 吴丹平	SHEET	
				1 / 1	

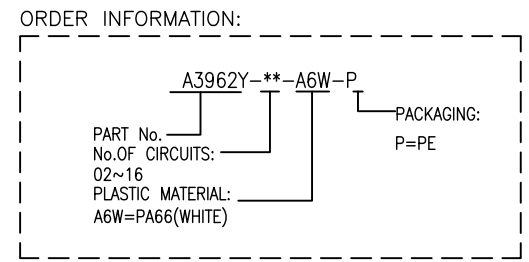
JKUN 温州健坤接插件有限公司  
WENZHOU JKUN CONNECTOR CO., LTD.

A B C D E F

REV	DESCRIPTION	DESIGN	DATE
A0	NEW RELEASE	Wudanping	2017/08/26
B	Correction of size	Jiangjianyin	2022/12/10



**Specifications:**  
 Contact resistance: ≤20mΩ  
 Insulation resistance: ≥1000MΩ  
 Rated voltage: 250V AC DC  
 Rated current: 7.0A AC DC  
 Withstand voltage: 1500V AC/minute  
 Temperature range: -25°C ~ +85°C  
 Housing: PA66, UL94V-0, White



Circuits	Dimensions (mm)		Circuits	Dimensions (mm)	
	DIM. A	DIM. B <sub>mm</sub>		DIM. A	DIM. B <sub>mm</sub>
02	3.96	8.10	10	35.64	39.78
03	7.92	12.06	11	39.60	43.74
04	11.88	16.02	12	43.56	47.70
05	15.84	19.98	13	47.52	51.66
06	19.80	23.94	14	51.48	55.62
07	23.76	27.90	15	55.44	59.58
08	27.72	31.86	16	59.40	63.54
09	31.68	35.82			

<b>JKUN</b> 温州健坤接插件有限公司 WENZHOU JKUN CONNECTOR CO.,LTD.			TITLE: 3.69mm PITCH Housing	
GENERAL TOLERANCE		USE:	PART NO.:	
X. ±0.50	X. ±5'	CUSTOMER	A3962Y-**-A6W-P	
X.X ±0.30	X.X ±2'	APPD: Shaojinghe	DWG NO.:	
X.XX ±0.20	X.XX ±1'	CHKD: Zenglingqing	JKUN/GCKH-0578	
⊕	∠	UNITS: mm	DR: Jiangjianyin	SCALE: 1 : 1
				SHEET: 1 / 1

5

1

2

3

4

1

2

3

4

A

B

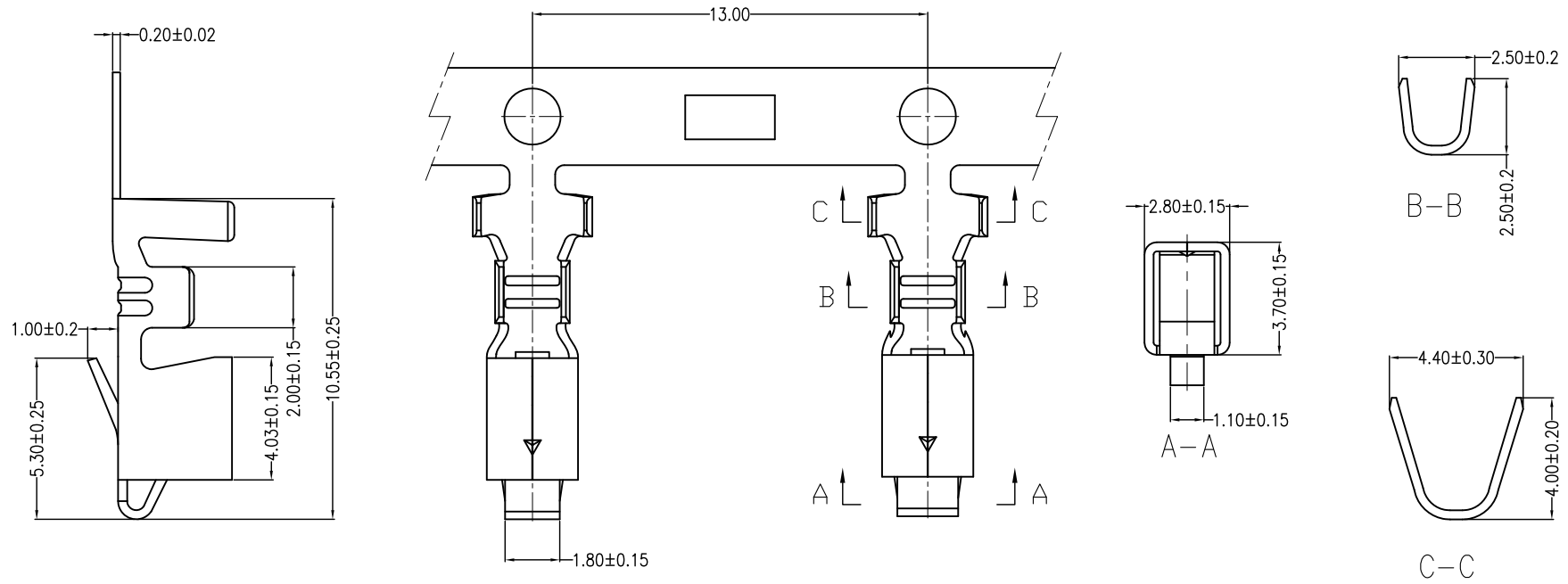
C

D

E

F

REV	ECN No.	DESCRIPTION	DESIGN	DATE
A0		Release	吴丹平	2015.07.01

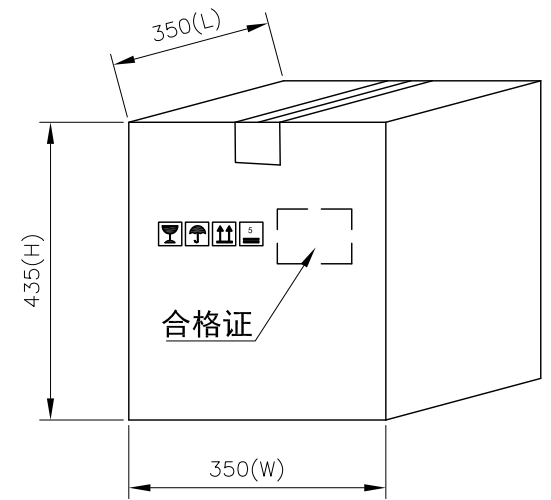
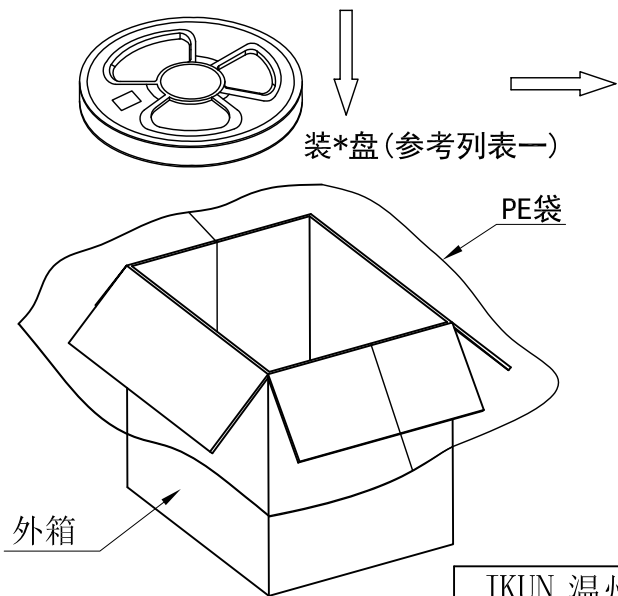
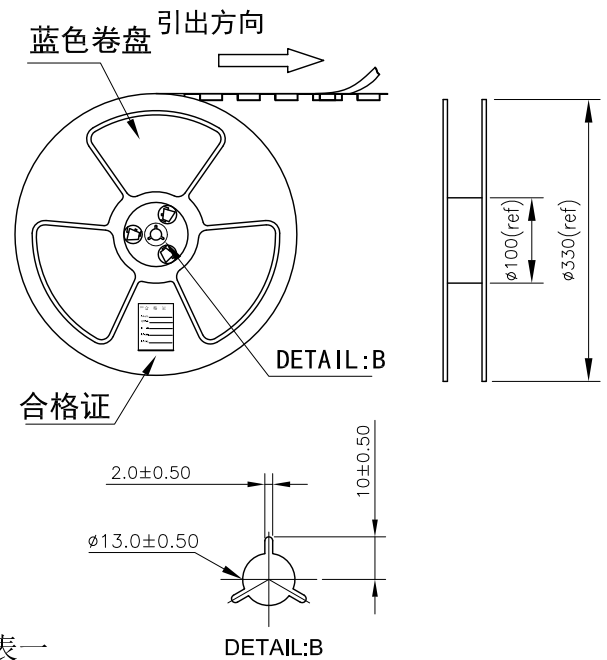
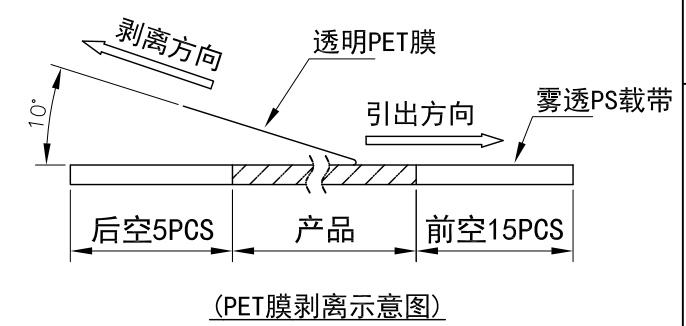
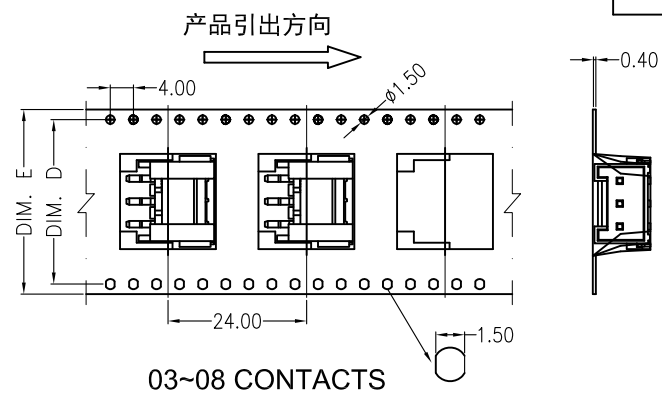
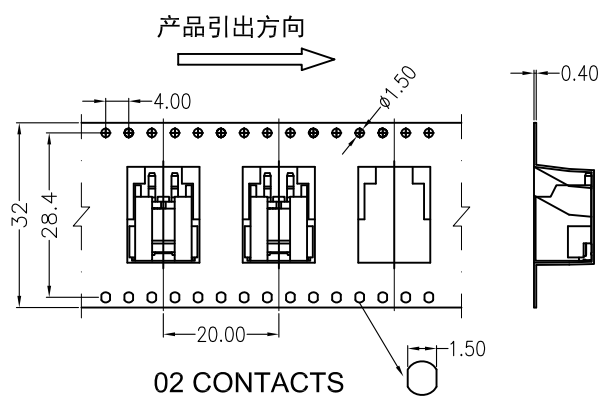


Ordering Information & Specification:

Part No	Wire Range	Insulation O.D.	Material	Finish	Qty/Reel
A3962T-03端子	AWG #22~#18	3.00mm(MAX)	Phosphor bronze	Sn-plated	

<b>JKUN</b> 温州健坤接插件有限公司 WENZHOU JKUN CONNECTOR CO., LTD.			TITLE: A3962T	
X±0.5	X±5'	USE: CUSTOMER	PART NO.:	
.X±0.3	.X±2'		A3962T-03端子	
.XX±0.25	.XX±1'	APPD: 邵敬和	DWG NO.:	
--	--	CHKD: 田峰	JKUN-GCDZ-0020	
		UNITS: mm	DR: 吴丹平	SCALE 1 : 1
				SHEET 1 / 1

REV	ECN No.	DESCRIPTION	DESIGN	DATE
A		Release	吴丹平	2015.11.12



列表一

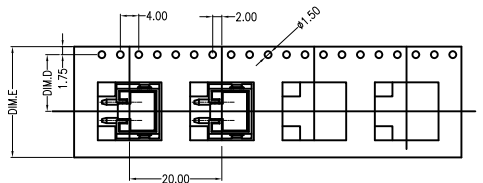
Circuits	DIM. D	DIM. E	Q'ty/Reel	Packing (Reel/Caton)
02PIN	28.4	32	350PCS	11/Reel
03-04PIN	28.4	32	300PCS	11/Reel
05PIN	40.4	44	300PCS	8/Reel
08PIN	52.4	56	300PCS	

包装说明:  
 1. 把成品包入卷盘中, 每盘装300PCS (2P=350PCS)。卷盘上贴上合格证, 将装好产品的卷盘放进外箱中, 外箱内先套一个大PE袋, 外箱上贴贴上合格证。  
 2. 所有材料有害物控制需符合RoHS标准。

JKUN 温州健坤接插件有限公司 WENZHOU JKUN CONNECTOR CO., LTD.			TITLE: A3962AWR 包装规范	
X.± 0.5	X.±'	USE: MANUFACTURE	PART NO.:	
.X± 0.3	.X±'		A3962AWR-nP	
.XX±0.25	.XX±'	APPD: 邵敬和	DWG NO.:	
--	--	CHKD: 田峰	JKUN/GCBZ-0522	
⊕	◁	UNITS: mm	DR: 吴丹平	SCALE 1 : 1
			SHEET 1 / 1	

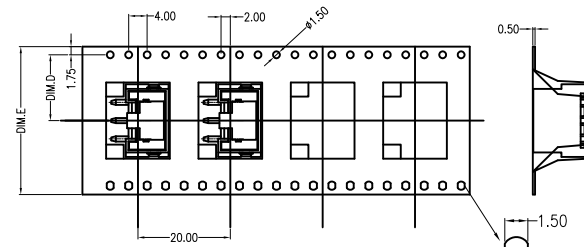


REV	ECN No.	DESCRIPTION	DESIGN	DATE
A		Release	蒋建银	2019.05.22



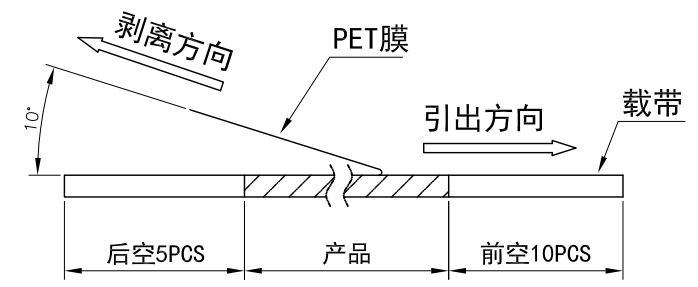
2 CONTACTS

产品引出方向

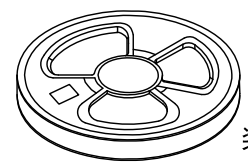
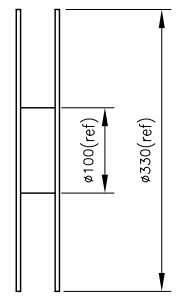
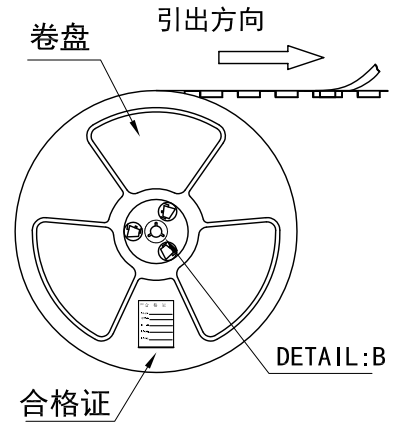


3~10 CONTACTS

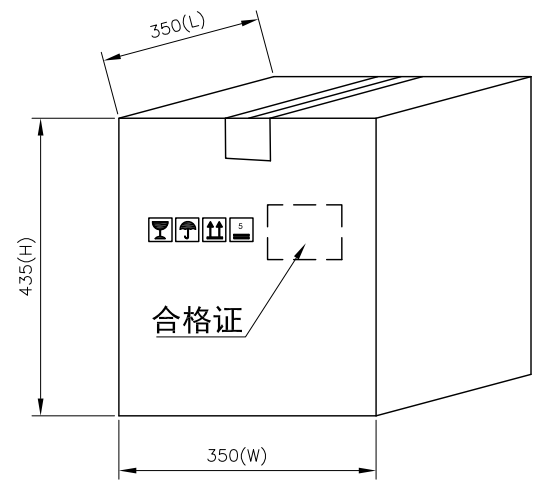
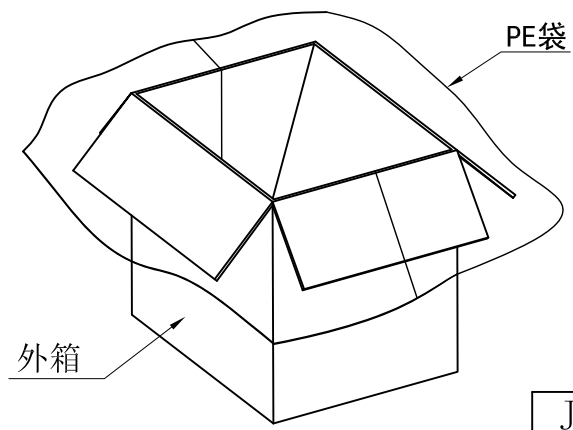
产品引出方向



(PET膜剥离示意图)



装\*盘(参考列表一)



列表一

Circuits	DIM. D	DIM. E	Q'ty/Reel	Packing (Reel/Caton)
2PIN	11.50	24	300PCS	15/Reel
3PIN	14.20	32	300PCS	11/Reel
4~6PIN	20.20	44	300PCS	8/Reel
7~9PIN	26.20	56	300PCS	7/Reel
10PIN	34.20	72	300PCS	5/Reel

包装说明:

- 把成品包入卷盘中, 每盘装300PCS, 卷盘上贴上合格证, 将装好产品的卷盘放进外箱中, 外箱内先套一个大PE袋, 外箱上贴贴上合格证.
- 所有材料有害物控制需符合RoHS标准.

JKUN 温州健坤接插件有限公司 WENZHOU JKUN CONNECTOR CO., LTD.			TITLE:	
X.± 0.5	X.±'	USE:	PART NO.:	
.X± 0.3	.X±'	MANUFACTURE	A3962AWV 卷装规范(加盖)	
.XX±0.25	.XX±'	APPD: 王亮	DWG NO.:	
--	--	CHKD: 曾令青	JKUN/GCBZ-0577	
⊕	◁	UNITS: mm	DR: 蒋建银	SCALE
				1 : 1
				SHEET
				1 / 1