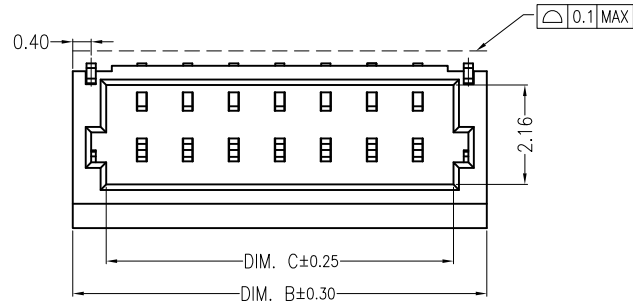
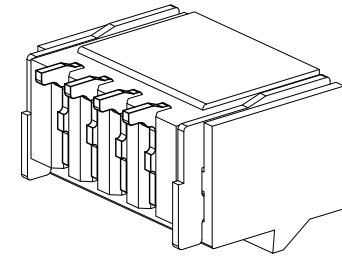
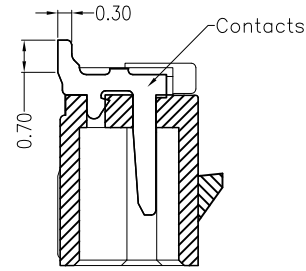
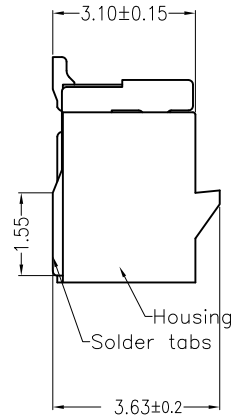
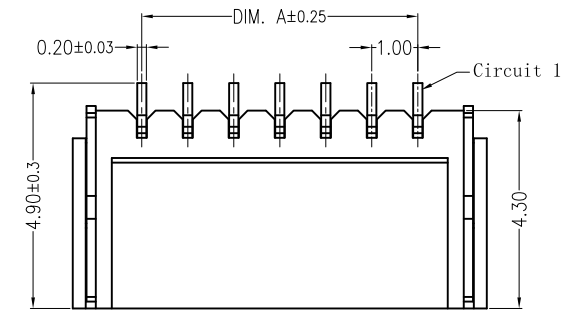


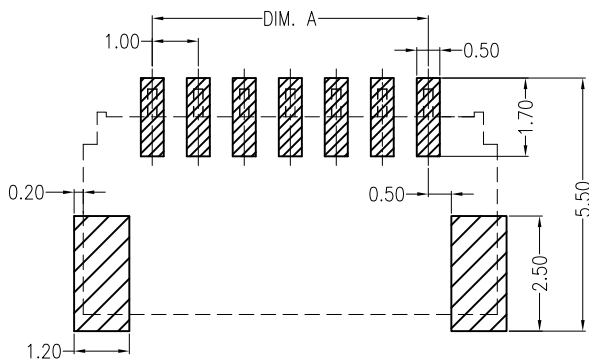
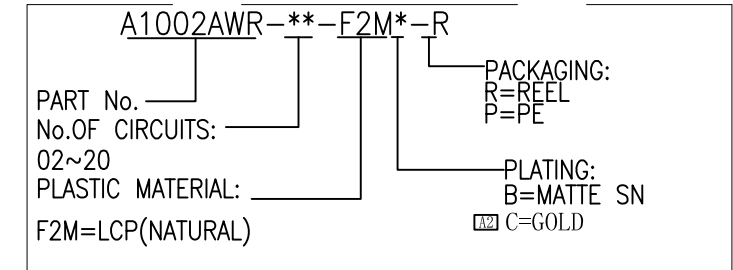
REV	DESCRIPTION	DESIGN	DATE
A0	NEW RELEASE	Wudanping	2016/05/05
A1	The correct current	Jiangjianyin	2019/03/29
A2	Increase the gold-plating specification	Jiangjianyin	2020/06/27



Specifications:

Contact resistance: $\leq 20\text{m}\Omega$
 Insulation resistance: $\geq 100\text{M}\Omega$
 Rated voltage: 50V AC DC
 Rated current: 1.0A AC DC \square
 Withstand voltage: 500V AC/minute
 Temperature range: $-25^{\circ}\text{C} \sim +105^{\circ}\text{C}$
 Housing: LCP UL94V-0, Natural
 Contacts: Phosphor bronze (Matte sn/Gold plating)
 Solder tabs: Phosphor bronze/Matte sn

ORDER INFORMATION:



Recommend PCB Layout

Circuit	Dimensions (mm)		
	DIM. A	DIM. B	DIM. C
02	1.00	4.00	2.45
03	2.00	5.00	3.45
04	3.00	6.00	4.45
05	4.00	7.00	5.45
06	5.00	8.00	6.45
07	6.00	9.00	7.45
08	7.00	10.00	8.45
09	8.00	11.00	9.45
10	9.00	12.00	10.45
*11	10.00	13.00	11.45
*12	11.00	14.00	12.45
*13	12.00	15.00	13.45
*14	13.00	16.00	14.45
*15	14.00	17.00	15.45
*16	15.00	18.00	16.45
*20	19.00	22.00	20.45

JKUN 温州健坤接插件有限公司
 WENZHOU JKUN CONNECTOR CO.,LTD.

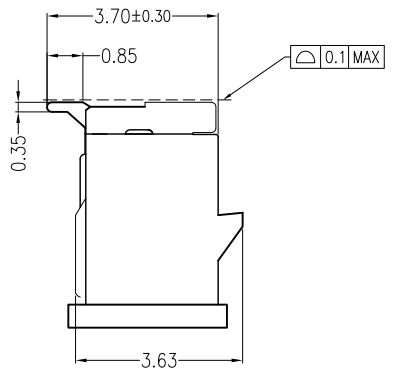
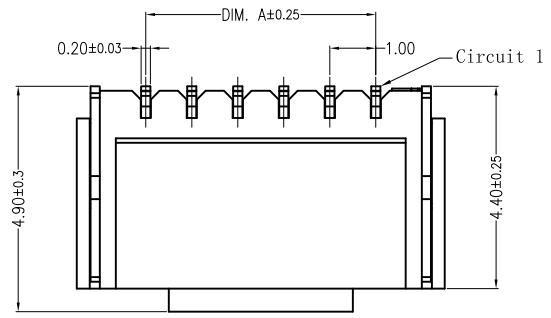
TITLE:
 1.0mm PITCH 90° WAFER SMT TYPE

GENERAL TOLERANCE		USE:
X. ± 0.50	X. $\pm 5'$	CUSTOMER
X.X ± 0.30	X.X $\pm 2'$	APPD: Shaojinghe
X.XX ± 0.20	X.XX $\pm 1'$	CHKD: Zlinglingqing
		DR: Jiangjianyin

UNITS: mm

PART NO.:	
A1002AWR-**-F2M*-R	
DWG NO.:	
JKUN/GCKH-0503	
SCALE	SHEET
1 : 1	1 / 1

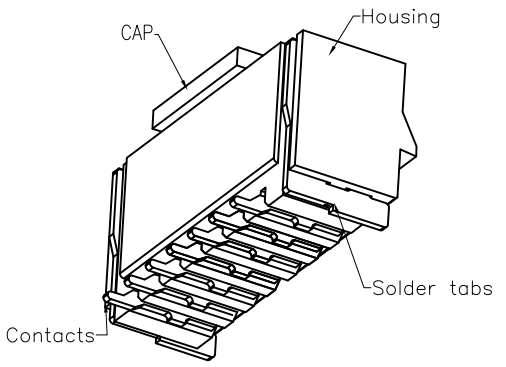
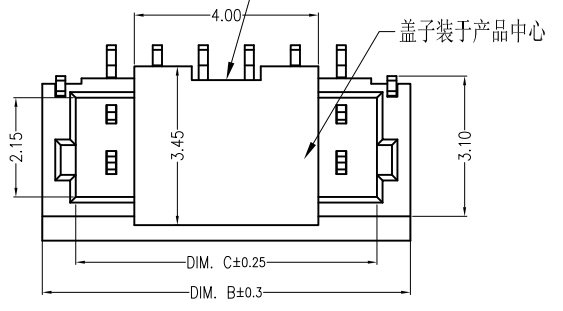
REV	DESCRIPTION	DESIGN	DATE
A0	NEW RELEASE	Wudanping	2017/05/24
A1	Increase the gold-plating specification	Zhouxiulong	2017/10/06
A2	The correct current	Jiangjianyin	2019/03/29



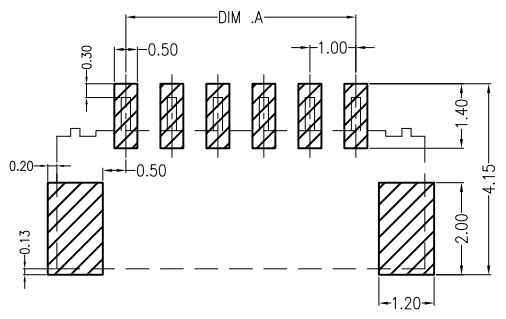
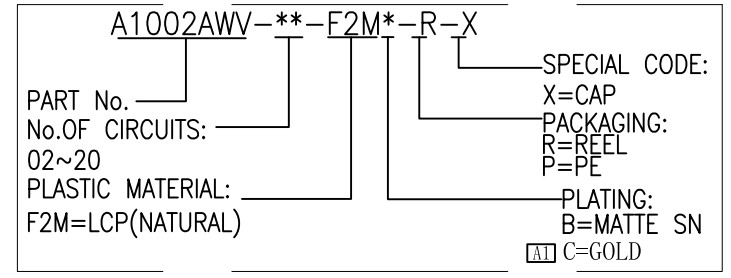
Specifications:

- Contact resistance: $\leq 20m\Omega$
- Insulation resistance: $\geq 100M\Omega$
- Rated voltage: 50V AC DC
- Rated current: 1.0A AC DC A2
- Withstand voltage: 500V AC/minute
- Temperature range: $-25^{\circ}C \sim +105^{\circ}C$
- Housing: LCP UL94V-0, Natural
- CAP: LCP UL94V-0, Natural
- Contacts: Phosphor bronze (Matte sn/Gold plating)
- Solder tabs: Phosphor bronze/Matte sn

缺口为浇口工艺，减少自动机加盖卡料，
缺口位置不固定，也可在另一侧



ORDER INFORMATION:



Recommend PCB Layout

Circuit	Dimensions (mm)		
	DIM. A	DIM. B	DIM. C
02	1.00	4.00	2.45
03	2.00	5.00	3.45
04	3.00	6.00	4.45
05	4.00	7.00	5.45
06	5.00	8.00	6.45
07	6.00	9.00	7.45
08	7.00	10.00	8.45
09	8.00	11.00	9.45
10	9.00	12.00	10.45
*11	10.00	13.00	11.45
*12	11.00	14.00	12.45
*13	12.00	15.00	13.45
*14	13.00	16.00	14.45
*15	14.00	17.00	15.45
*16	15.00	18.00	16.45
*20	19.00	22.00	20.45

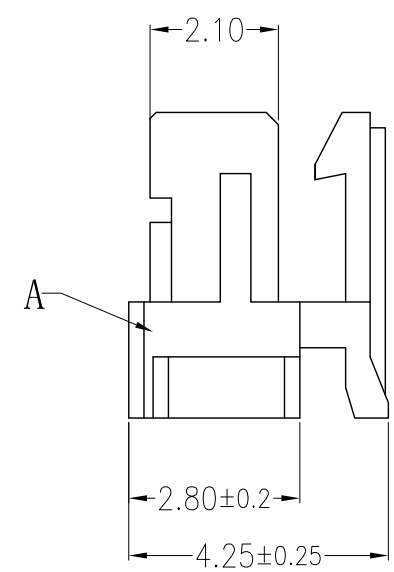
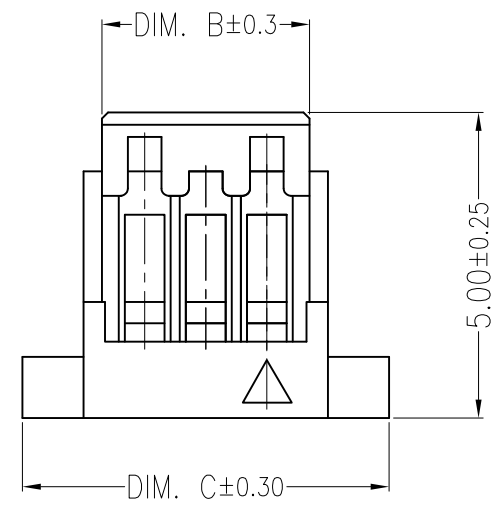
JKUN 温州健坤接插件有限公司
WENZHOU JKUN CONNECTOR CO.,LTD.

TITLE:
1.0mmPITCH 180°WAFER SMT TYPE

GENERAL TOLERANCE		USE:
X. ± 0.50	X. $\pm 5^{\circ}$	CUSTOMER
X.X ± 0.30	X.X $\pm 2^{\circ}$	APPD: Shaojinghe
X.XX ± 0.20	X.XX $\pm 1^{\circ}$	CHKD: Zlinglingqing
		DR: Jiangjianyin

PART NO.:	
A1002AWV-**-F2M*-R-X	
DWG NO.:	
JKUN/GCKH-0504	
SCALE	SHEET
1 : 1	1 / 1

REV	DESCRIPTION	DESIGN	DATE
A0	Release	吴丹平	2016.05.25

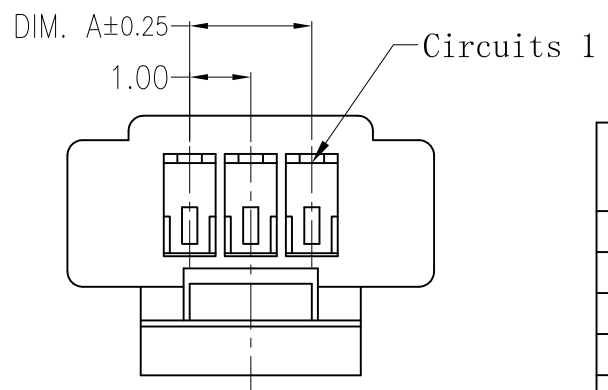


主要技术参数 Main Specifications

线 数 (Poles): 02 to 10
 接触电阻 (Contact resistance): $\leq 20m\Omega$
 绝缘电阻 (Insulation resistance): $\geq 100M\Omega$
 额定电压 (Rated voltage): 50V AC DC
 额定电流 (Rated current): 1.0A AC DC
 耐 电 压 (Withstand Voltage): 500V AC/minute
 温度范围 (Temperature Range): $-25^{\circ}C \sim +85^{\circ}C$

ORDER INFORMATION:

A1002Y-**-A5W-P	
PART No.	PACKAGING: P=PE
No. OF CIRCUITS: 02~10	PLASTIC MATERIAL: A5W=PA66 (WHITE)

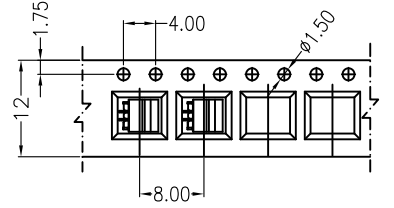


Circuits	Dimensions (mm)		
	DIM. A	DIM. B	DIM. C
02	1.00	2.40	5.00
03	2.00	3.40	6.00
04	3.00	4.40	7.00
05	4.00	5.40	8.00
06	5.00	6.40	9.00
07	6.00	7.40	10.00
08	7.00	8.40	11.00
09	8.00	9.40	12.00
10	9.00	10.40	13.00

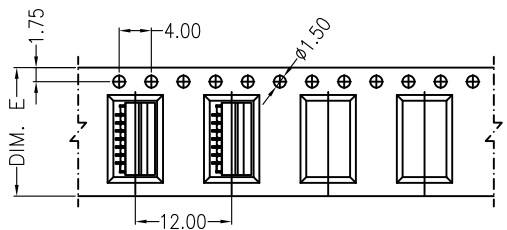
ITEM	COMPONENT	Q'TY	MATERIAL	FINISH
C				
B				
A	PEDESTAL	1 PCS	PA66	COLOR:WHITE

JKUN 温州健坤接插件有限公司 WENZHOU JKUN CONNECTOR CO., LTD.		TITLE: - 1.0mmPITCH HOUSING
X.±0.5 .X±0.3 .XX±0.25 -- 	X.±5' .X±2' .XX±1' -- UNITS: mm	USE: CUSTOMER APPD: 邵敬和 CHKD: 田峰 DR: 吴丹平
		PART NO.: A1002Y-**-A5W-P DWG NO.: JKUN-GCCP-0624 SCALE: 1 : 1 SHEET: 1 / 1

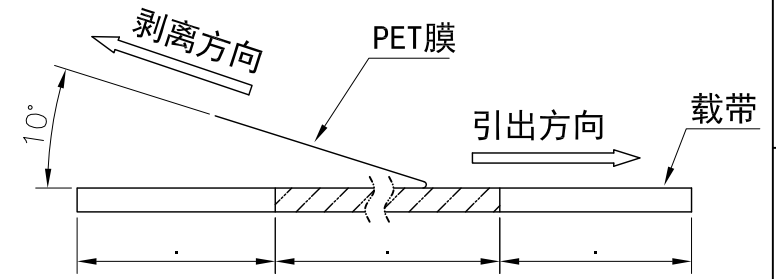
REV	ECN No.	DESCRIPTION	DESIGN	DATE
A		Release	蒋建银	2018.06.21



产品引出方向 02 CONTACTS

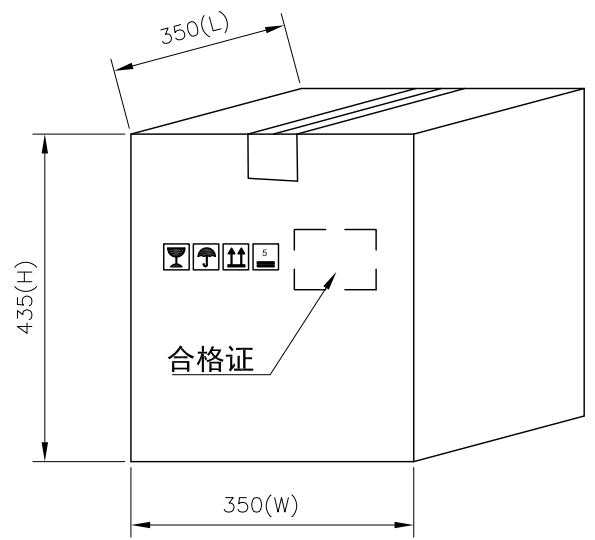
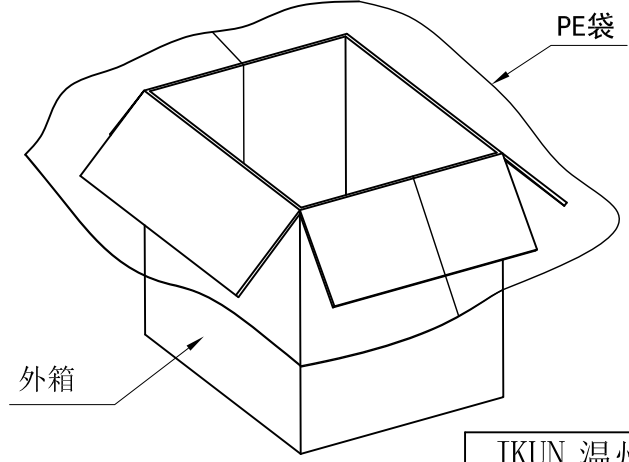
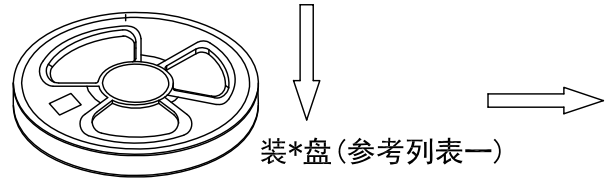
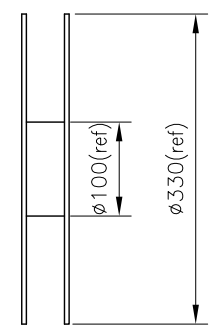
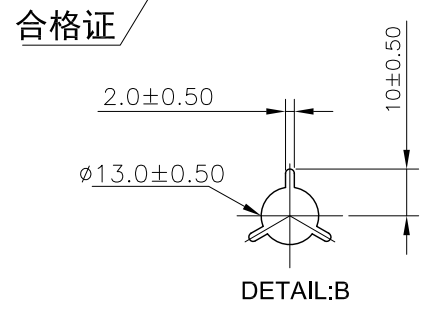
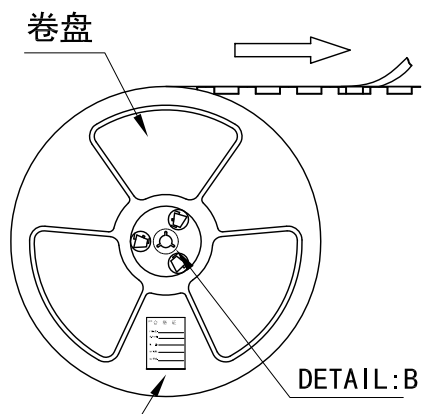


产品引出方向 03~10 CONTACTS



02 CONTACTS	后空13PCS	产品	前空51PCS
03~10 CONTACTS	后空9PCS	产品	前空35PCS

(PET膜剥离示意图)



列表一

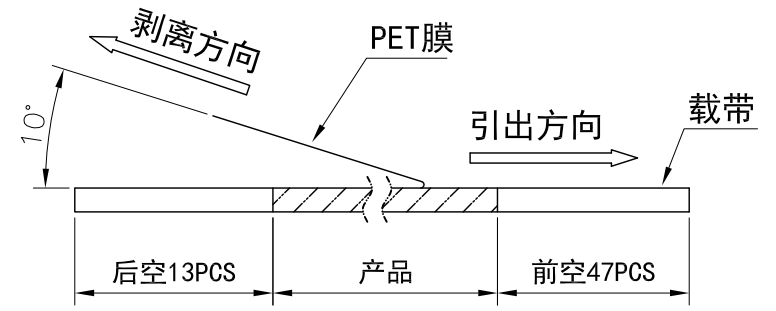
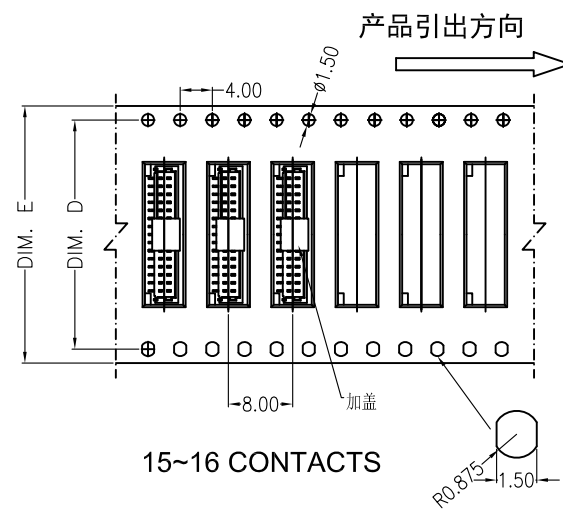
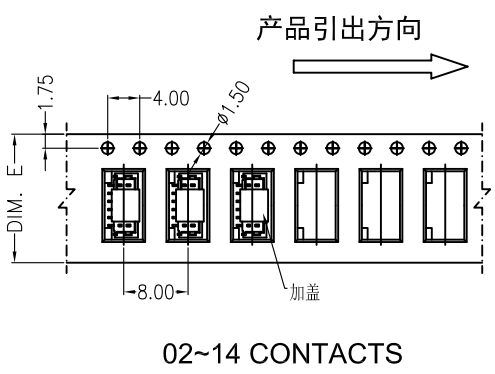
Circuits	DIM. D	DIM. E	Q'ty/Reel	Packing (Reel/Caton)
02PIN	-	12	2000PCS	25/Reel
03-06PIN	-	16	1500PCS	20/Reel
07-10PIN	-	24	1500PCS	15/Reel

包装说明:

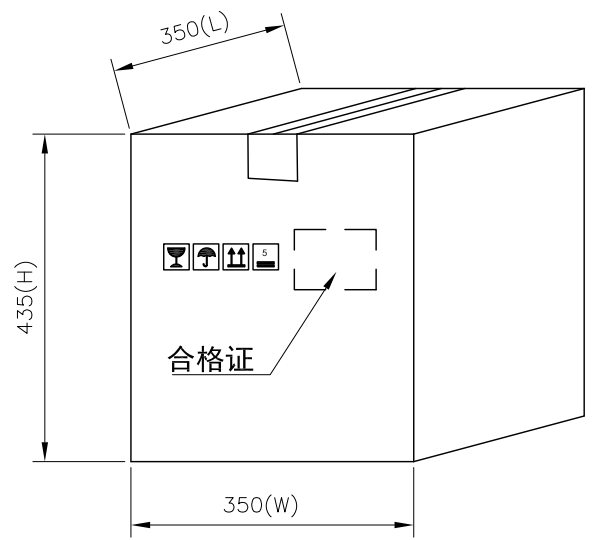
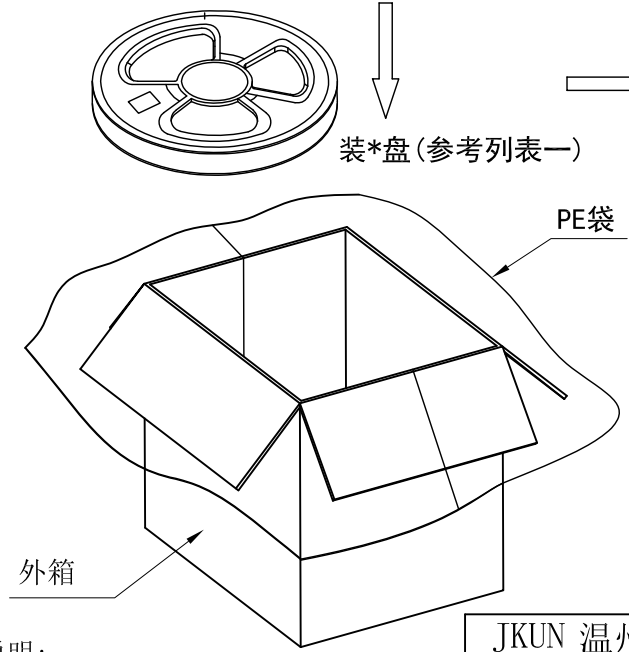
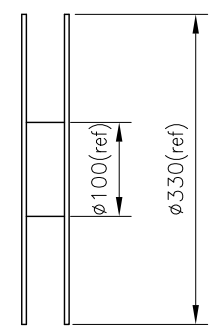
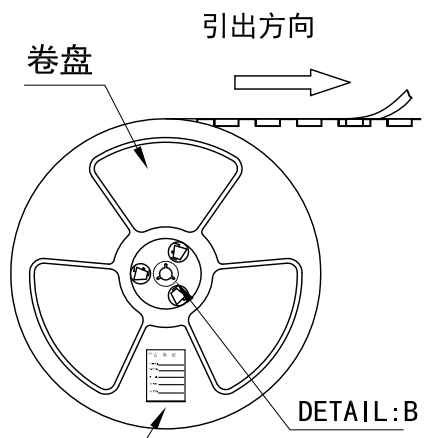
- 把成品包入卷盘中, 每盘装1500PCS, (注:2PIN每盘装2000PCS), 卷盘上贴上合格证, 将装好产品的卷盘放进外箱中, 外箱内先套一个大PE袋, 外箱上贴贴上合格证.
- 所有材料有害物控制需符合RoHS标准.

JKUN 温州健坤接插件有限公司 WENZHOU JKUN CONNECTOR CO., LTD.			TITLE: A1002AWR 包装规范	
X.± 0.5	X.±*	USE: MANUFACTURE	PART NO.:	
.X± 0.3	.X±*		A1002AWR-nP 卷装	
.XX±0.25	.XX±*	APPD: 邵敬和	DWG NO.:	
--	--	CHKD: 田峰	JKUN/GCBZ-0503	
⊕	◁	UNITS: mm	DR: 蒋建银	SCALE 1 : 1
			SHEET 1 / 1	

REV	ECN No.	DESCRIPTION	DESIGN	DATE
A		Release	蒋建银	2018.06.21



(PET膜剥离示意图)



列表一

Circuits	DIM. D	DIM. E	Q'ty/Reel	Packing (Reel/Caton)
02-05PIN	-	16	1500PCS	20/Reel
06-14PIN	-	24	1500PCS	15/Reel
15-16PIN	28.4	32	1500PCS	11/Reel

包装说明:

- 把成品包入卷盘中, 每盘装1500PCS, 卷盘上贴上合格证, 将装好产品的卷盘放进外箱中, 外箱内先套一个大PE袋, 外箱上贴贴上合格证.
- 所有材料有害物控制需符合RoHS标准.

JKUN 温州健坤接插件有限公司 WENZHOU JKUN CONNECTOR CO., LTD.			TITLE: A1002AWW 包装规范	
X.± 0.5	X.±*	USE: MANUFACTURE	PART NO.:	
.X± 0.3	.X±*		A1002AWW-nP 卷装	
.XX±0.25	.XX±*	APPD: 邵敬和	DWG NO.:	
--	--	CHKD: 田峰	JKUN/GCBZ-0504	
⊕	◁	UNITS: mm	DR: 蒋建银	SCALE 1 : 1
				SHEET 1 / 1