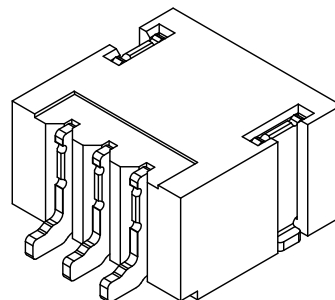
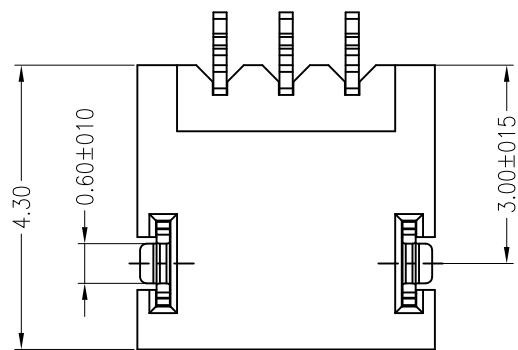
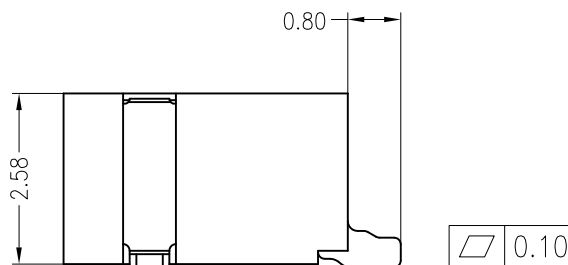
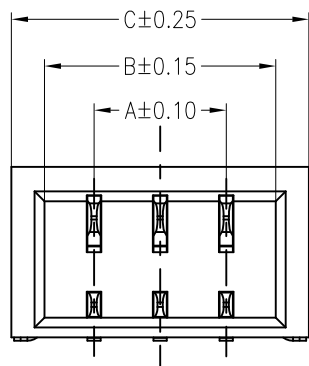


REV	DESCRIPTION	DESIGN	DATE
A0	NEW RELEASE	Steven	2019/09/18

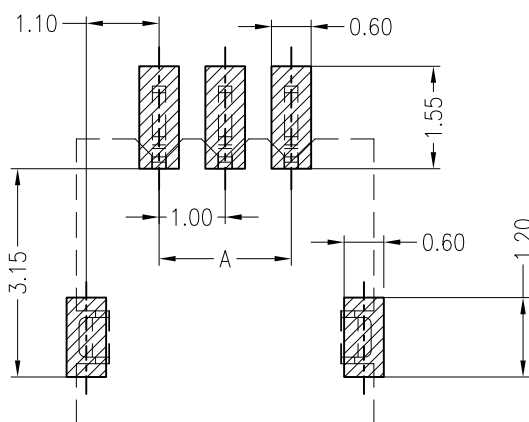
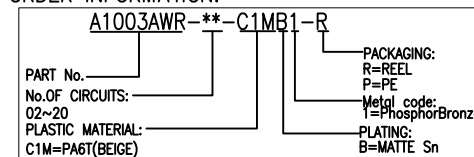


Specifications:

- Poles: 02 to 20
- Contact resistance: $\leq 20m\Omega$
- Insulation resistance: $\geq 100M\Omega$
- Rated voltage: 125V AC DC
- Rated current: 1.0A AC DC
- Withstand Voltage: 500V AC/minute
- Temperature Range: $-25^{\circ}C \sim +85^{\circ}C$
- Housing: PA6T UL94V-0, Natural
- Contacts: Phosphor Bronze/Matte Sn-plated
- Solder Tabs: Brass/Matte Sn-plated



ORDER INFORMATION:

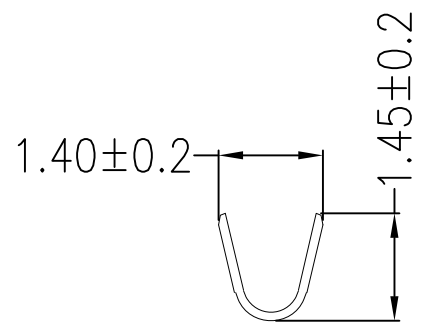
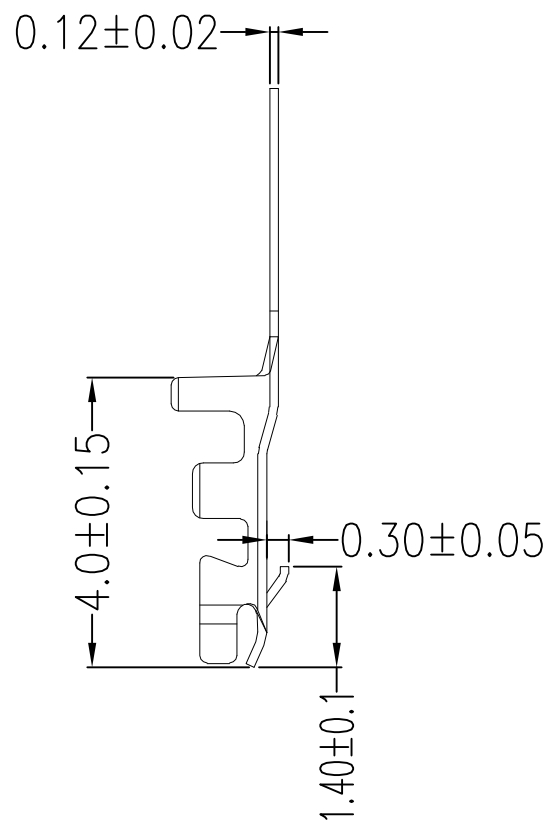
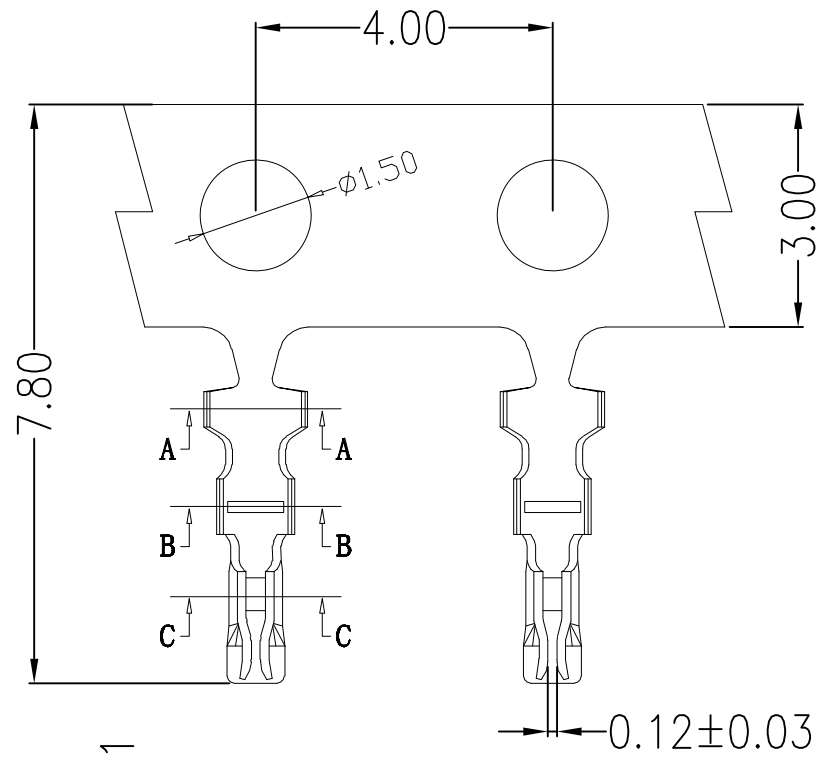


PCB LAYOUT(Tolerance:±0.05)

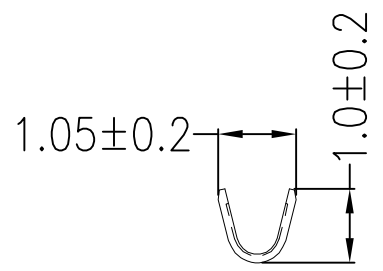
孔位	尺寸	A	B	C	孔位	尺寸	A	B	C
2P		1.00	2.50	3.50	12P		11.00	12.5	13.5
3P		2.00	3.50	4.50	13P		12.00	13.5	14.5
4P		3.00	4.50	5.50	14P		13.00	14.5	15.5
5P		4.00	5.50	6.50	15P		14.00	15.5	16.5
6P		5.00	6.50	7.50	16P		15.00	16.5	17.5
7P		6.00	7.50	8.50	17P		16.00	17.5	18.5
8P		7.00	8.50	9.50	18P		17.00	18.5	19.5
9P		8.00	9.50	10.5	19P		18.00	19.5	20.5
10P		9.00	10.50	11.5	20P		19.00	20.5	21.5
11P		10.00	11.50	12.5					

JKUN 温州健坤接插件有限公司 WENZHOU JKUN CONNECTOR CO.,LTD.		TITLE: 1.0 Pitch Wafer 90° SMT	
GENERAL TOLERANCE		USE: CUSTOMER	PART NO.:
X. ±0.50	X. ±5°	APPD: Wangliang	A1003AWR-**-C1MB1-R
X.X ±0.30	X.X ±2°	CHKD: Liuzhengling	DWG NO.:
X.XX ±0.20	X.XX ±1°	DR: Steven	JKUN-GCCP-0689
UNITS: mm		SCALE 1 : 1	SHEET 1 / 1

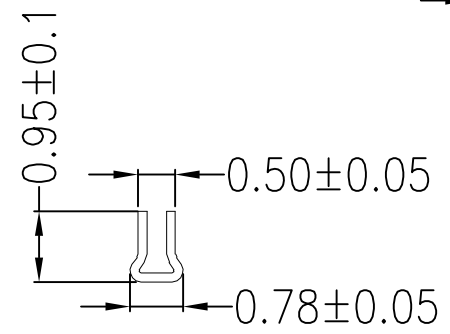
REV	ECN No.	DESCRIPTION	DESIGN	DATE
A0		Release	蒋建银	2018.05.30



Section A-A



Section B-B



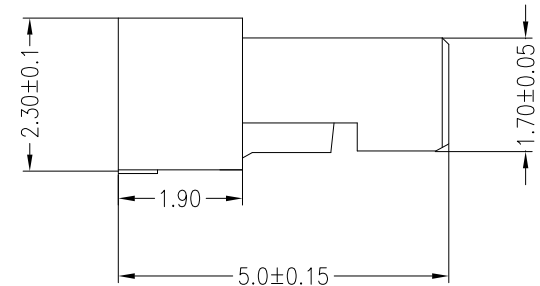
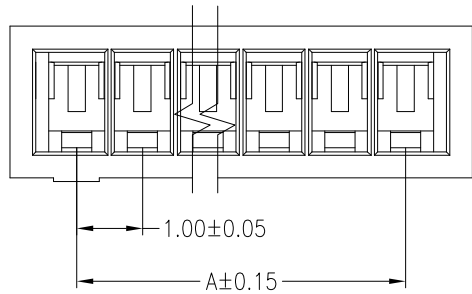
Section C-C

Ordering Information & Specification:

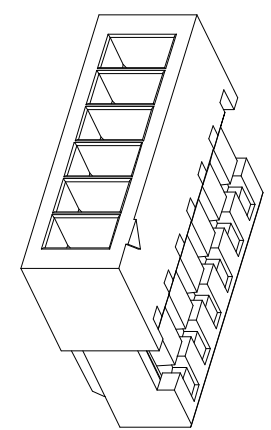
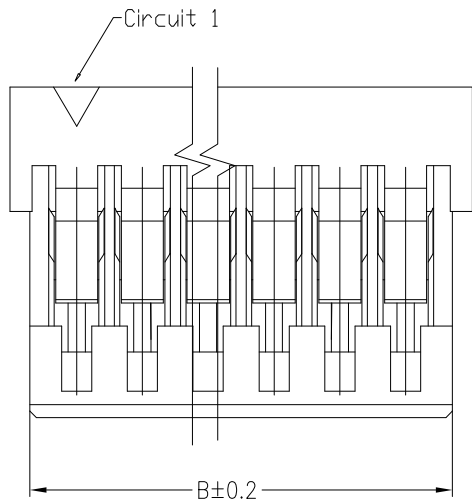
Part No	Wire Range	Insulation O.D.	Material	Finish	Qty/Reel
A1003T-PA	AWG #28~#32	0.4~0.8mm	Phosphor bronze	Sn-plated	
JKUN 温州健坤接插件有限公司 WENZHOU JKUN CONNECTOR CO.,LTD.				TITLE: NH-T 端子 -	
X.±0.1	X.±1'	USE:	MANUFACTURE		
.X±0.05	.X±0.5'	APPD:	A1003T 端子		
.XX±0.01	.XX±0.1'	CHKD:	刘振岭		
.XXX±0.005	.XXX±0.05'	DR:	王亮		
UNITS: mm		DR:	蒋建银		
SCALE 1 : 1				SHEET 1 / 1	

REV	DESCRIPTION	DESIGN	DATE
A0	NEW RELEASE	Steven	2019/05/09

线数 (N)	尺寸 mm	
	A	B
2	1.00	2.40
3	2.00	3.40
4	3.00	4.40
5	4.00	5.40
6	5.00	6.40
7	6.00	7.40
8	7.00	8.40
9	8.00	9.40
10	9.00	10.40
11	10.00	11.40
12	11.00	12.40
13	12.00	13.40
14	13.00	14.40
15	14.00	15.40



Specifications:
 Poles: 02 to 15
 Contact resistance: $\leq 20m\Omega$
 Insulation resistance: $\geq 100M\Omega$
 Rated voltage: 125V AC DC
 Rated current: 1.0A AC DC
 Withstand Voltage: 500V AC/minute
 Temperature Range: $-25^{\circ}C \sim +85^{\circ}C$
 Housing: PA66 UL94V-0, Natural



ORDER INFORMATION:

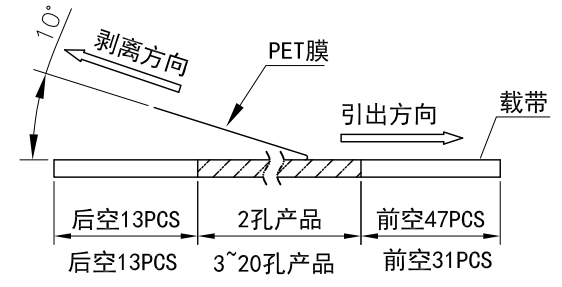
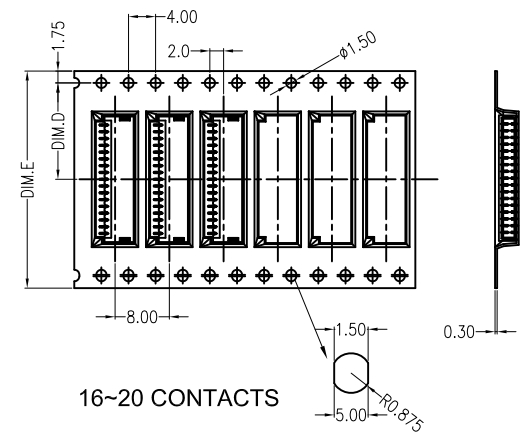
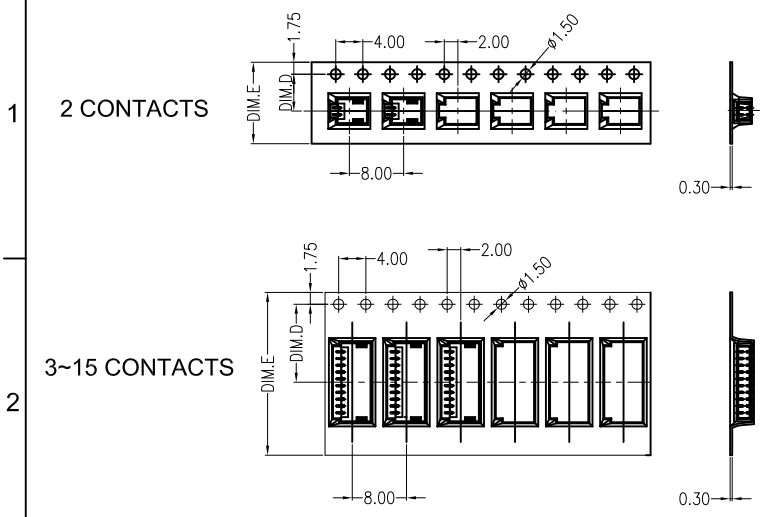
A1003Y-**-A5W-P

PART No. _____
 No.OF CIRCUITS: _____
 ** _____
 PLASTIC MATERIAL: _____
 A5W=PA66(WHITE)

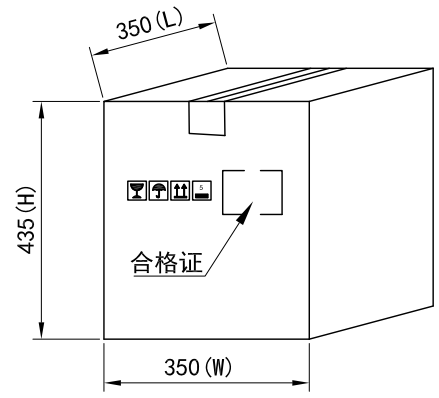
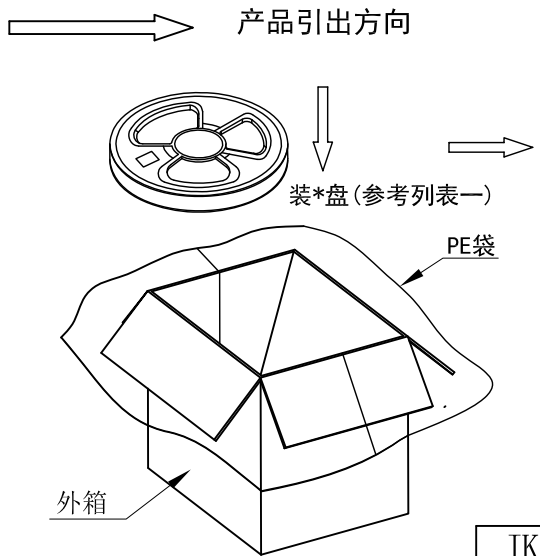
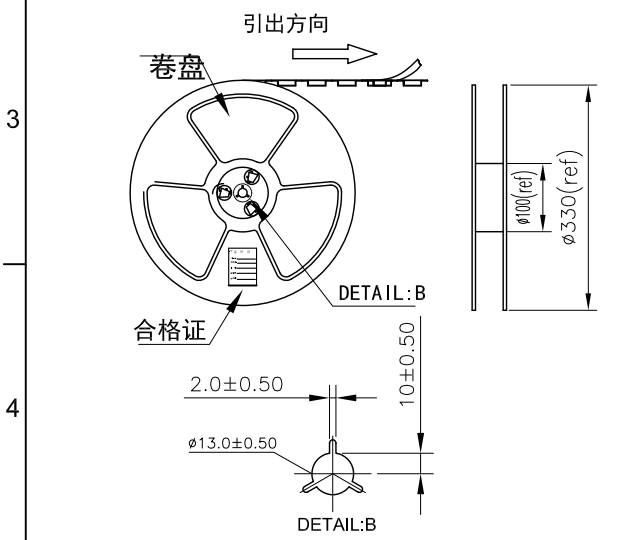
PACKAGING:
 P=PE

JKUN 温州健坤接插件有限公司 WENZHOU JKUN CONNECTOR CO.,LTD.		TITLE: 1.0 Pitch HOUSING	
GENERAL TOLERANCE		USE: CUSTOMER	PART NO.:
X. ± 0.50	X. $\pm 5^{\circ}$	APPD: Wangliang	A1003Y-**-A5W-P
X.X ± 0.30	X.X $\pm 2^{\circ}$	CHKD: Zenglingqing	DWG NO.:
X.XX ± 0.20	X.XX $\pm 1^{\circ}$	DR: Steven	JKUN-GCCP-0850
	UNITS: mm	SCALE 1 : 1	SHEET 1 / 1

REV	ECN No.	DESCRIPTION	DESIGN	DATE
A		Release	陈志明	2021.3.12



(PET膜剥离示意图)



列表一

Circuits	DIM. D	DIM. E	Q'ty/Reel	Packing (Reel/Caton)
2 PIN	5.5	12	3000PCS	25/Reel
3~7PIN	7.5	16	2500PCS	20/Reel
8~15PIN	11.5	24	2500PCS	15/Reel
16~20PIN	14.2	32	2500PCS	11/Reel

包装说明:
 1. 把成品包入卷盘中, 每盘装2500PCS(2孔3000PCS), 卷盘上贴上合格证, 将装好产品的卷盘放进外箱中, 外箱内先套一个大PE袋, 外箱上贴贴合格证。
 2. 所有材料有害物控制需符合RoHS标准。

JKUN 温州健坤接插件有限公司 WENZHOU JKUN CONNECTOR CO., LTD.			TITLE:	
X.±0.5	X.±'	USE: MANUFACTURE	PART NO.: A1003WR卷装规范	
.X±0.3	.X±'	APPD: 王锋	DWG NO.: JKUN/GCBZ-0689	
.XX±0.25	.XX±'	CHKD: 曾令青	SCALE 1 : 1	
--	--	DR: 蒋建银	SHEET 1 / 1	
UNITS: mm				