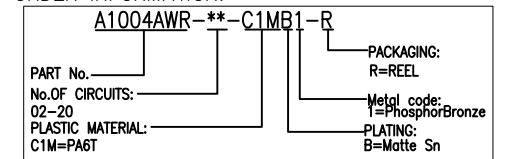


PCB LAYOUT(Tolerance:±0.05)

REV	DESCRIPTION	DESIGN	DATE
A0	NEW RELEASE	Steven	2019/05/09

Specifications:  
 Poles: 02 to 20  
 Contact resistance: ≤20mΩ  
 Insulation resistance: ≥100MΩ  
 Rated voltage: 125V AC DC  
 Rated current: 1.0A AC DC  
 Withstand Voltage: 500V AC/minute  
 Temperature Range: -25°C ~ +85°C  
 Housing: PA6T UL94V-0, Natural  
 Contacts: PhosphorBronze/Matte Sn-plated  
 Solder Tabs: Brass/Matte Sn-plated

ORDER INFORMATION:



孔位	尺寸	A	B	C	孔位	尺寸	A	B	C
2P		1.00	2.50	3.50	12P		11.00	12.5	13.5
3P		2.00	3.50	4.50	*13P		12.00	13.5	14.5
4P		3.00	4.50	5.50	*14P		13.00	14.5	15.5
5P		4.00	5.50	6.50	*15P		14.00	15.5	16.5
6P		5.00	6.50	7.50	*16P		15.00	16.5	17.5
7P		6.00	7.50	8.50	*17P		16.00	17.5	18.5
8P		7.00	8.50	9.50	*18P		17.00	18.5	19.5
9P		8.00	9.50	10.5	*19P		18.00	19.5	20.5
10P		9.00	10.50	11.5	*20P		19.00	20.5	21.5
*11P		10.00	11.50	12.5					

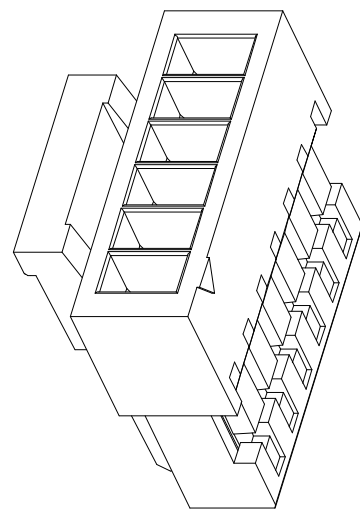
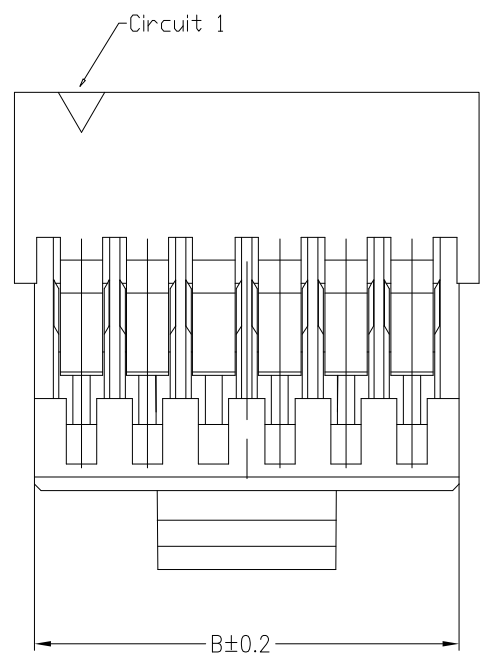
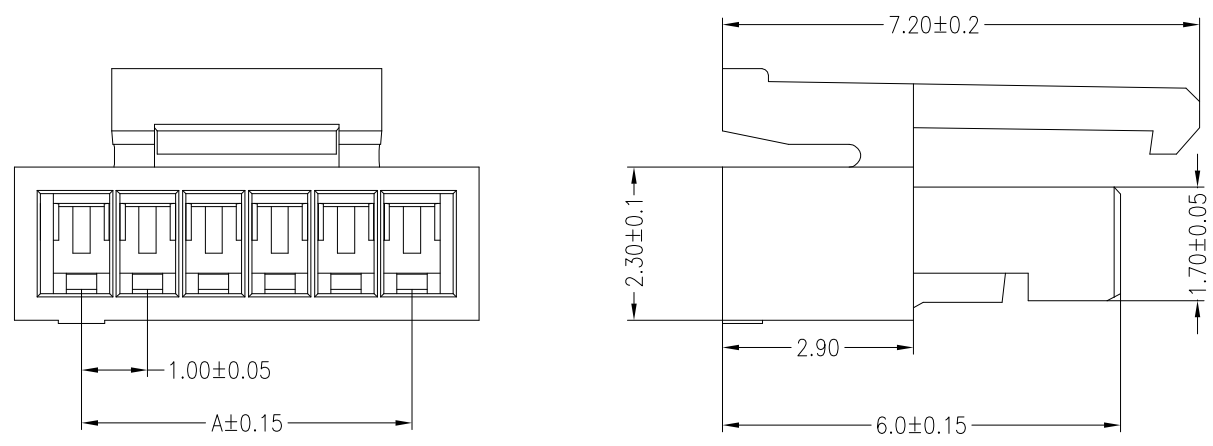
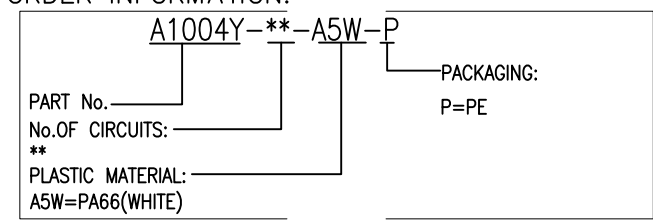
<b>JKUN</b> 温州健坤接插件有限公司 WENZHOU JKUN CONNECTOR CO.,LTD.		TITLE: 1.0 Pitch Wafer 90° SMT	
GENERAL TOLERANCE		PART NO.:	
X. ±0.50	X. ±5°	A1004AWR-**-C1MB1-R	
X.X ±0.30	X.X ±2°	DWG NO.:	
X.XX ±0.20	X.XX ±1°	JKUN-GCCP-0819	
UNITS: mm	USE: CUSTOMER	SCALE	
	APPD: Wangliang	1 : 1	
	CHKD: Liuzhengling	SHEET	
	DR: Steven	1 / 1	

REV	DESCRIPTION	DESIGN	DATE
A0	NEW RELEASE	Steven	2019/05/09

线数 (N)	尺寸 mm	
	A	B
2	1.00	2.40
3	2.00	3.40
4	3.00	4.40
5	4.00	5.40
6	5.00	6.40
7	6.00	7.40
8	7.00	8.40
9	8.00	9.40
10	9.00	10.40
11	10.00	11.40
12	11.00	12.40
13	12.00	13.40
14	13.00	14.40
15	14.00	15.40

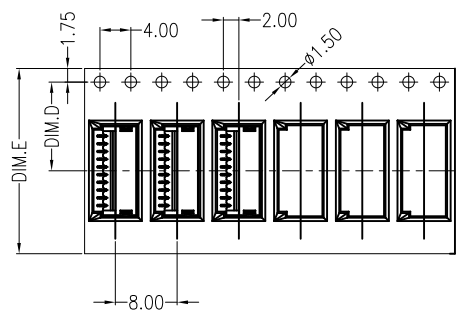
Specifications:  
 Poles: 02 to 15  
 Contact resistance:  $\leq 20m\Omega$   
 Insulation resistance:  $\geq 100M\Omega$   
 Rated voltage: 125V AC DC  
 Rated current: 1.0A AC DC  
 Withstand Voltage: 500V AC/minute  
 Temperature Range:  $-25^{\circ}C \sim +85^{\circ}C$   
 Housing: PA66 UL94V-0, Natural

ORDER INFORMATION:

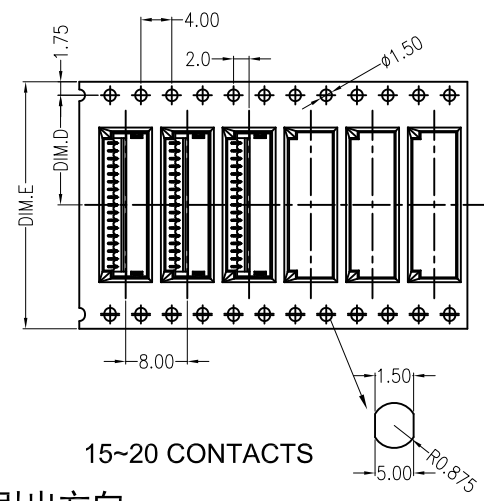


<b>JKUN</b> 温州健坤接插件有限公司 WENZHOU JKUN CONNECTOR CO.,LTD.		TITLE: 1.0 Pitch HOUSING	
GENERAL TOLERANCE		USE: CUSTOMER	PART NO.:
X. ±0.50	X. ±5'	APPD: Wangliang	A1004Y-**-A5W-P
X.X ±0.30	X.X ±2'	CHKD: Zenglingqing	DWG NO.:
X.XX ±0.20	X.XX ±1'	DR: Steven	JKUN-GCCP-0829
UNITS: mm		SCALE 1 : 1	SHEET 1 / 1

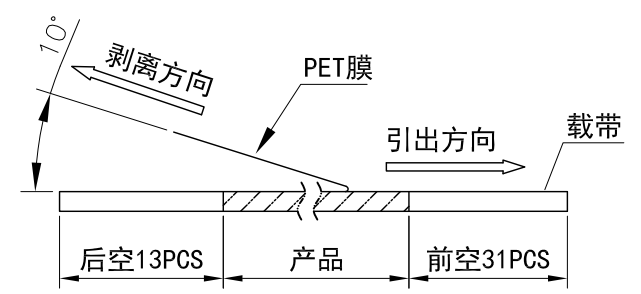
REV	ECN No.	DESCRIPTION	DESIGN	DATE
A		Release	蒋建银	2019.05.22



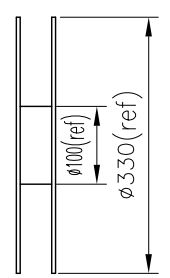
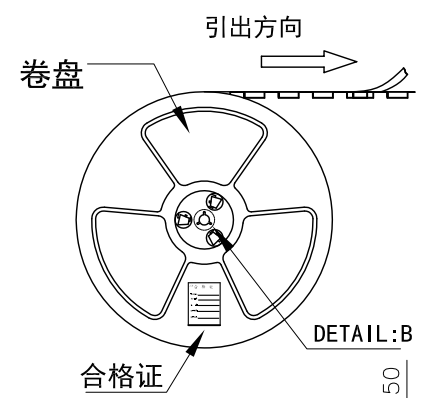
2~15 CONTACTS



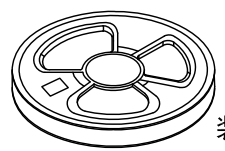
15~20 CONTACTS



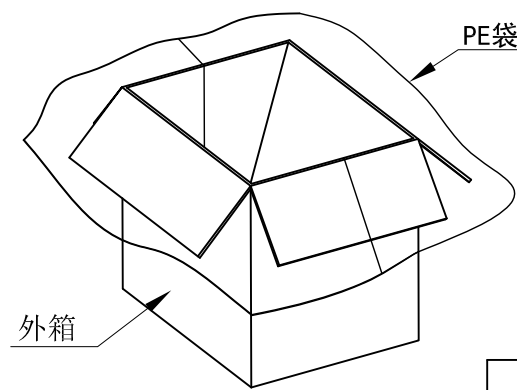
(PET膜剥离示意图)



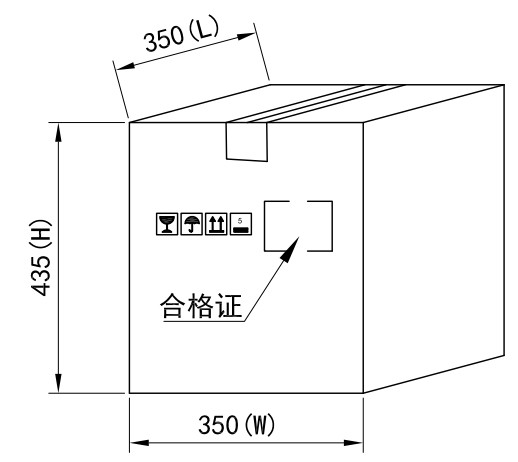
产品引出方向



装\*盘(参考列表一)



外箱



列表一

Circuits	DIM. D	DIM. E	Q'ty/Reel	Packing (Reel/Caton)
2 PIN	5.5	12	2500PCS	25/Reel
3~7PIN	7.5	16	2500PCS	20/Reel
8~15PIN	11.5	24	2500PCS	15/Reel
16~20PIN	14.2	32	2500PCS	11/Reel

包装说明:

- 把成品包入卷盘中，每盘装2500PCS，卷盘上贴上合格证，将装好产品的卷盘放进外箱中，外箱内先套一个大PE袋，外箱上贴贴上合格证。
- 所有材料有害物控制需符合RoHS标准。

JKUN 温州健坤接插件有限公司 WENZHOU JKUN CONNECTOR CO., LTD.			TITLE:		
X.± 0.5	X.±'	USE: MANUFACTURE	PART NO.:		
.X± 0.3	.X±'		A1004AWR卷装规范		
.XX± 0.25	.XX±'	APPD: 王锋	DWG NO.:		
--	--	CHKD: 曾令青	JKUN/GCBZ-0819		
		UNITS: mm	DR: 蒋建银	SCALE	SHEET
				1 : 1	1 / 1