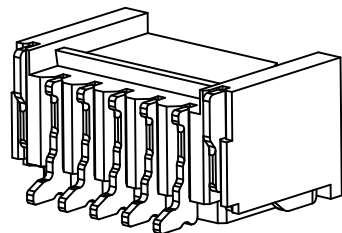
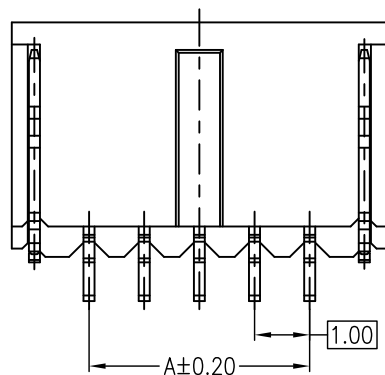
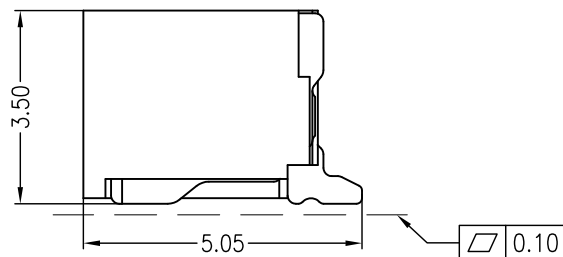
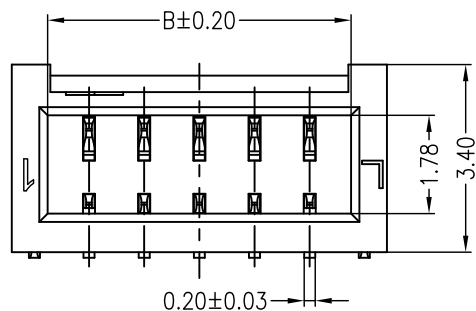


PCB LAYOUT(Tolerance:±0.05)



REV	DESCRIPTION	DESIGN	DATE
A	NEW RELEASE	FangSongLe	2021/06/30

Specifications:

Poles: 02 to 20
 Contact resistance: ≤20mΩ
 Insulation resistance: ≥100MΩ
 Rated voltage: 125V AC DC
 Rated current: 1.0A AC DC
 Withstand Voltage: 500V AC/minute
 Temperature Range: -25°C~ +85°C
 Housing: PA6T UL94V-0, Natural
 Cap: PA6T UL94V-0, Natural
 Contacts: PhosphorBronze/Matte Sn-plated
 Solder tabs: PhosphorBronze/Matte Sn-plated

ORDER INFORMATION:

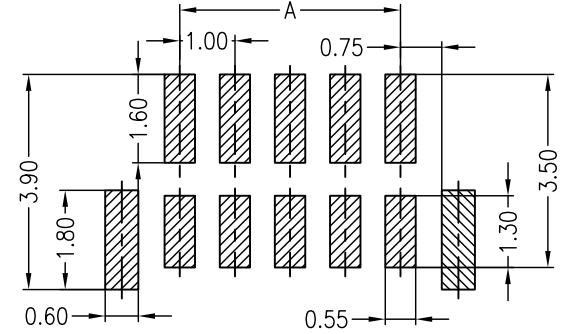
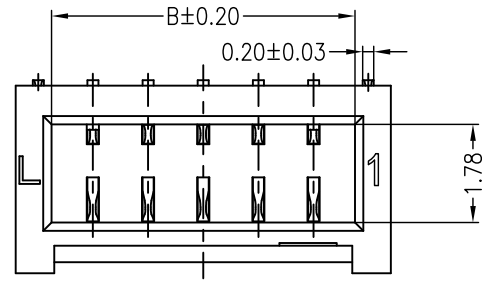
A1007AWR--C2MB1-R**

PART No.		PACKAGING:
No.OF CIRCUITS:		R=REEL
02-20P		Metal code:
PLASTIC MATERIAL:		1=PhosphorBronze
C2M=PA6T		PLATING:
		B=MATTE Sn

PIN	DIM A	DIM B	DIM C	PIN	DIM A	DIM B	DIM C
2P	1.00	2.50	3.80	12P	11.00	12.5	13.8
3P	2.00	3.50	4.80	13P	12.00	13.5	14.8
4P	3.00	4.50	5.80	14P	13.00	14.5	15.8
5P	4.00	5.50	6.80	15P	14.00	15.5	16.8
6P	5.00	6.50	7.80	16P	15.00	16.5	17.8
7P	6.00	7.50	8.80	17P	16.00	17.5	18.8
8P	7.00	8.50	9.80	18P	17.00	18.5	19.8
9P	8.00	9.50	10.8	19P	18.00	19.5	20.8
10P	9.00	10.50	11.8	20P	19.00	20.5	21.8
11P	10.00	11.50	12.8				

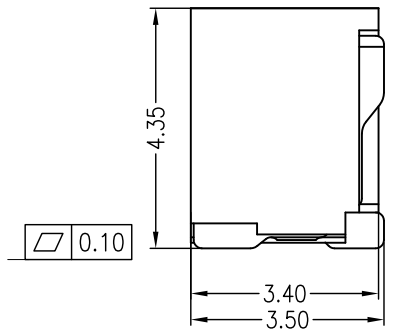
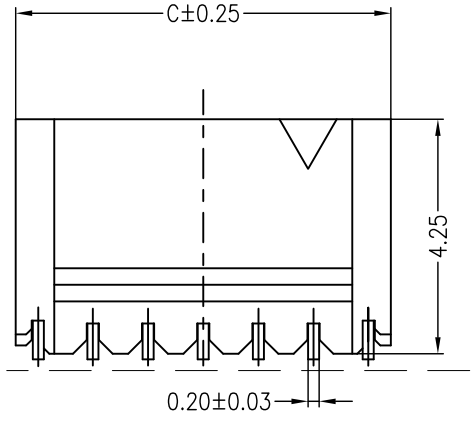
JKUN 温州健坤接插件有限公司 WENZHOU JKUN CONNECTOR CO.,LTD.		TITLE: 1.0 Pitch Wafer 90° SMT	
GENERAL TOLERANCE		USE:	PART NO.:
X. ±0.50	X. ±5'	CUSTOMER	A1007AWR-**-C2MB1-R
X.X ±0.30	X.X ±2'	APPD:	DWG NO.:
X.XX ±0.20	X.XX ±1'	Liuzhengling	JKUN-GCKH-0877
CHKD: Steven	UNITS: mm	DR: FangSongLe	SCALE
			1 : 1
			SHEET
			1 / 1

REV	DESCRIPTION	DESIGN	DATE
A0	NEW RELEASE	FangSongLe	2020/08/07



PCB LAYOUT(Tolerance:±0.05)

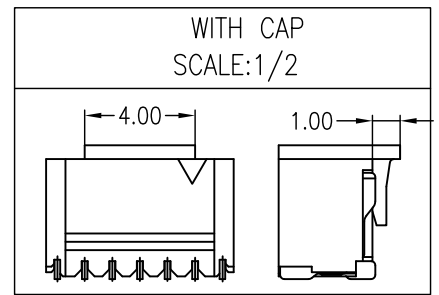
Specifications:
 Poles: 02 to 20
 Contact resistance: ≤20mΩ
 Insulation resistance: ≥100MΩ
 Rated voltage: 125V AC DC
 Rated current: 1.0A AC DC
 Withstand Voltage: 500V AC/minute
 Temperature Range: -25°C ~ +85°C
 Housing: PA6T UL94V-0, Natural
 Cap: PA6T UL94V-0, Natural
 Contacts: PhosphorBronze/Matte Sn-plated
 Solder tabs: PhosphorBronze/Matte Sn-plated



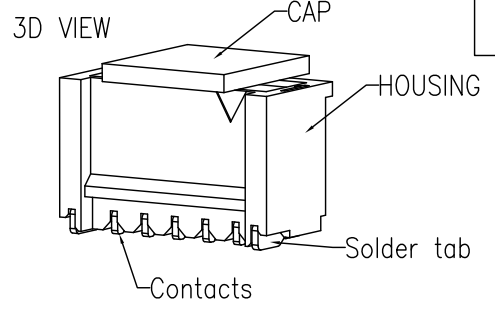
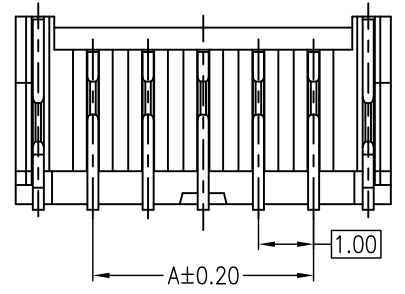
ORDER INFORMATION:

A1007AWV--C2MB1-R-X**

PART No.		X:CAP
No.OF CIRCUITS:		R=REEL
PLASTIC MATERIAL:		Metal code:
C2M=PA6T		1=PhosphorBronze
		PLATING:
		B=MATTE Sn

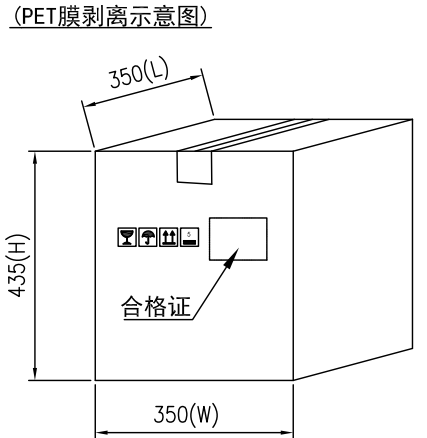
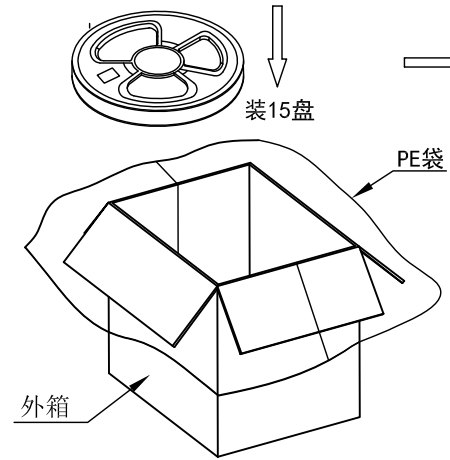
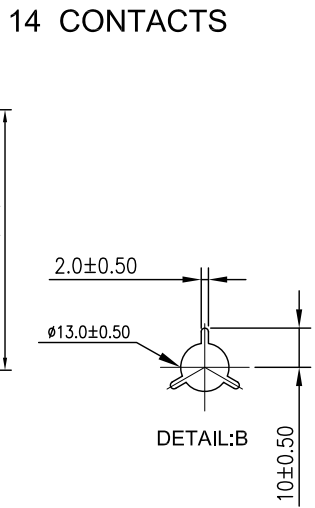
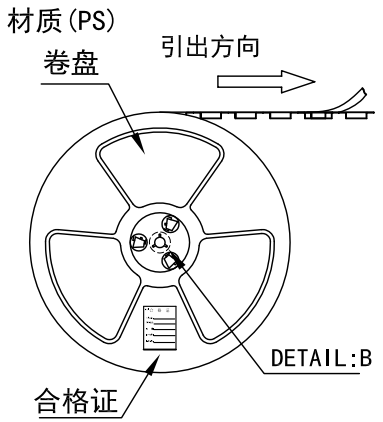
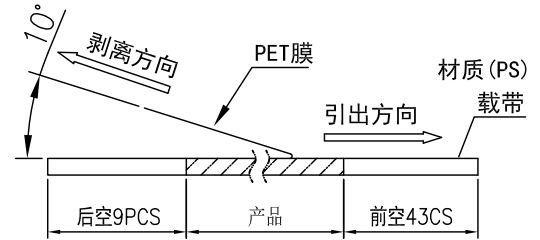
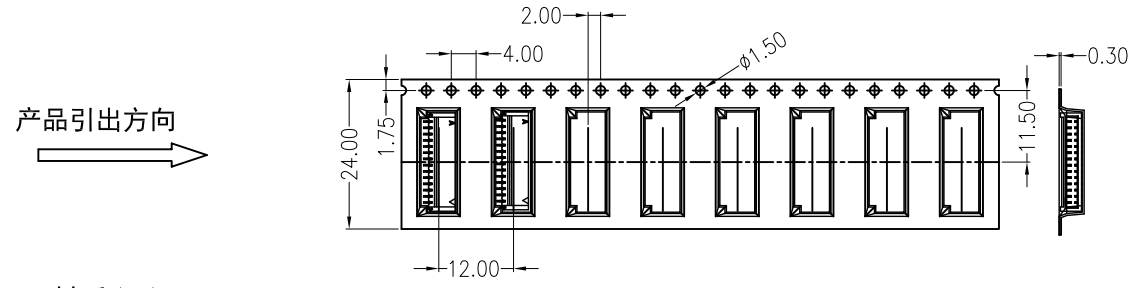
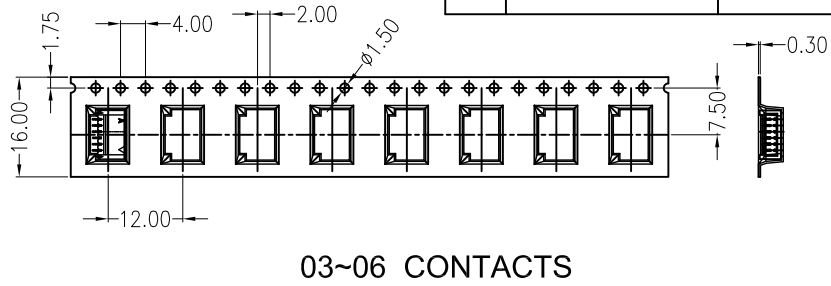
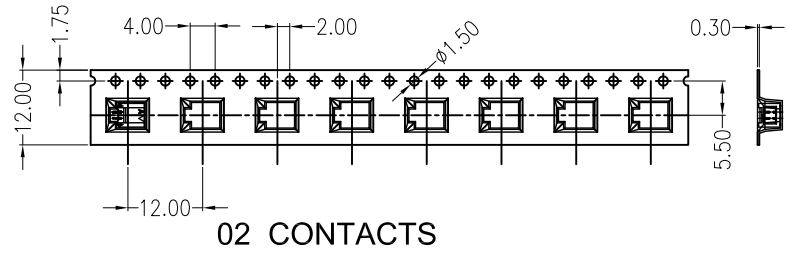


PIN	DIM A	DIM B	DIM C	PIN	DIM A	DIM B	DIM C
2P	1.00	2.50	3.80	12P	11.00	12.5	13.8
3P	2.00	3.50	4.80	13P	12.00	13.5	14.8
4P	3.00	4.50	5.80	14P	13.00	14.5	15.8
5P	4.00	5.50	6.80	15P	14.00	15.5	16.8
6P	5.00	6.50	7.80	16P	15.00	16.5	17.8
7P	6.00	7.50	8.80	17P	16.00	17.5	18.8
8P	7.00	8.50	9.80	18P	17.00	18.5	19.8
9P	8.00	9.50	10.8	19P	18.00	19.5	20.8
10P	9.00	10.50	11.8	20P	19.00	20.5	21.8
11P	10.00	11.50	12.8				



JKUN 温州健坤接插件有限公司 WENZHOU JKUN CONNECTOR CO.,LTD.		TITLE: 1.0 Pitch Wafer 180° SMT	
GENERAL TOLERANCE		USE: CUSTOMER	PART NO.:
X. ±0.50	X. ±5'	APPD: Liuzhengling	A1007AWV-**-C2MB1-R-X
X.X ±0.30	X.X ±2'	CHKD: Steven	DWG NO.:
X.XX ±0.20	X.XX ±1'	DR: FangSongLe	JKUN-GCKH-0877
UNITS: mm		SCALE 1 : 1	SHEET 1 / 1

REV	ECN No.	DESCRIPTION	DESIGN	DATE
A		Release	陈志明	2022.05.19



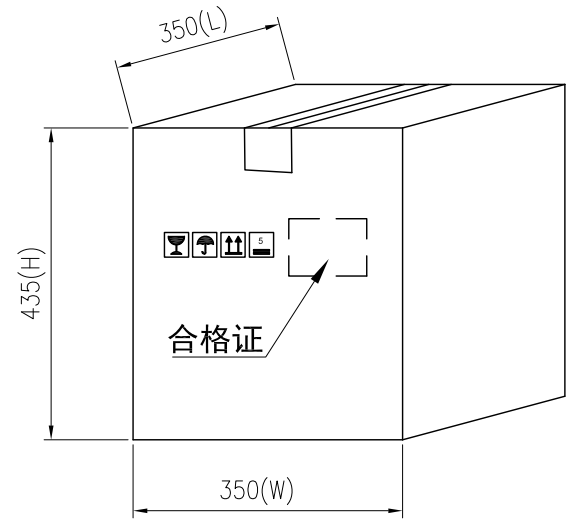
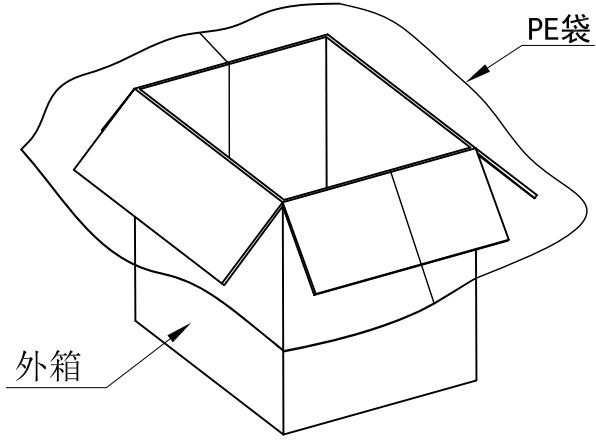
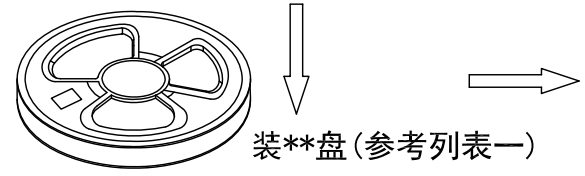
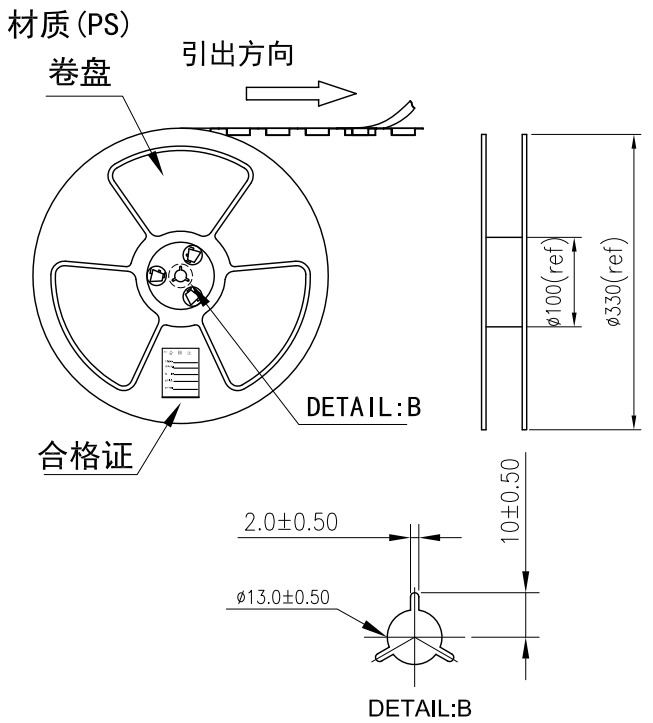
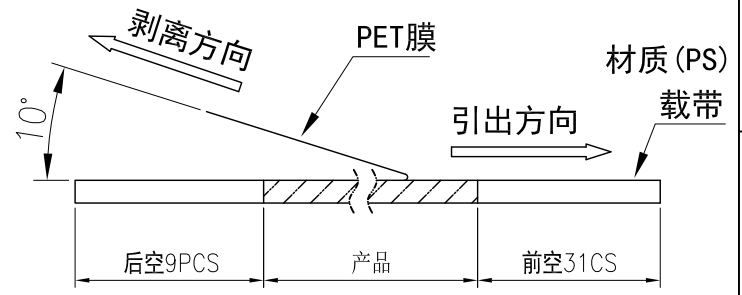
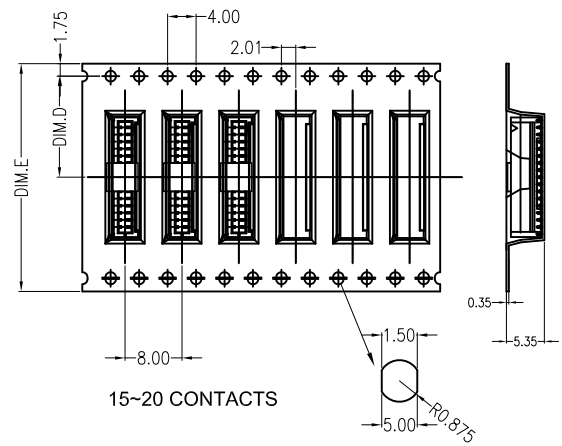
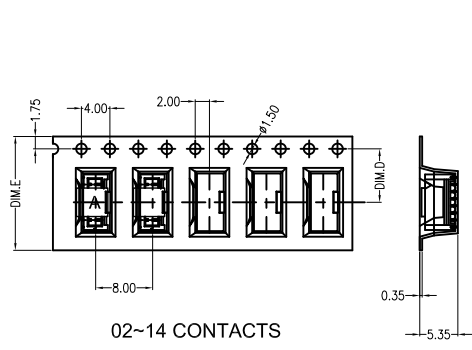
列表一

Circuits	DIM. D	DIM. E	Q'ty/Reel	Packing (Reel/Caton)
02PIN	5.50	12	1500PCS	25/Reel
03~06PIN	7.50	16	1500PCS	20/Reel
14PIN	11.50	24	1500PCS	15/Reel

- 包装说明:
- 把成品包入卷盘中, 每盘装1500PCS, 卷盘上贴上合格证, 将装好产品的卷盘放进外箱中, 外箱内先套一个大PE袋, 外箱上贴贴上合格证.
 - 所有材料有害物控制需符合RoHS标准.

JKUN 温州健坤接插件有限公司 WENZHOU JKUN CONNECTOR CO., LTD.			TITLE: A1007AWR	
X.± 0.5	X.±*	USE: MANUFACTURE	PART NO.:	
.X± 0.3	.X±*		A1007AWR 卷装规范	
.XX±0.25	.XX±*	APPD: 张忠永	DWG NO.:	
--	--	CHKD: 蒋建银	JKUN/GCBZ-0814	
⊕	◁	UNITS: mm	DR: 陈志明	SCALE 1 : 1
			SHEET 1 / 1	

REV	ECN No.	DESCRIPTION	DESIGN	DATE
A		Release	蒋建银	2020.09.21



列表一

Circuits	DIM. D	DIM. E	Q'ty/Reel	Packing (Reel/Caton)
02~03PIN	5.50	12	1500PCS	25/Reel
04~06PIN	7.50	16	1500PCS	20/Reel
07~14PIN	11.50	24	1500PCS	15/Reel
15~20PIN	14.20	32	1500PCS	11/Reel

包装说明:

- 把成品包入卷盘中，每盘装1500PCS，卷盘上贴上合格证，将装好产品的卷盘放进外箱中，外箱内先套一个大PE袋，外箱上贴贴上合格证。
- 所有材料有害物控制需符合RoHS标准。

JKUN 温州健坤接插件有限公司 WENZHOU JKUN CONNECTOR CO., LTD.		TITLE: A1007AWV	
X.± 0.5	X.±*	USE: MANUFACTURE	PART NO.: A1007AWV 卷装规范
.X± 0.3	.X±*	APPD: 王锋	DWG NO.: JKUN/GCBZ-0877
.XX±0.25	.XX±*	CHKD: 方松乐	SCALE 1 : 1
--	--	DR: 蒋建银	SHEET 1 / 1
UNITS: mm			