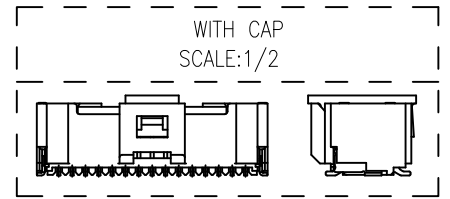
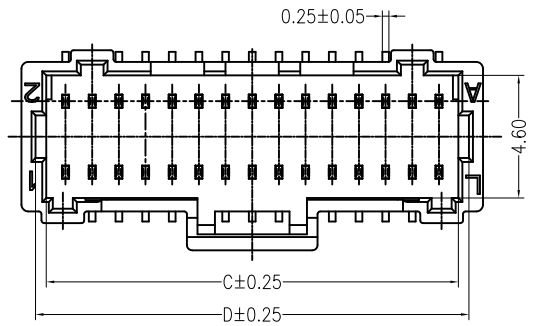
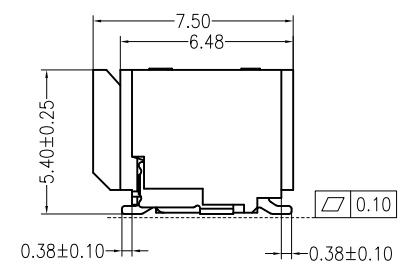
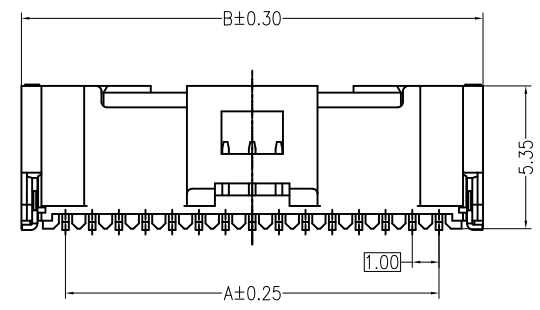


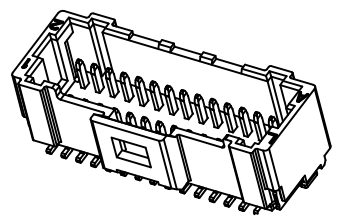
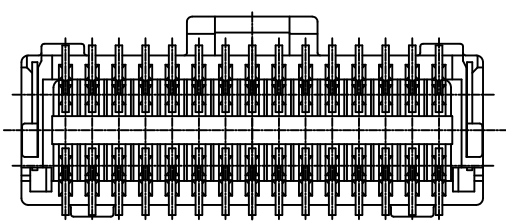
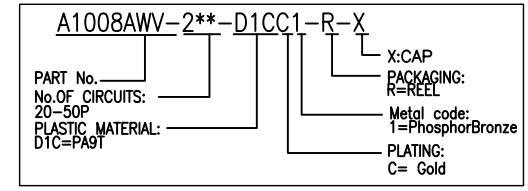
REV	DESCRIPTION	DESIGN	DATE
A	NEW RELEASE	FangSongLe	2020/09/23



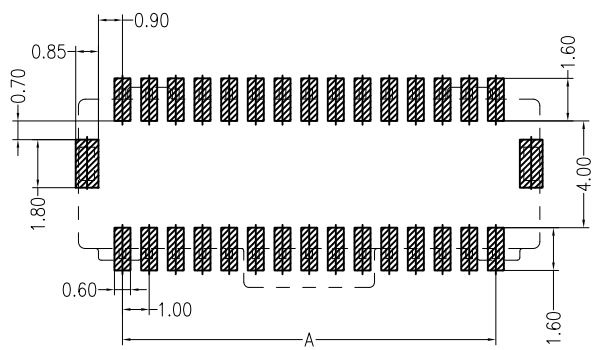
Specifications:
 Poles: 20 to 50
 Contact resistance: ≤20mΩ
 Insulation resistance: ≥100MΩ
 Rated voltage: 50V AC DC
 Rated current: 0.8A AC DC
 Withstand Voltage: 250V AC/minute
 Temperature Range: -25°C ~ +85°C
 Housing: PA9T UL94V-0, Natural
 Contacts: Phosphor Bronze / Gold-plated
 Solder tabs: Brass / MATTE Sn-plated
 Cap: PA9T UL94V-0, Natural



ORDER INFORMATION:



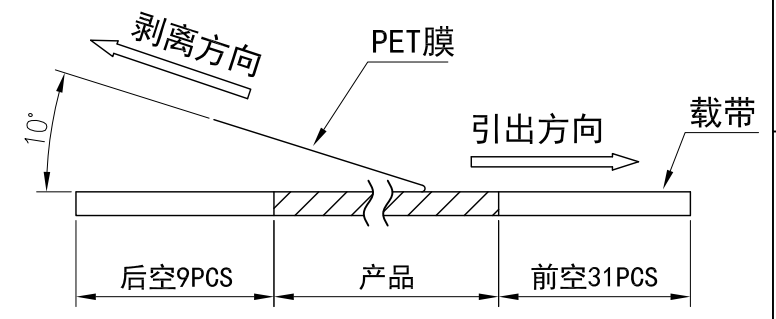
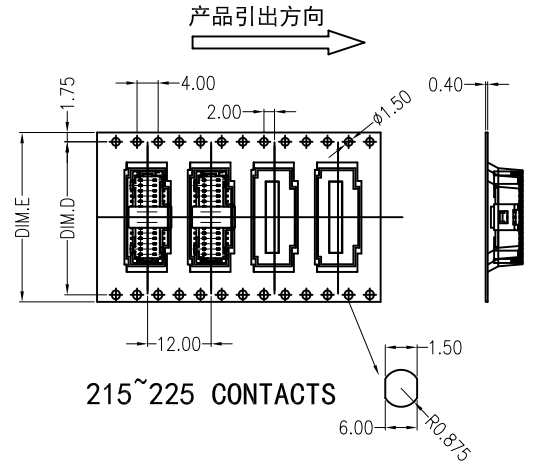
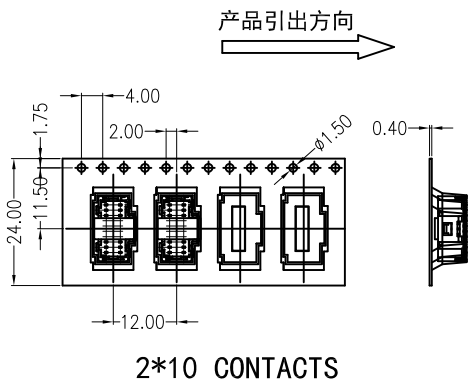
PIN.	DIM A	DIM B	DIM C	DIM D
2x10P	9.00	12.30	10.45	11.25
2x15P	14.00	17.30	15.45	16.25
2x20P	19.00	22.30	20.45	21.25
2x25P	24.00	27.30	25.45	26.25



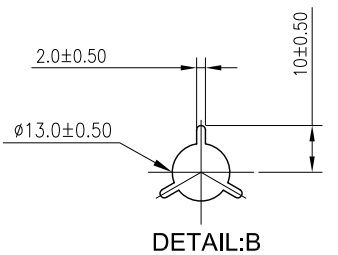
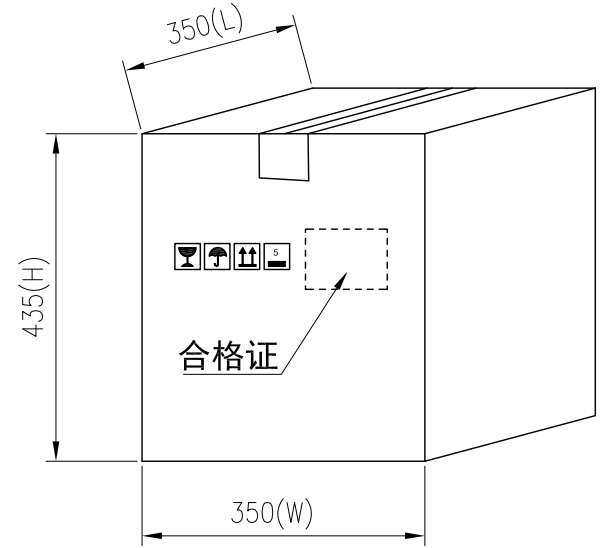
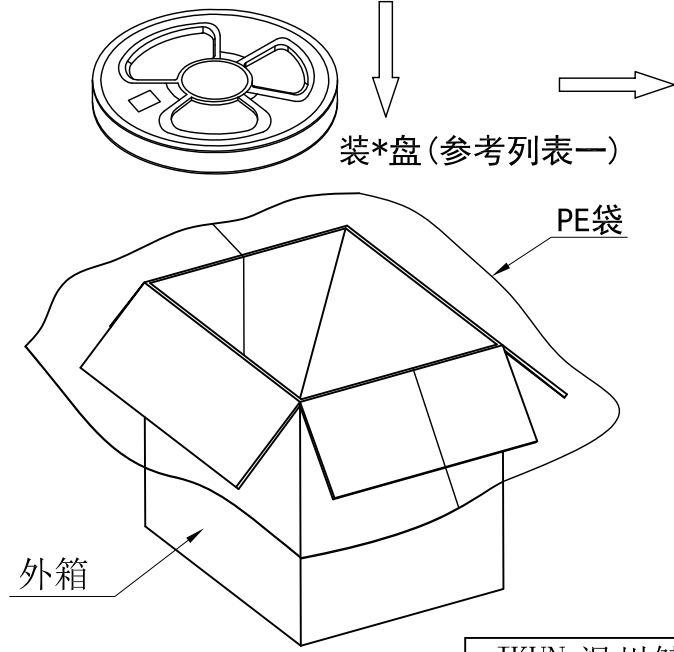
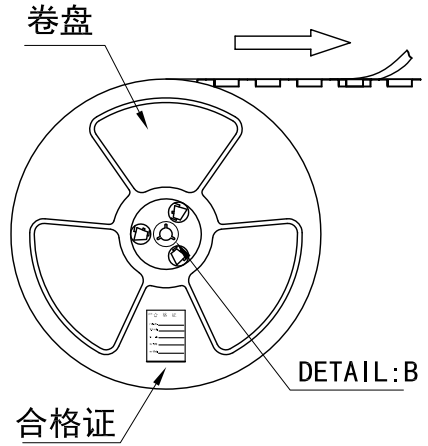
PCB LAYOUT (Tolerance: ±0.05)

JKUN 温州健坤接插件有限公司 WENZHOU JKUN CONNECTOR CO.,LTD.		TITLE: 1.00 Pitch Wafer 180° SMT	
GENERAL TOLERANCE		USE: CUSTOMER	PART NO.:
X. ±0.50	X. ±5°	APPD: Liuzhengling	A1008AWV-2**-D1CC1-R-X
X.X ±0.30	X.X ±2°	CHKD: Steven	DWG NO.:
X.XX ±0.20	X.XX ±1°	DR: FangSongLe	JKUN-GCKH-0852
UNITS: mm		SCALE 1 : 1	SHEET 1 / 1

REV	ECN No.	DESCRIPTION	DESIGN	DATE
A		Release	蒋建银	2021.07.22



(PET膜剥离示意图)



列表一

Circuits	DIM. D	DIM. E	Q'ty/Reel	Packing (Reel/Caton)
2*10PIN	-	24	800PCS	15/Reel
2*15PIN	28.4	32	800PCS	11/Reel
2*20~2*25PIN	40.4	44	800PCS	8/Reel

- 包装说明:
- 把成品包入卷盘中, 每盘装800PCS, 卷盘上贴上合格证, 将装好产品的卷盘放进外箱中, 外箱内先套一个大PE袋, 外箱上贴贴上合格证.
 - 所有材料有害物控制需符合RoHS标准.

JKUN 温州健坤接插件有限公司 WENZHOU JKUN CONNECTOR CO., LTD.			TITLE:	
X.± 0.5	X.±*	USE:	CUSTOMER	
.X± 0.3	.X±*	APPD:	邵敬和	
.XX±0.25	.XX±*	CHKD:	方松乐	
--	--	DR:	蒋建银	
UNITS: mm		SCALE		SHEET
		1 : 1		1 / 1

PART NO.:	
A1008AWW 卷装规范	
DWG NO.:	
JKUN/GCBZ-0852	