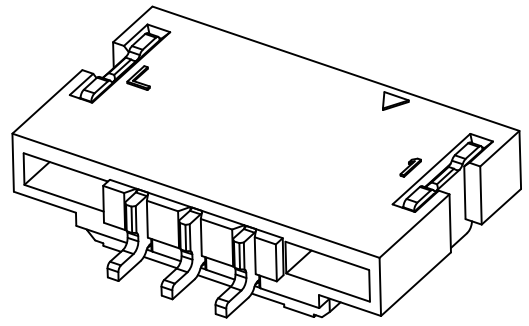
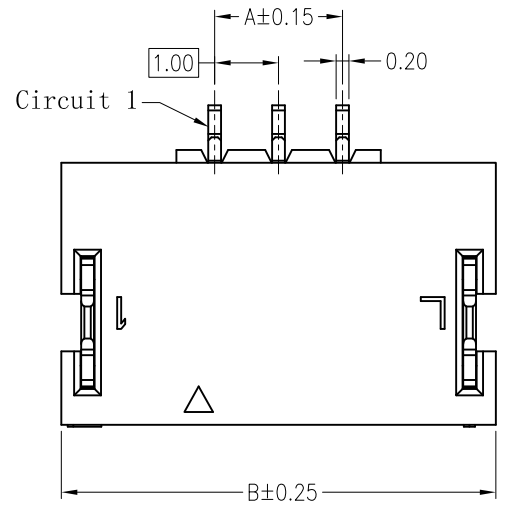
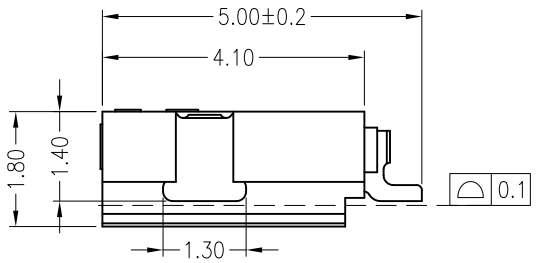
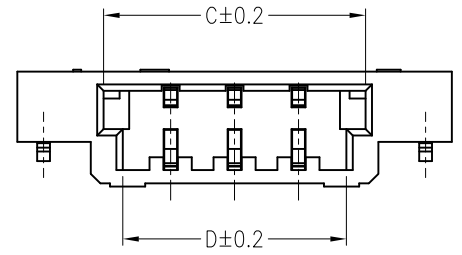


REV	DESCRIPTION	DESIGN	DATE
A0	NEW RELEASE	Lingqing	2020/07/11

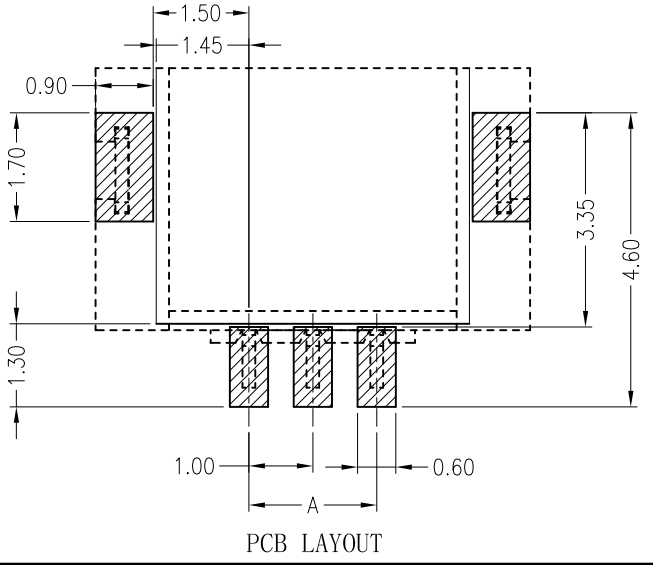


Specifications:

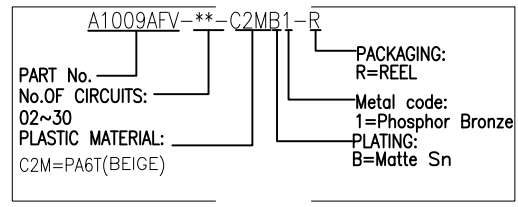
- Contact resistance: $\leq 20m\Omega$
- Insulation resistance: $\geq 100M\Omega$
- Rated voltage: 50V AC DC
- Rated current: 1.0A AC DC
- Withstand Voltage: 500V AC/minute
- Temperature Range: $-25^{\circ}C \sim +85^{\circ}C$
- Housing: PA6T UL94V-0, Natural (Beige)
- Contacts: Phosphor bronze / Matte Sn
- Solder Tabs: Phosphor bronze / Matte Sn



Circuits	Dimensions (mm)				Circuits	Dimensions (mm)			
	A	B	C	D		A	B	C	D
02	1.00	5.80	3.10	2.50	*17	16.00	20.80	18.10	17.50
03	2.00	6.80	4.10	3.50	*18	17.00	21.80	19.10	18.50
04	3.00	7.80	5.10	4.50	*19	18.00	22.80	20.10	19.50
05	4.00	8.80	6.10	5.50	*20	19.00	23.80	21.10	20.50
06	5.00	9.80	7.10	6.50	*21	20.00	24.80	22.10	21.50
07	6.00	10.80	8.10	7.50	*22	21.00	25.80	23.10	22.50
08	7.00	11.80	9.10	8.50	*23	22.00	26.80	24.10	23.50
*09	8.00	12.80	10.10	9.50	*24	23.00	27.80	25.10	24.50
*10	9.00	13.80	11.10	10.50	*25	24.00	28.80	26.10	25.50
*11	10.00	14.80	12.10	11.50	*26	25.00	29.80	27.10	26.50
*12	11.00	15.80	13.10	12.50	*27	26.00	30.80	28.10	27.50
*13	12.00	16.80	14.10	13.50	*28	27.00	31.80	29.10	28.50
*14	13.00	17.80	15.10	14.50	*29	28.00	32.80	30.10	29.50
*15	14.00	18.80	16.10	15.50	*30	29.00	33.80	31.10	30.50
*16	15.00	19.80	17.10	16.50					

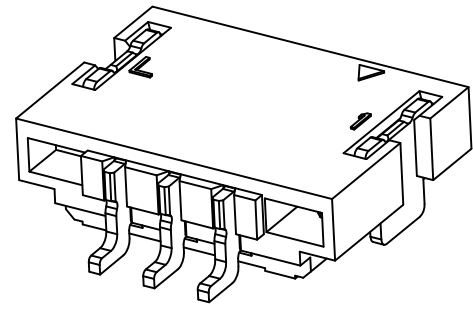
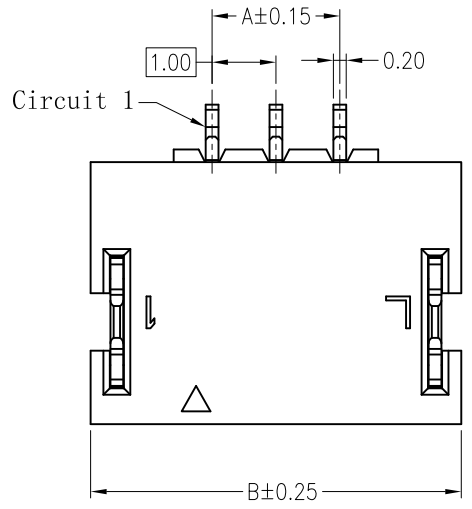


ORDER INFORMATION:



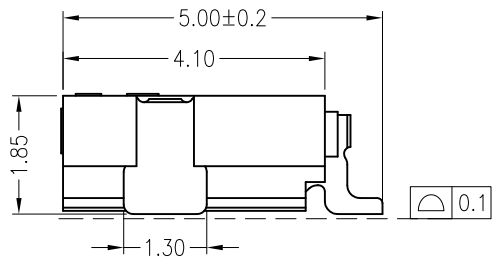
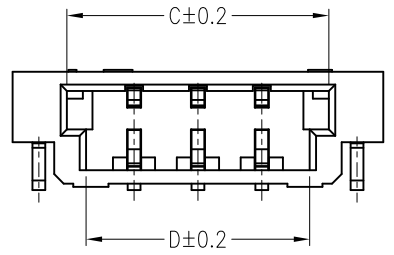
JKUN 温州健坤接插件有限公司 WENZHOU JKUN CONNECTOR CO.,LTD.		TITLE: 1.0 Pitch Wafer 90° SMT	
GENERAL TOLERANCE		USE: CUSTOMER	PART NO.: A1009AFV-**-C2MB1-R
X. ±0.50	X. ±5'	APPD: WangFeng	DWG NO.: JKUN-GCKH-0879
X.X ±0.30	X.X ±2'	CHKD: Shaojinghe	SCALE 1 : 1
X.XX ±0.20	X.XX ±1'	DR: Zenglingqing	SHEET 1 / 1
UNITS: mm			

REV	DESCRIPTION	DESIGN	DATE
A0	NEW RELEASE	Lingqing	2020/07/11

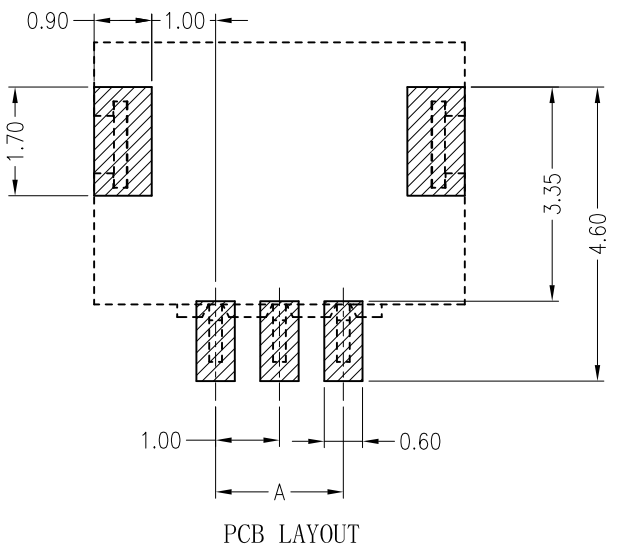


Specifications:

- Contact resistance: $\leq 20m\Omega$
- Insulation resistance: $\geq 100M\Omega$
- Rated voltage: 50V AC DC
- Rated current: 1.0A AC DC
- Withstand Voltage: 500V AC/minute
- Temperature Range: $-25^{\circ}C \sim +85^{\circ}C$
- Housing: PA6T UL94V-0, Natural (Beige)
- Contacts: Phosphor bronze / Matte Sn
- Solder Tabs: Phosphor bronze / Matte Sn



Circuits	Dimensions (mm)				Circuits	Dimensions (mm)			
	A	B	C	D		A	B	C	D
02	1.00	4.80	3.10	2.50	*17	16.00	19.80	18.10	17.50
03	2.00	5.80	4.10	3.50	*18	17.00	20.80	19.10	18.50
04	3.00	6.80	5.10	4.50	*19	18.00	21.80	20.10	19.50
05	4.00	7.80	6.10	5.50	*20	19.00	22.80	21.10	20.50
06	5.00	8.80	7.10	6.50	*21	20.00	23.80	22.10	21.50
07	6.00	9.80	8.10	7.50	*22	21.00	24.80	23.10	22.50
08	7.00	10.80	9.10	8.50	*23	22.00	25.80	24.10	23.50
*09	8.00	11.80	10.10	9.50	*24	23.00	26.80	25.10	24.50
*10	9.00	12.80	11.10	10.50	*25	24.00	27.80	26.10	25.50
*11	10.00	13.80	12.10	11.50	*26	25.00	28.80	27.10	26.50
*12	11.00	14.80	13.10	12.50	*27	26.00	29.80	28.10	27.50
*13	12.00	15.80	14.10	13.50	*28	27.00	30.80	29.10	28.50
*14	13.00	16.80	15.10	14.50	*29	28.00	31.80	30.10	29.50
*15	14.00	17.80	16.10	15.50	*30	29.00	32.80	31.10	30.50
*16	15.00	18.80	17.10	16.50					



ORDER INFORMATION:

A1009AWR-**-C2MB1-R

PART No. _____ PACKAGING: R=REEL

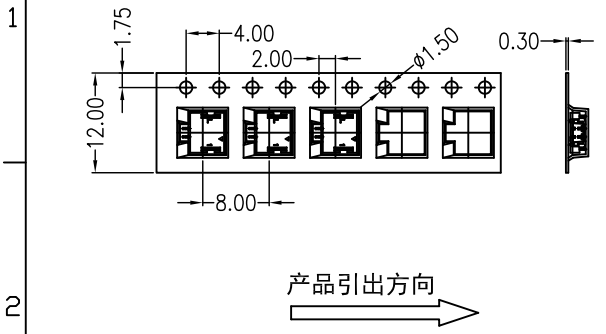
No.OF CIRCUITS: _____ Metal code: 1=Phosphor Bronze

PLASTIC MATERIAL: _____ PLATING: B=Matte Sn

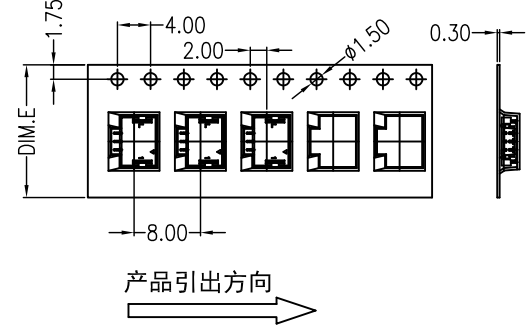
C2M=PA6T(BEIGE)

JKUN 温州健坤接插件有限公司 WENZHOU JKUN CONNECTOR CO.,LTD.		TITLE: 1.0 Pitch Wafer 90° SMT	
GENERAL TOLERANCE		USE: CUSTOMER	PART NO.:
X. ±0.50	X. ±5'	APPD: WangFeng	A1009AWR-**-C2MB1-R
X.X ±0.30	X.X ±2'	CHKD: Shaojinghe	DWG NO.:
X.XX ±0.20	X.XX ±1'	DR: Zenglingqing	JKUN-GCKH-0866
UNITS: mm		SCALE: 1 : 1	SHEET: 1 / 1

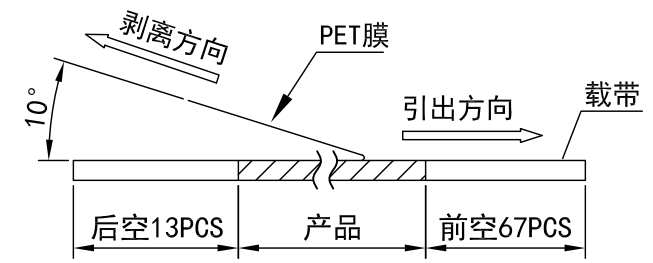
REV	ECN No.	DESCRIPTION	DESIGN	DATE
A		Release	蒋建银	2020.11.17



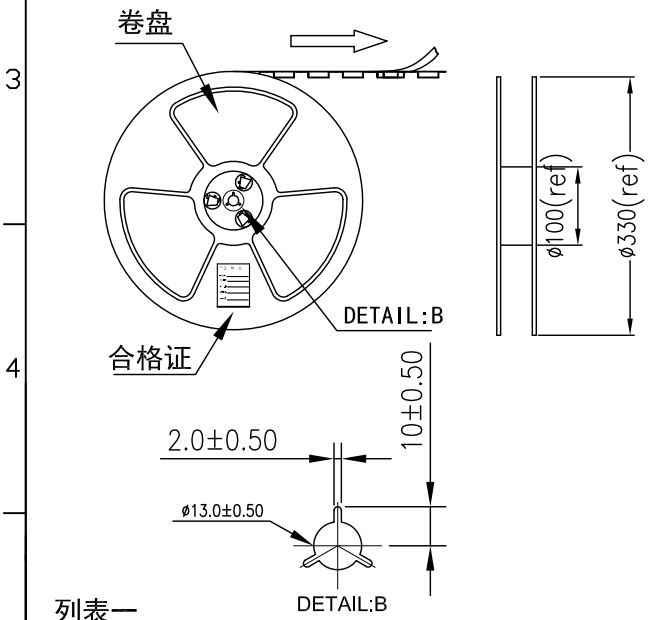
产品引出方向
02 CONTACTS



产品引出方向
03~12 CONTACTS

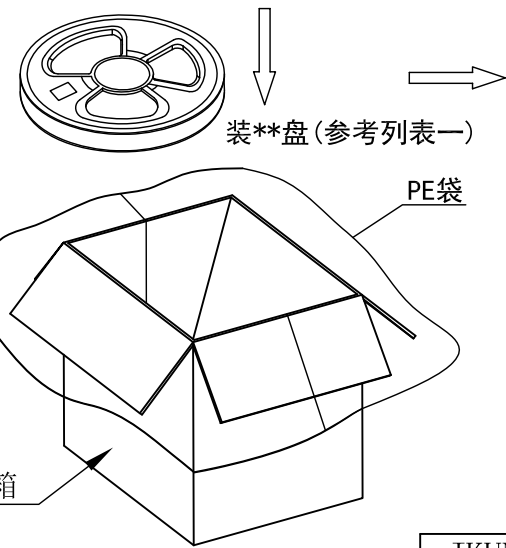


(PET膜剥离示意图)

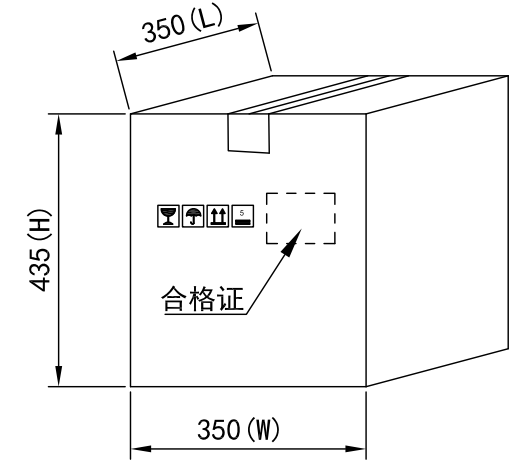


列表一

Circuits	DIM. D	DIM. E	Q'ty/Reel	Packing (Reel/Caton)
02PIN	-	12	4000PCS	25/Reel
03~06PIN	-	16	4000PCS	20/Reel
10~12PIN	-	24	4000PCS	15/Reel



- 包装说明:
- 把成品包入卷盘中, 每盘装4000PCS, 卷盘上贴上合格证, 将装好产品的卷盘放进外箱中, 外箱内先套一个大PE袋, 外箱上贴贴上合格证.
 - 所有材料有害物控制需符合RoHS标准.



JKUN 温州健坤接插件有限公司 WENZHOU JKUN CONNECTOR CO., LTD.			TITLE:	
X.± 0.5	X.±*	USE:	PART NO.:	
.X± 0.3	.X±*	CUSTOMER	A1009AWR-** 卷装规范	
.XX±0.25	.XX±*	APPD: 王锋	DWG NO.:	
--	--	CHKD: 曾令青	JKUN/GCBZ-0866	
⊕	◁	UNITS: mm	DR: 蒋建银	SCALE
				1 : 1
				SHEET
				1 / 1