

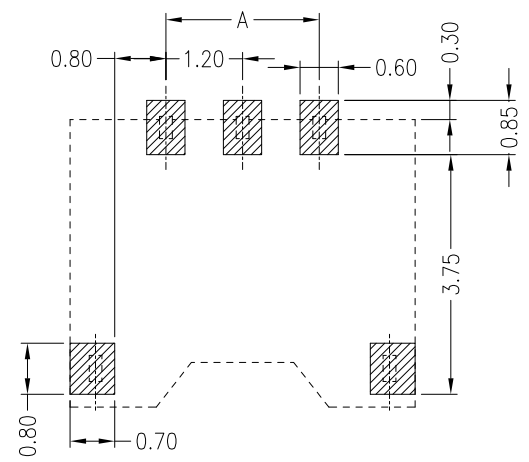
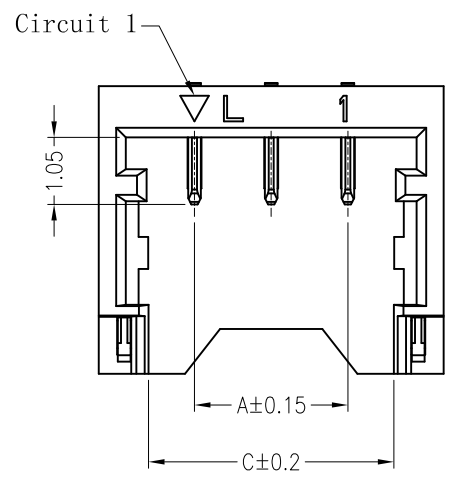
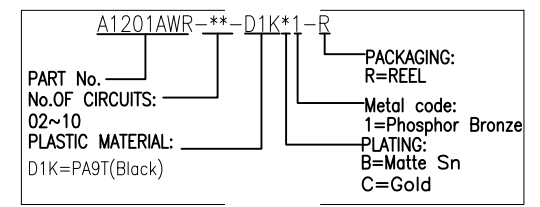
REV	DESCRIPTION	DESIGN	DATE
A	NEW RELEASE	Lingqing	2020/06/22

Specifications:

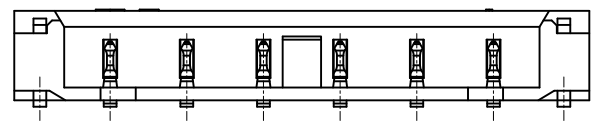
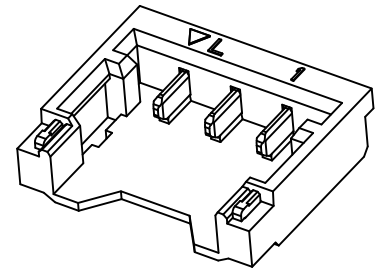
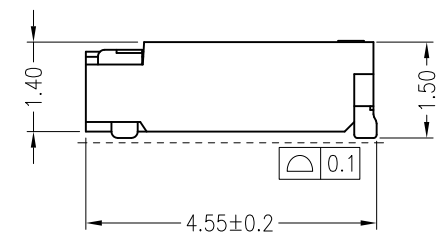
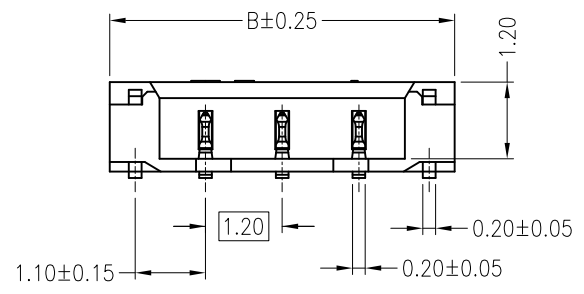
Poles:02~10
 Contact resistance:≤20mΩ
 Insulation resistance:≥100MΩ
 Rated voltage:50V AC DC
 Rated current:2.0A AC DC
 Withstand Voltage: 500V AC/minute
 Temperature Range:-25°C~ +85°C
 Housing:PA9T UL94V-0, Black
 Contacts: Phosphor Bronze Matte Sn/Gold
 Solder Tabs:Brass Matte Sn

Circuits	Dimensions(mm)		
	A	B	C
02	1.20	4.20	2.64
03	2.40	5.40	3.84
04	3.60	6.60	5.04
05	4.80	7.80	6.24
06	6.00	9.00	7.44
07	7.20	10.20	8.64
*08	8.40	11.40	9.84
*09	9.60	12.60	11.04
*10	10.80	13.80	12.24

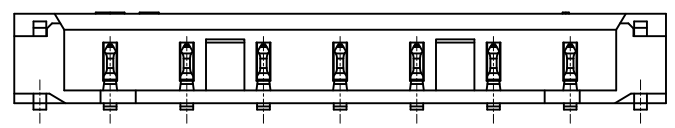
ORDER INFORMATION:



SUGGESTED PCB LAYOUT



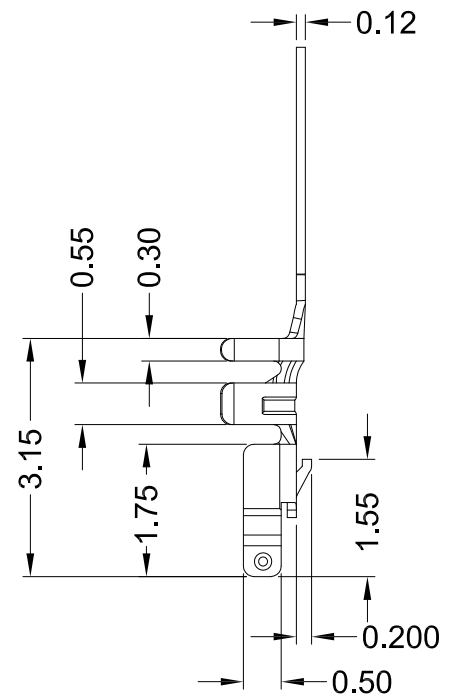
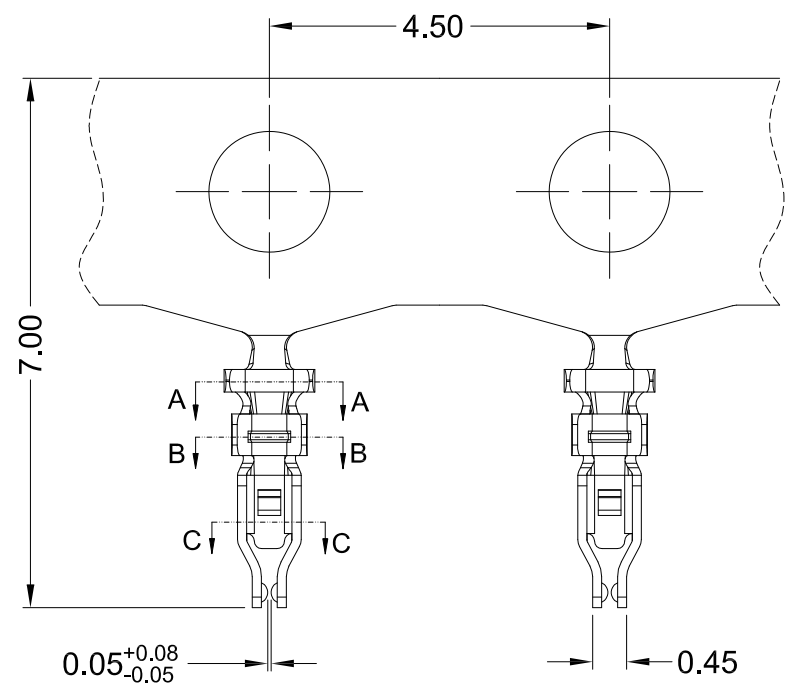
6P With Sticking Point



7P~10P With Sticking Point

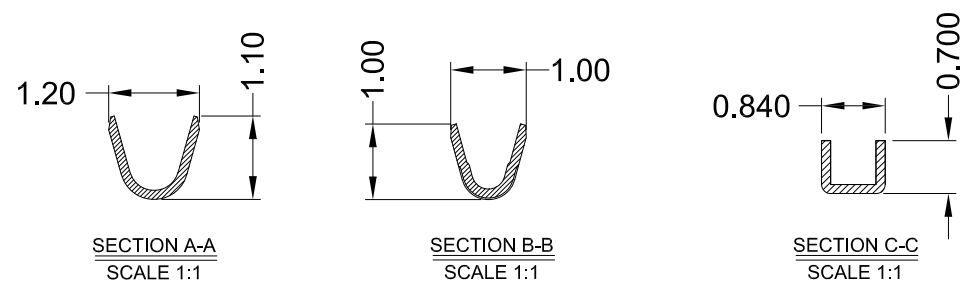
JKUN 温州健坤接插件有限公司 WENZHOU JKUN CONNECTOR CO.,LTD.		TITLE: 1.20 Pitch Wafer 90° SMT	
GENERAL TOLERANCE		USE: CUSTOMER	PART NO.:
X. ±0.50	X. ±5°	APPD: WangFeng	A1201AWR-**-D1K*1-R
X.X ±0.30	X.X ±2°	CHKD: Shaojinghe	DWG NO.:
X.XX ±0.20	X.XX ±1°	DR: Zenglingqing	JKUN-GCKH-0864
UNITS: mm		SCALE 1 : 1	SHEET 1 / 1

REV	DESCRIPTION	DESIGN	DATE
A	NEW RELEASE	蒋建银	2020/06/25



Specifications:

- Contact resistance: $\leq 20\text{m}\Omega$
- Insulation resistance: $\geq 100\text{M}\Omega$
- Rated voltage: 50V AC DC
- Rated current: 2.0A AC DC
- Withstand Voltage: 500V AC/minute
- Temperature Range: $-25^{\circ}\text{C} \sim +85^{\circ}\text{C}$

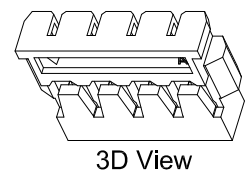
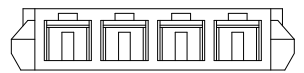
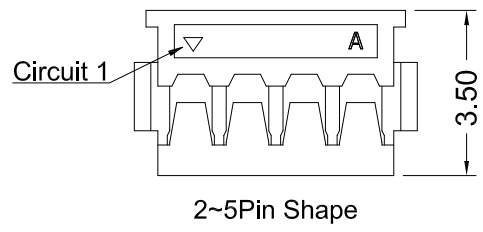


Ordering Information & Specification:

Part No	Wire Range	Insulation O.D.	Material	Finish	Qty/Reel
A1201T-02端子	AWG #28~#30	0.70mm(MAX)	Phosphor bronze	Gold Flash	/

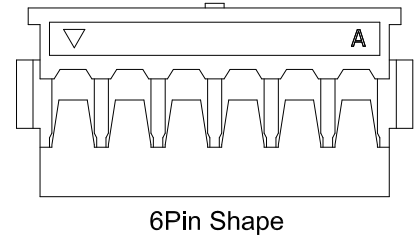
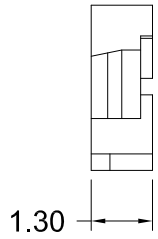
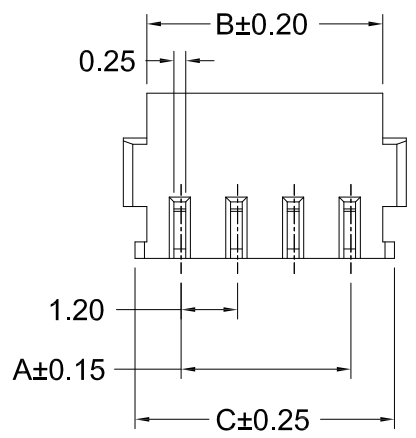
JKUN 温州健坤接插件有限公司 WENZHOU JKUN CONNECTOR CO.,LTD.			TITLE: 1.2mm Terminal		
GENERAL TOLERANCE		USE:	PART NO.:		
X. ± 0.50	X. $\pm 5^{\circ}$	CUSTOMER	A1201T-02端子		
X.X ± 0.30	X.X $\pm 2^{\circ}$	APPD: 王锋	DWG NO.:		
X.XX ± 0.20	X.XX $\pm 1^{\circ}$	CHKD: 曾令青	JKUN-GCDZ-0092		
UNITS: mm		DR: 蒋建银	SCALE 1 : 1	SHEET 1 / 1	

REV	DESCRIPTION	DESIGN	DATE
A	NEW RELEASE	蒋建银	2020/06/25

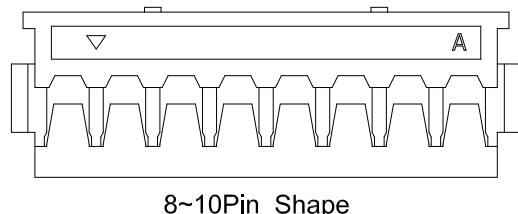
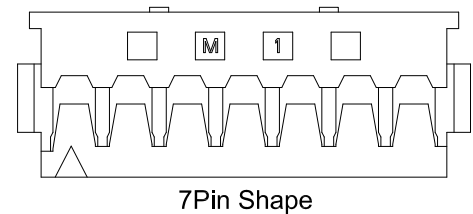
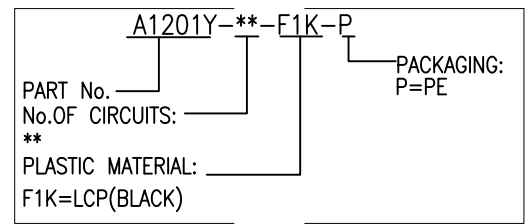


Poles	Dimensions(mm)		
	A	B	C
2	1.20	2.60	3.10
3	2.40	3.80	4.30
4	3.60	5.00	5.50
5	4.80	6.20	6.70
6	6.00	7.40	7.90
7	7.20	8.60	9.10
8	8.40	9.80	10.30
9	9.60	11.00	11.50
10	10.80	12.20	12.70

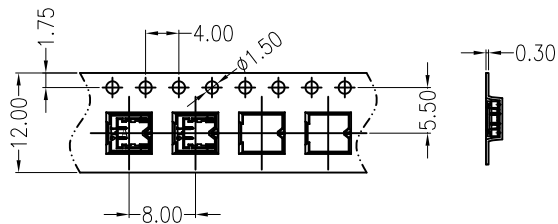
Specifications:
 Contact resistance: $\leq 20m\Omega$
 Insulation resistance: $\geq 100M\Omega$
 Rated voltage: 50V AC DC
 Rated current: 2.0A AC DC
 Withstand Voltage: 500V AC/minute
 Temperature Range: $-25^{\circ}C \sim +85^{\circ}C$
 Housing: LCP UL94V-0, Black



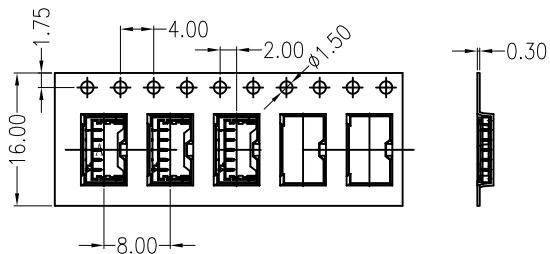
ORDER INFORMATION:



JKUN 温州健坤接插件有限公司 WENZHOU JKUN CONNECTOR CO.,LTD.		TITLE: 1.2mm housing	
GENERAL TOLERANCE		USE: CUSTOMER	PART NO.:
X. ±0.50	X. ±5°	APPD: 王锋	A1201Y-**-F1K-P
X.X ±0.30	X.X ±2°	CHKD: 曾令青	DWG NO.:
X.XX ±0.20	X.XX ±1°	DR: 蒋建银	JKUN-GCKH-0903
UNITS: mm		SCALE 1 : 1	SHEET 1 / 1

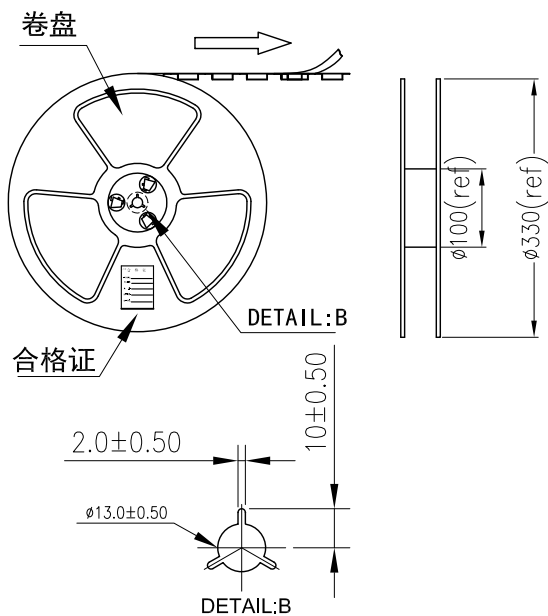
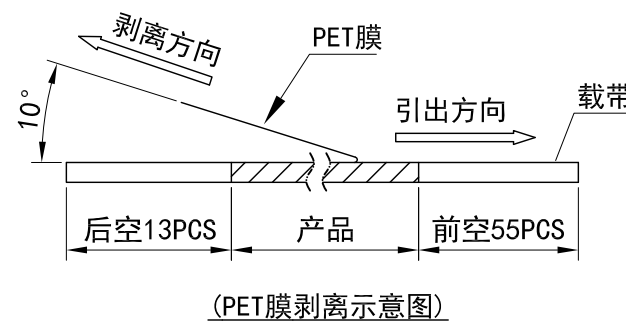


产品引出方向
02~03 CONTACTS



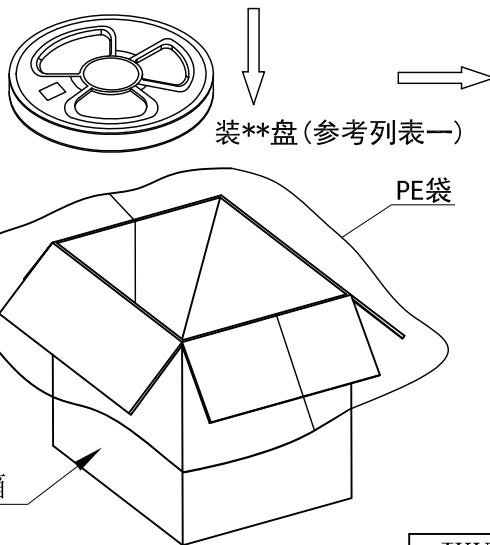
产品引出方向
04~05 CONTACTS

REV	ECN No.	DESCRIPTION	DESIGN	DATE
A		Release	蒋建银	2020.09.10

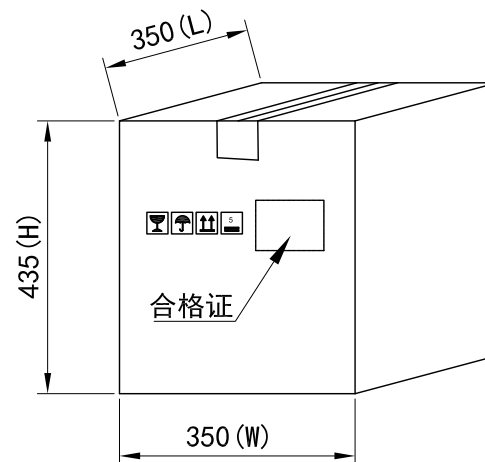


列表一

Circuits	DIM. D	DIM. E	Q'ty/Reel	Packing (Reel/Caton)
02~03PIN	-	12	4000PCS	25/Reel
04~05PIN	-	16	4000PCS	20/Reel



- 包装说明:
- 把成品包入卷盘中, 每盘装4000PCS, 卷盘上贴上合格证, 将装好产品的卷盘放进外箱中, 外箱内先套一个大PE袋, 外箱上贴贴上合格证.
 - 所有材料有害物控制需符合RoHS标准.



JKUN 温州健坤接插件有限公司 WENZHOU JKUN CONNECTOR CO., LTD.			TITLE:	
X.± 0.5	X.±'	USE:	CUSTOMER	
.X± 0.3	.X±'	APPD:	王锋	
.XX±0.25	.XX±'	CHKD:	曾令青	
--	--	DR:	蒋建银	
UNITS: mm		SCALE		SHEET
		1 : 1		1 / 1
			PART NO.: A1201AWR-** 卷装规范	
			DWG NO.: JKUN/GCBZ-0864	