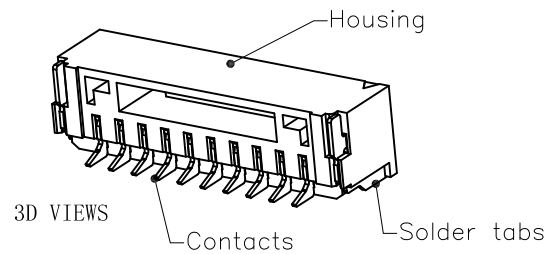
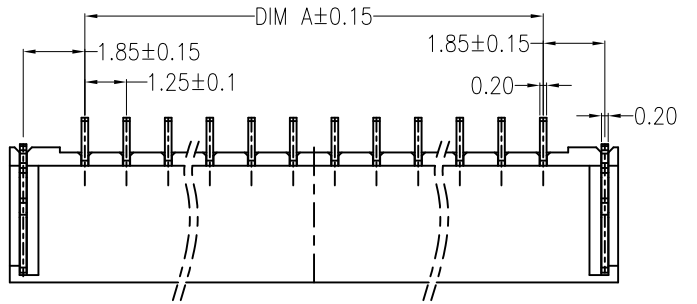
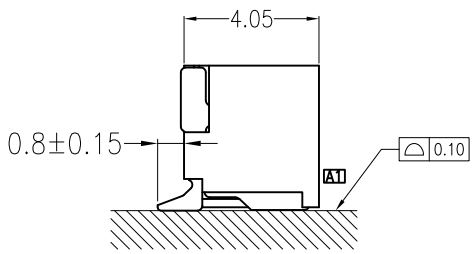
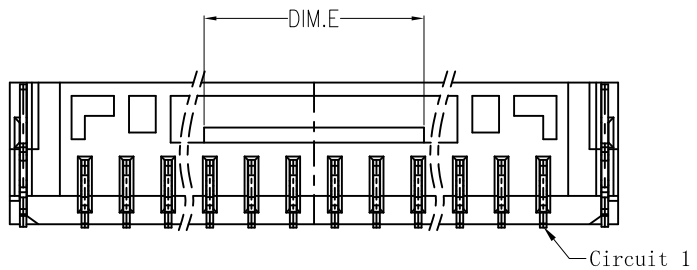
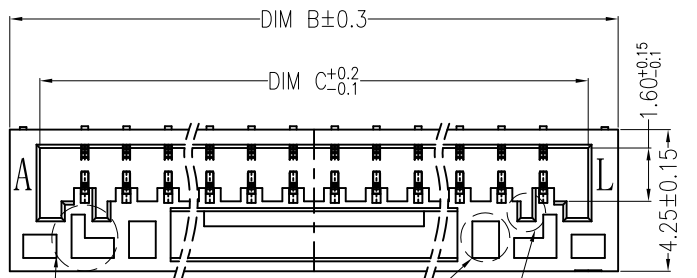


REV	DESCRIPTION	DESIGN	DATE
A0	NEW RELEASE	Wudanping	2015/10/18
A1	Improve the scraping gum	Jiangjiayin	2018/12/30

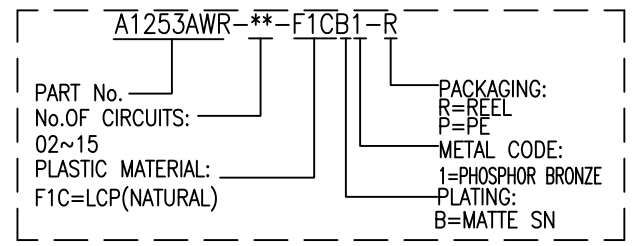


Specifications:

- Contact resistance: ≤20mΩ
- Insulation resistance: ≥100MΩ
- Rated voltage: 50V AC DC
- Rated current: 1.0A AC DC
- Withstand voltage: 500V AC/minute
- Temperature range: -40°C ~ +110°C
- Housing: LCP UL94V-0, Natural
- Contacts: Phosphor bronze/Matte Sn
- Solder tabs: Phosphor bronze/Matte Sn

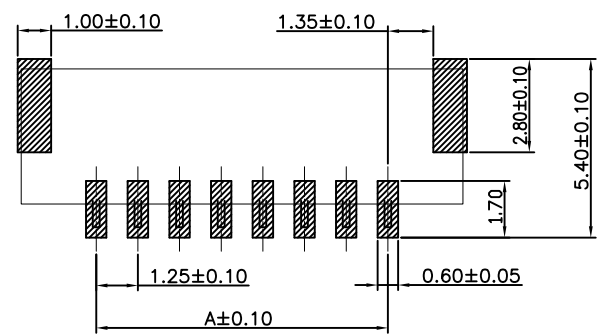


ORDER INFORMATION:



2~6P无此左、右结构 2~11P无此左、右结构 2~7P无此左、右结构

孔位	尺寸	DIM A	DIM B	DIM C	DIM E
2P		1.25	5.75	3.75	0.75
3P		2.50	7.00	5.00	1.60
4P		3.75	8.25	6.25	2.65
5P		5.00	9.50	7.50	2.50
6P		6.25	10.75	8.75	4.65
7P		7.50	12.00	10.00	4.65
8P		8.75	13.25	11.25	4.65
9P		10.00	14.50	12.50	4.65
10P		11.25	15.75	13.75	6.60
11P		12.50	17.00	15.00	6.60
12P		13.75	18.25	16.25	6.60
13P		15.00	19.50	17.50	6.60
14P		16.25	20.75	18.75	6.60
15P		17.50	22.00	20.00	6.60



SUGGESTED PCB LAYOUT

JKUN 温州健坤接插件有限公司
WENZHOU JKUN CONNECTOR CO.,LTD.

TITLE:
1.25mm PITCH 90° WAFER SMT TYPE

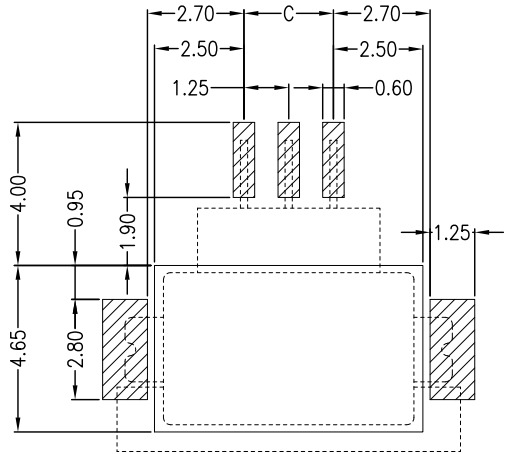
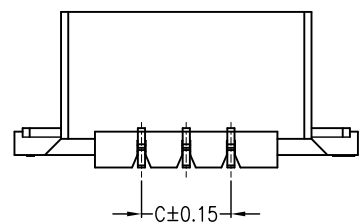
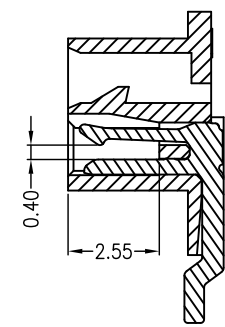
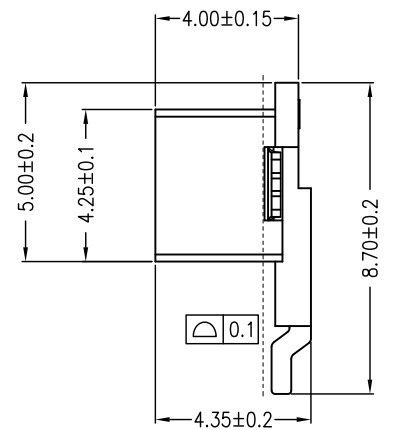
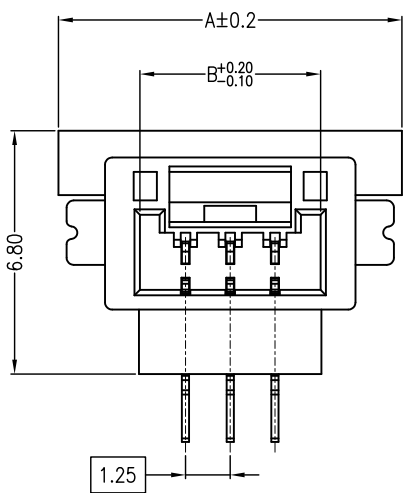
GENERAL TOLERANCE		USE:
X. ±0.50	X. ±5'	CUSTOMER
X.X ±0.30	X.X ±2'	APPD: Shaojinghe
X.XX ±0.20	X.XX ±1'	CHKD: Zenglingqing
⊕	∠	DR: Jiangjiayin
UNITS: mm		

PART NO.:	
A1253AWR-**-F1CB1-R	
DWG NO.:	
JKUN/GCKH-0513	
SCALE	SHEET
1 : 1	1 / 1

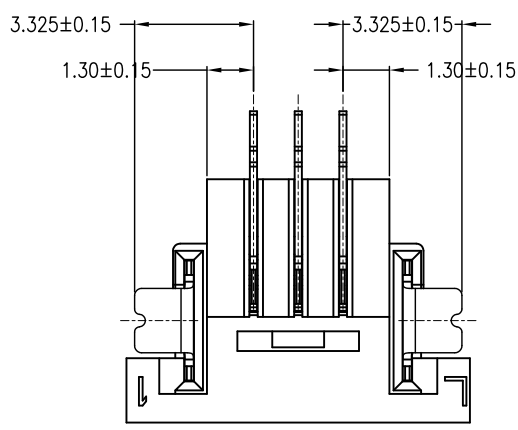
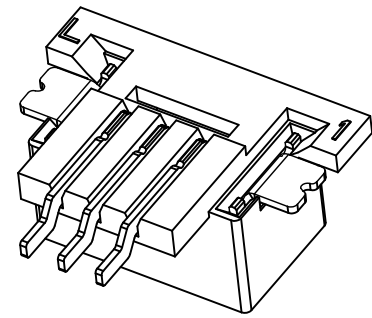
REV	DESCRIPTION	DESIGN	DATE
A	NEW RELEASE	Lingqing	2020/06/06

Specifications:
Poles: 02~15
Contact resistance: $\leq 20m\Omega$
Insulation resistance: $\geq 100M\Omega$
Rated voltage: 50V AC DC
Rated current: 1.0A AC DC
Withstand Voltage: 500V AC/minute
Temperature Range: $-25^{\circ}C \sim +85^{\circ}C$
Housing: LCP UL94V-0, Natural (Beige)
Contacts: Phosphor Bronze Sn-plated
Solder Tabs: Phosphor Bronze Sn-plated

Circuits	Dimensions (mm)		
	A	B	C
02	8.35	3.80	1.25
03	9.60	5.05	2.50
04	10.85	6.30	3.75
05	12.10	7.55	5.00
06	13.35	8.80	6.25
07	14.60	10.05	7.50
08	15.85	11.30	8.75
09	17.10	12.55	10.00
10	18.35	13.80	11.25
11	19.60	15.05	12.50
12	20.85	16.30	13.75
13	22.10	17.55	15.00
14	23.35	18.80	16.25
15	24.60	20.05	17.50



SUGGESTED PCB LAYOUT



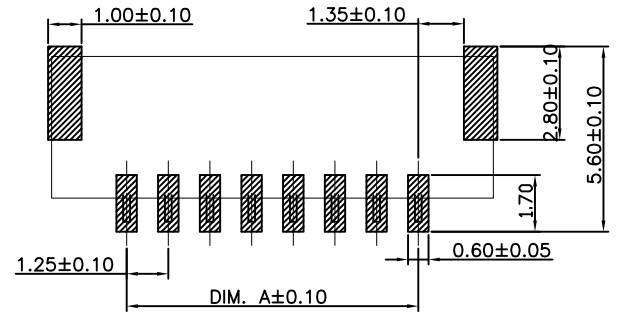
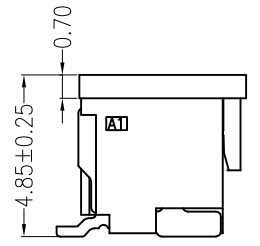
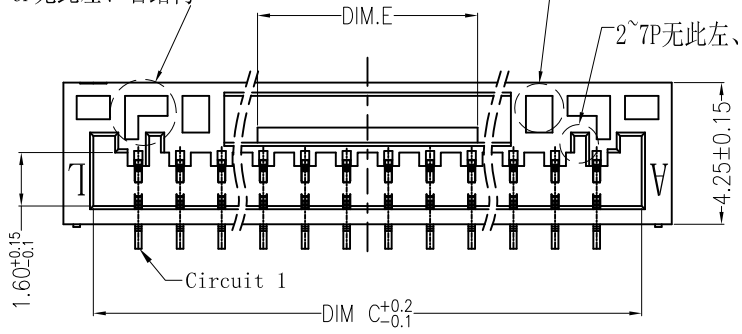
ORDER INFORMATION:

A1253FW-**-F3MA1-R
PART No. _____
No. OF CIRCUITS: 02~15
PLASTIC MATERIAL: F3M=LCP(BEIGE)
PACKAGING: R=REEL
Metal code: 1=Phosphor Bronze
PLATING: A=Sn-plated

JKUN 温州健坤接插件有限公司 WENZHOU JKUN CONNECTOR CO.,LTD.		TITLE: 1.25mm pitch 180° WAFER-SMT TYPE	
GENERAL TOLERANCE		PART NO.: A1253FW-**-F3MA1-R	
X. ±0.50	X. ±5°	DWG NO.: JKUN-GCKH-0874	
X.X ±0.30	X.X ±2°	SCALE 1 : 1	
X.XX ±0.20	X.XX ±1°	SHEET 1 / 1	
UNITS: mm		DR: Zenglingqing	

REV	DESCRIPTION	DESIGN	DATE
A0	NEW RELEASE	Wudanping	2015/10/18
A1	Improve the scraping gum	Jiangjianyin	2018/12/30
B	Change the cover	Zenglingqing	2020/03/26

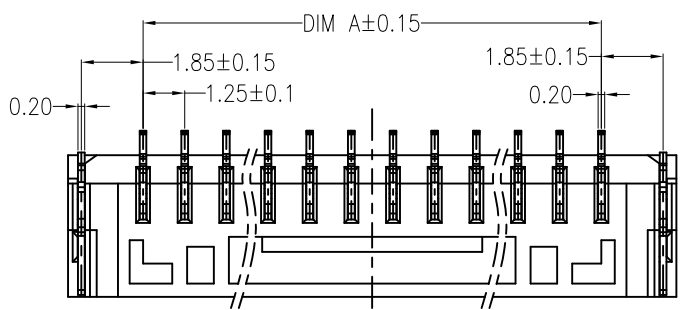
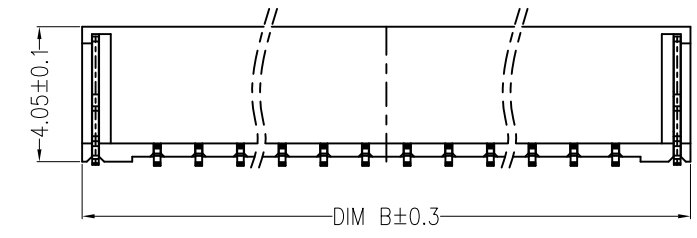
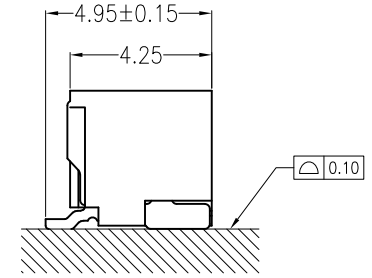
2~6P无此左、右结构
2~11P无此左、右结构
2~7P无此左、右结构



SUGGESTED PCB LAYOUT

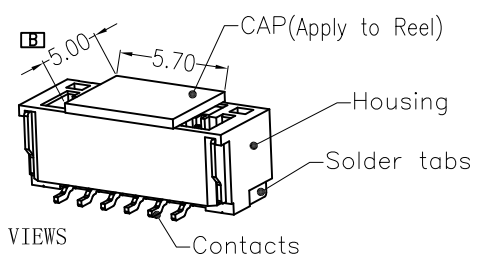
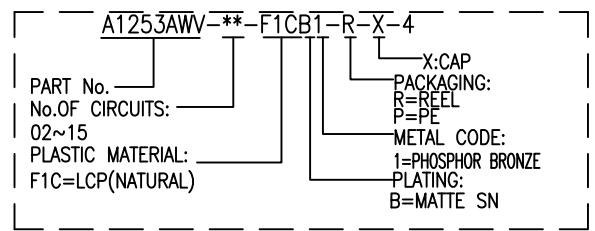
Specifications:

- Contact resistance: $\leq 20m\Omega$
- Insulation resistance: $\geq 100M\Omega$
- Rated voltage: 50V AC DC
- Rated current: 1.0A AC DC
- Withstand voltage: 500V AC/minute
- Temperature range: $-40^{\circ}C \sim +110^{\circ}C$
- Housing: LCP UL94V-0, Natural
- CAP: LCP UL94V-0, Natural
- Contacts: Phosphor bronze/Matte Sn
- Solder tabs: Phosphor bronze/Matte Sn



尺寸	DIM A	DIM B	DIM C	DIM E
2P	1.25	5.75	3.75	0.75
3P	2.50	7.00	5.00	1.60
4P	3.75	8.25	6.25	2.65
5P	5.00	9.50	7.50	2.50
6P	6.25	10.75	8.75	4.65
7P	7.50	12.00	10.00	4.65
8P	8.75	13.25	11.25	4.65
9P	10.00	14.50	12.50	4.65
10P	11.25	15.75	13.75	6.60
11P	12.50	17.00	15.00	6.60
12P	13.75	18.25	16.25	6.60
13P	15.00	19.50	17.50	6.60
14P	16.25	20.75	18.75	6.60
15P	17.50	22.00	20.00	6.60

ORDER INFORMATION:



JKUN 温州健坤接插件有限公司
WENZHOU JKUN CONNECTOR CO.,LTD.

TITLE:
1.25mm PITCH 180° WAFER SMT TYPE

GENERAL TOLERANCE	
X. ± 0.50	X. $\pm 5^{\circ}$
X.X ± 0.30	X.X $\pm 2^{\circ}$
X.XX ± 0.20	X.XX $\pm 1^{\circ}$

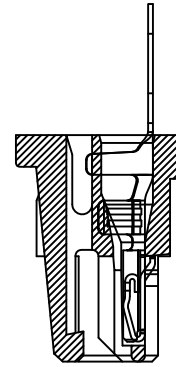
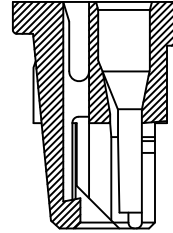
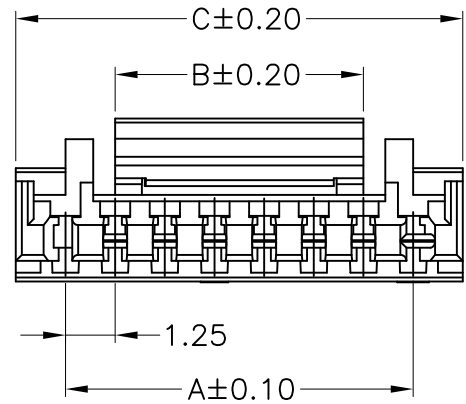
USE:	CUSTOMER
APPD:	Shaojinghe
CHKD:	Zenglingqing
DR:	Jiangjianyin

PART NO.:	
A1253AWV-**-F1CB1-R-X-4	
DWG NO.:	
JKUN/GCKH-0514	
SCALE	SHEET
1 : 1	1 / 1

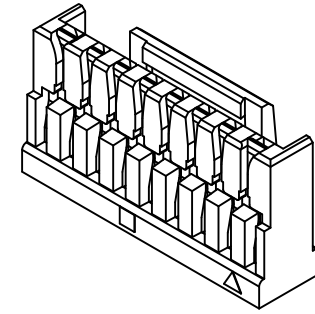


UNITS:
mm

REV	ECN No.	DESCRIPTION	DESIGN	DATE
A	-	NEW RELEASE	吴丹平	2017.10.12



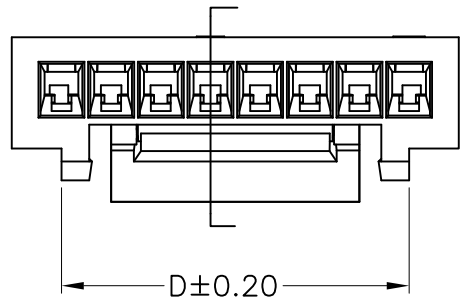
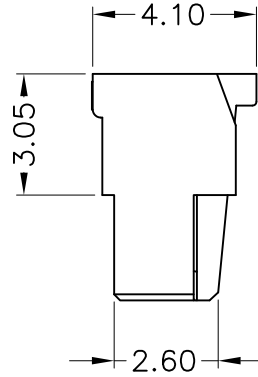
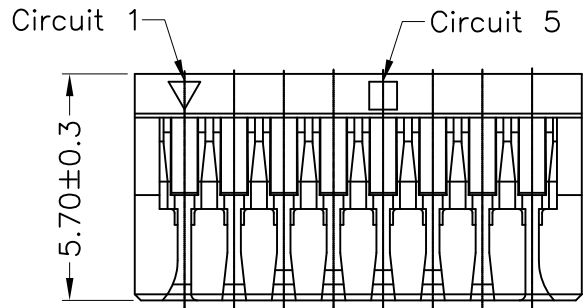
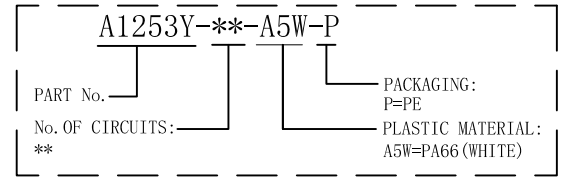
插线状态



主要技术参数 Main Specifications

线 数 (Poles): 02 to 16
 接触电阻 (Contact resistance): $\leq 20m\Omega$
 绝缘电阻 (Insulation resistance): $\geq 100M\Omega$
 额定电压 (Rated voltage): 125 V AC DC
 额定电流 (Rated current): 1.0A AC DC
 耐 电压 (Withstand Voltage): 500V AC/minute
 温度范围 (Temperature Range): $-25^{\circ}C \sim +85^{\circ}C$

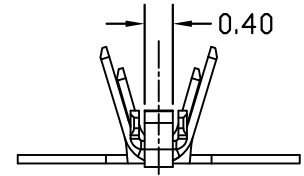
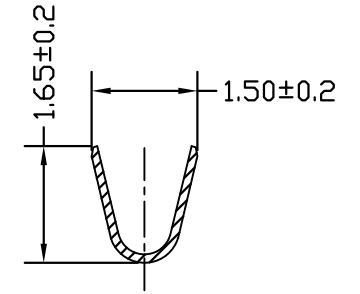
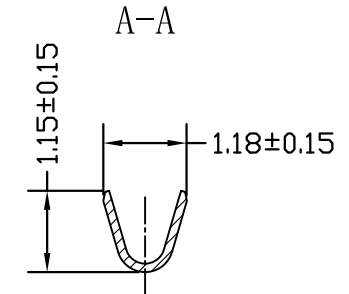
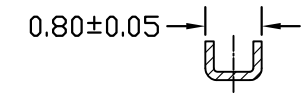
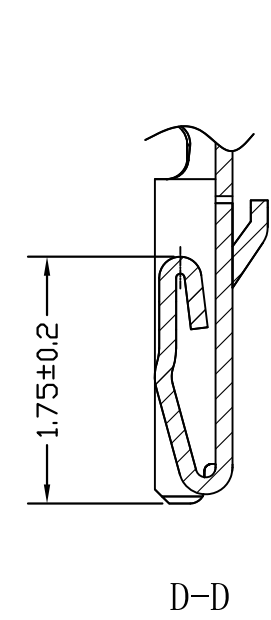
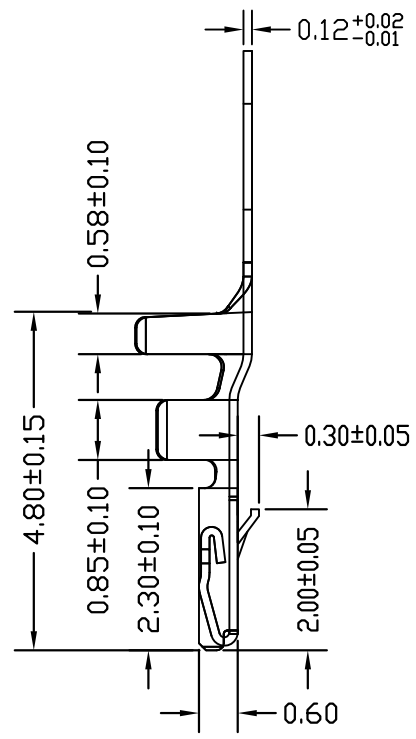
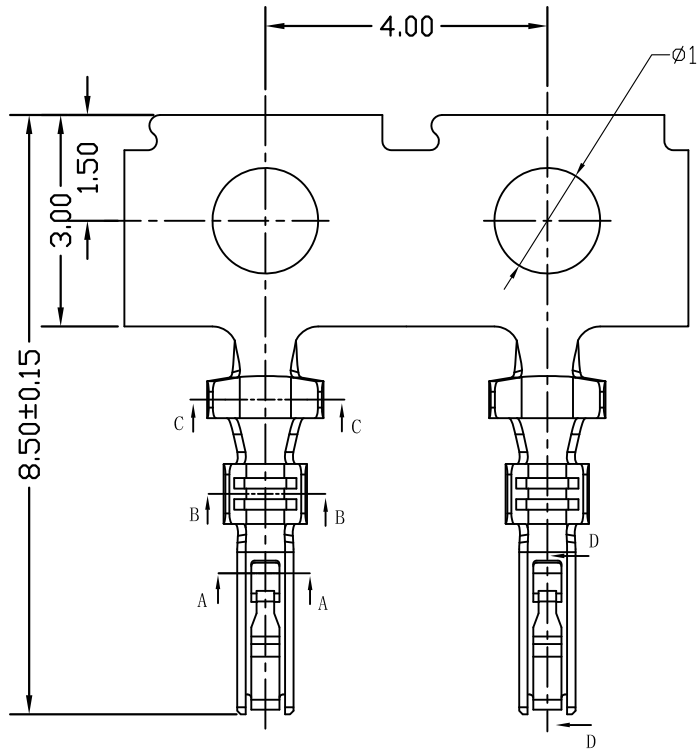
ORDER INFORMATION:



Circuits	Dimensions (mm)			
	DIM. A	DIM. B	DIM. C	DIM. D
02	1.25	2.20	3.75	
03	2.50	2.90	5.00	
04	3.75	4.20	6.25	
05	5.00	4.20	7.50	
06	6.25	6.25	8.75	
07	7.50	6.25	10.00	8.70
08	8.75	6.25	11.25	8.70
09	10.00	6.25	12.50	8.70
10	11.25	8.20	13.75	10.70
11	12.50	8.20	15.00	10.70
12	13.75	8.20	16.25	10.70
13	15.00	8.20	17.50	10.70
14	16.25	8.20	18.75	10.70
15	17.50	8.20	20.00	10.70

ITEM	COMPONENT	Q'TY	MATERIAL	FINISH
C				
B				
A	HOUSING	2~16 PCS	PA66	COLOR:WHITE
JKUN 温州健坤接插件有限公司 WENZHOU JKUN CONNECTOR CO.,LTD.				TITLE: A1253Y 1.25mmPITCH Housing
.X±0.35	X.±	USE:	CUSTOMER	
.XX±0.25	.X±	APPD:	邵敬和	
.XXX±0.15	.XX±	CHKD:	田峰	
--	--	DR:	吴丹平	
UNITS: mm				SCALE: 1 : 1
				SHEET: 1 / 1

REV	ECN No.	DESCRIPTION	DESIGN	DATE
A0		Release	吴丹平	2016.06.28



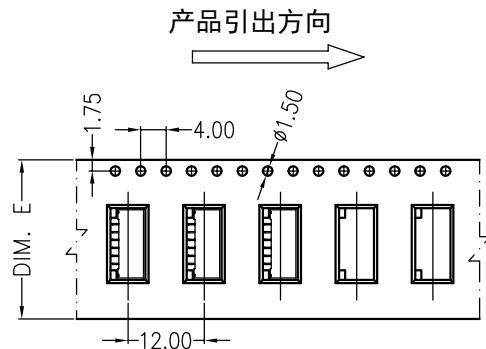
Ordering Information & Specification:

Part No	Wire Range	Insulation O.D.	Material	Finish
A1253T-02端子	AWG #26~#30	1.00mm(max)	Phosphor bronze	Tin-plated

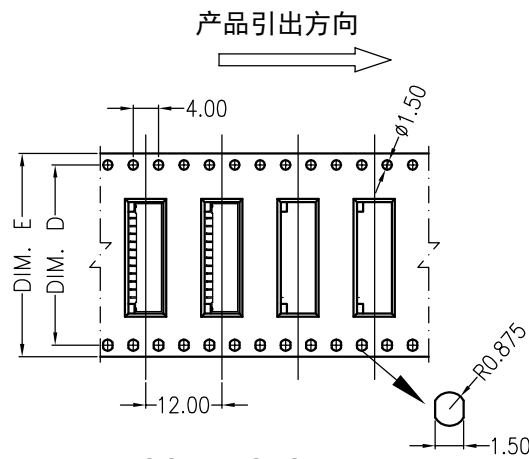
ITEM	COMPONENT	Q'TY	MATERIAL	FINISH
C				
B				
A	CONTACT	1 PCS	Phosphor bronze	Sn-plated

JKUN 温州健坤接插件有限公司 WENZHOU JKUN CONNECTOR CO.,LTD.			TITLE: -	
X.±0.5	X.±5'	USE: CUSTOMER	PART NO.:	
.X±0.3	.X±2'	APPD: 邵敬和	A1253T-02端子	
.XX±0.25	.XX±1'	CHKD: 田峰	DWG NO.:	
--	--	DR: 蒋建银	JKUN-GCDZ-0065	
UNITS: mm		SCALE	SHEET	
		1 : 1	1 / 1	

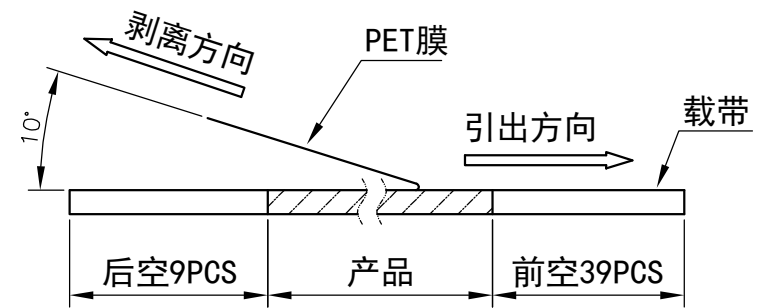
REV	ECN No.	DESCRIPTION	DESIGN	DATE
A		Release	蒋建银	2018.08.15



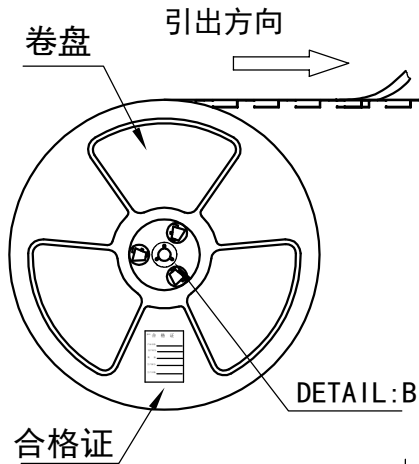
02~10 CONTACTS



11~15 CONTACTS

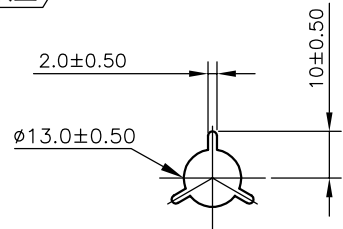


(PET膜剥离示意图)

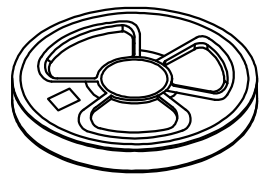


合格证

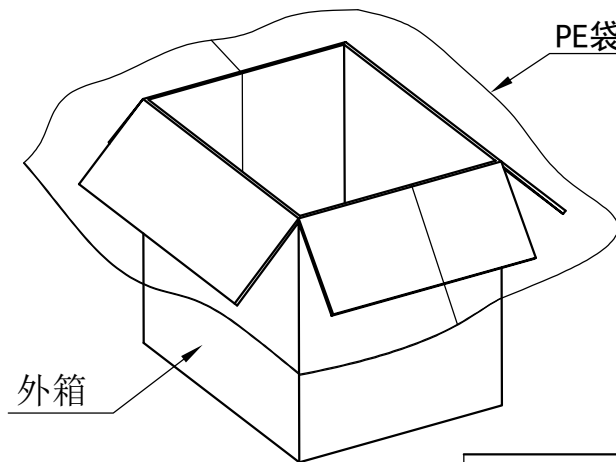
DETAIL:B



DETAIL:B



装*盘(参考列表一)



外箱

PE袋

合格证

列表一

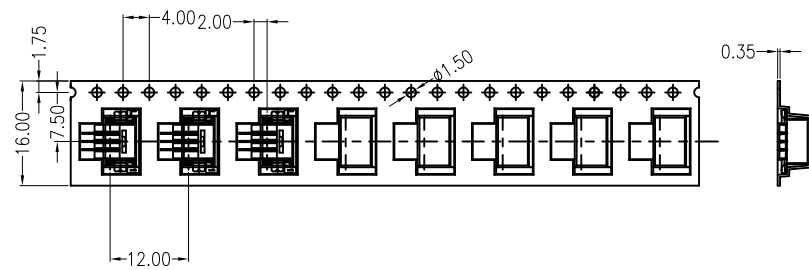
Circuits	DIM. D	DIM. E	Q'ty/Reel	Packing (Reel/Caton)
02-04PIN	-	16	1000PCS	20/Reel
05-10PIN	-	24	1000PCS	15/Reel
11-14PIN	28.4	32	1000PCS	11/Reel
15PIN	40.4	44	1000PCS	8/Reel

包装说明:

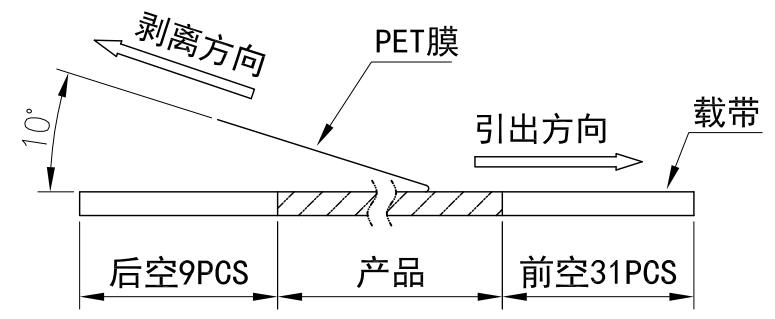
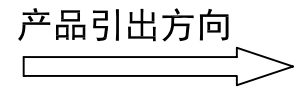
- 把成品包入卷盘中, 每盘装1000PCS, 卷盘上贴上合格证, 将装好产品的卷盘放进外箱中, 外箱内先套一个大PE袋, 外箱上贴贴上合格证。
- 所有材料有害物控制需符合RoHS标准。

JKUN 温州健坤接插件有限公司 WENZHOU JKUN CONNECTOR CO., LTD.			TITLE: A1253AWR 包装规范	
X.± 0.5	X.±*	USE:	MANUFACTURE	
.X± 0.3	.X±*	APPD:	邵敬和	
.XX± 0.25	.XX±*	CHKD:	田峰	
--	--	DR:	蒋建银	
UNITS: mm		PART NO.:		A1253AWR-nP 卷装
DWG NO.:		JKUN/GCBZ-0513		
SCALE 1 : 1		SHEET 1 / 1		

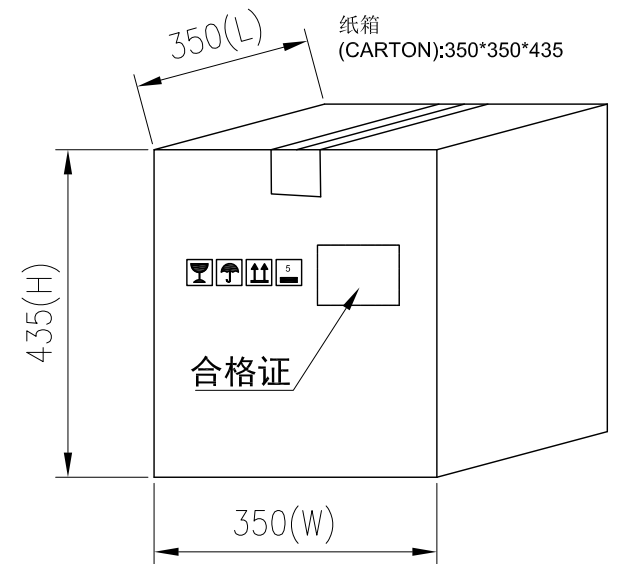
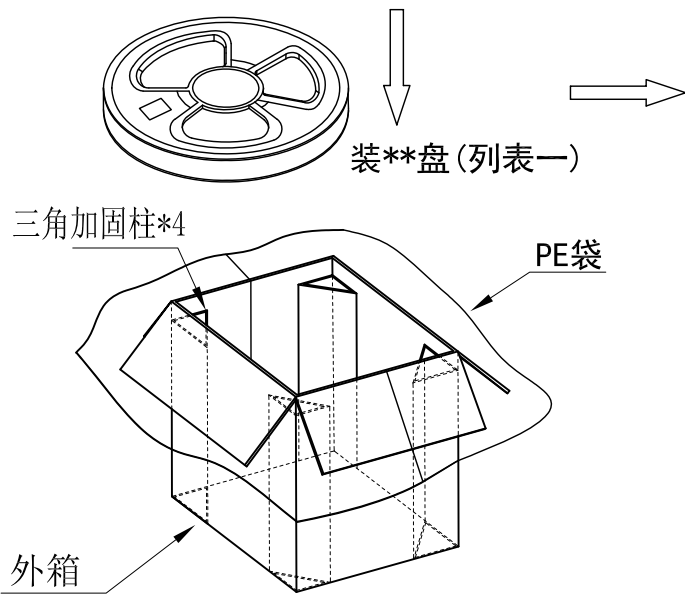
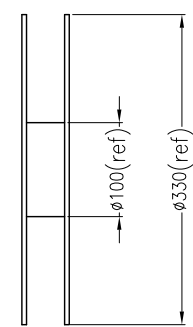
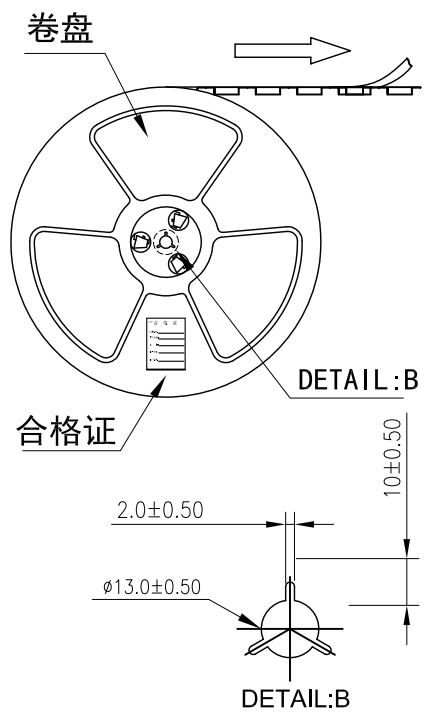
REV	ECN No.	DESCRIPTION	DESIGN	DATE
A		Release	蒋建银	2018.08.22



02~03 CONTACTS



(PET膜剥离示意图)



列表一

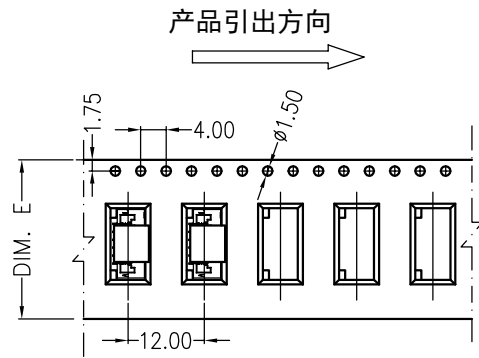
Circuits	DIM. D	DIM. E	Q'ty/Reel	Packing (Reel/Caton)
02~03PIN	7.5	16	1000PCS	20/Reel

包装说明:

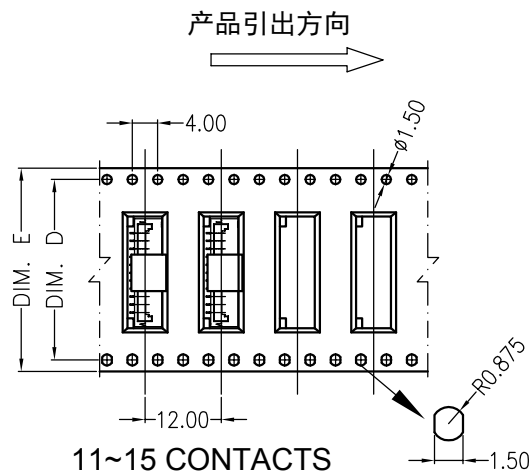
- 把成品包入卷盘中, 每盘装1000PCS, 卷盘上贴上合格证, 将装好产品的卷盘放进外箱中, 外箱内先套一个大PE袋, 外箱上贴贴上合格证.
- 所有材料有害物控制需符合RoHS标准.

JKUN 温州健坤接插件有限公司 WENZHOU JKUN CONNECTOR CO., LTD.			TITLE:	
X.± 0.5	X.±'	USE:	PART NO.:	
.X± 0.3	.X±'	CUSTOMER	A1253FWW 卷装	
.XX±0.25	.XX±'	APPD: 邵敬和	DWG NO.:	
--	--	CHKD: 田峰	JKUN-GCBZ-0874	
UNITS: mm		DR: 蒋建银	SCALE	SHEET
			1 : 1	1 / 1

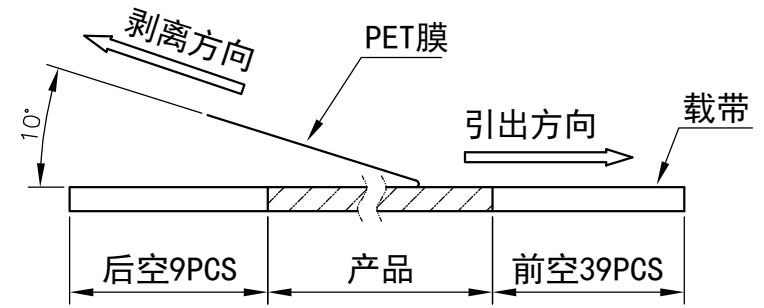
REV	ECN No.	DESCRIPTION	DESIGN	DATE
A		Release	蒋建银	2018.08.15



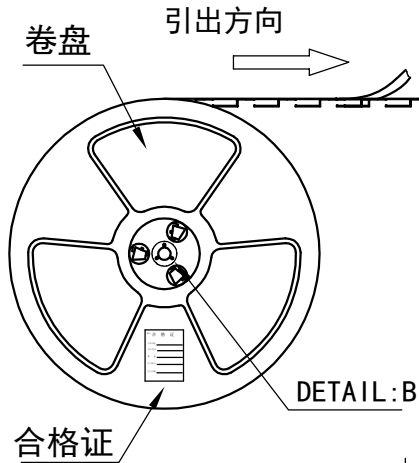
02~10 CONTACTS



11~15 CONTACTS

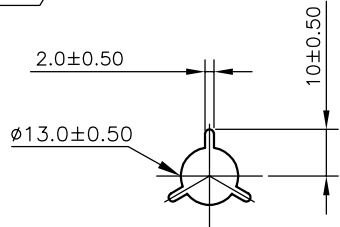


(PET膜剥离示意图)

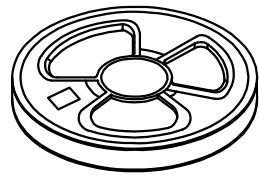


合格证

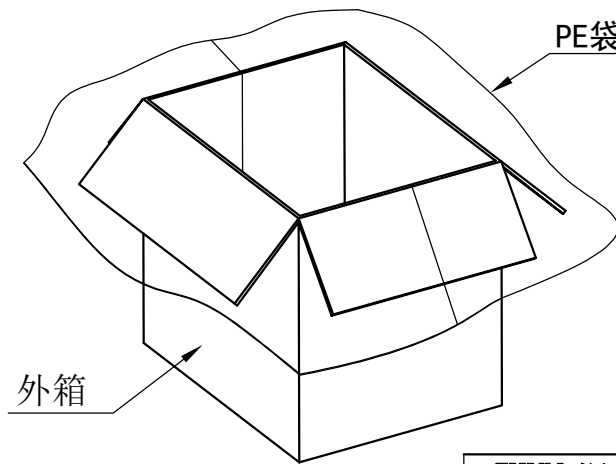
DETAIL: B



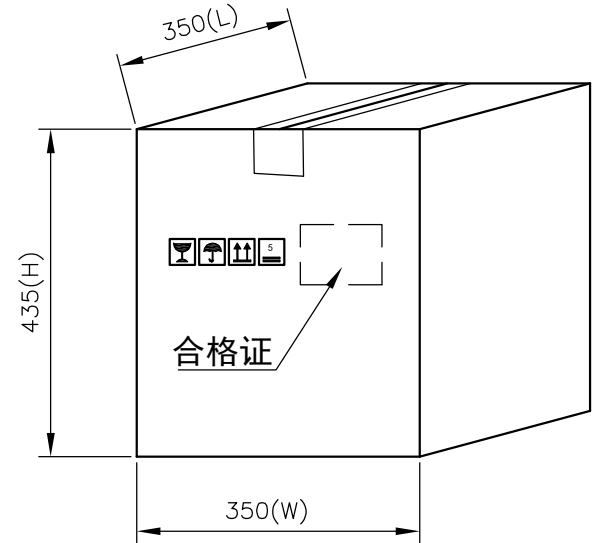
DETAIL: B



装*盘(参考列表一)



外箱



列表一

Circuits	DIM. D	DIM. E	Q'ty/Reel	Packing (Reel/Caton)
02-04PIN	-	16	1000PCS	20/Reel
05-10PIN	-	24	1000PCS	15/Reel
11-14PIN	28.4	32	1000PCS	11/Reel
15PIN	40.4	44	1000PCS	8/Reel

包装说明:

- 把成品包入卷盘中, 每盘装1000PCS, 卷盘上贴上合格证, 将装好产品的卷盘放进外箱中, 外箱内先套一个大PE袋, 外箱上贴贴上合格证。
- 所有材料有害物控制需符合RoHS标准。

JKUN 温州健坤接插件有限公司 WENZHOU JKUN CONNECTOR CO., LTD.			TITLE: A1253AWV 包装规范	
X.± 0.5	X.±*	USE: MANUFACTURE	PART NO.:	
.X± 0.3	.X±*		A1253AWV-nP 卷装	
.XX± 0.25	.XX±*	APPD: 邵敬和	DWG NO.:	
--	--	CHKD: 田峰	JKUN/GCBZ-0514	
UNITS: mm	DR: 蒋建银	SCALE		SHEET
		1 : 1		1 / 1