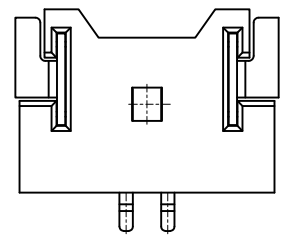
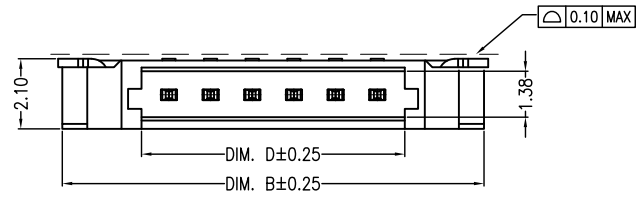
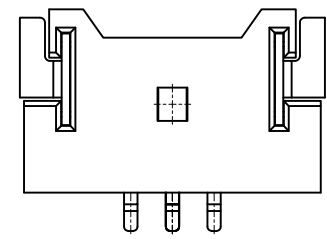


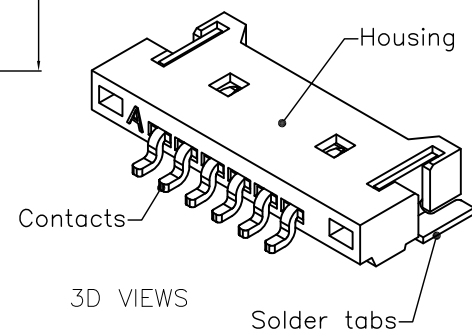
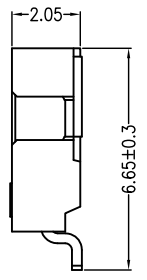
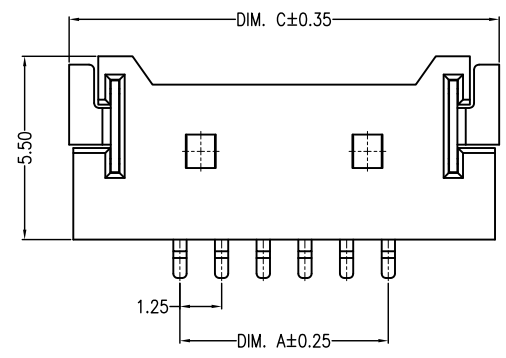
REV	DESCRIPTION	DESIGN	DATE
A0	NEW RELEASE	Zhouxiulong	2017/12/26



A1254AWR-02



A1254AWR-03

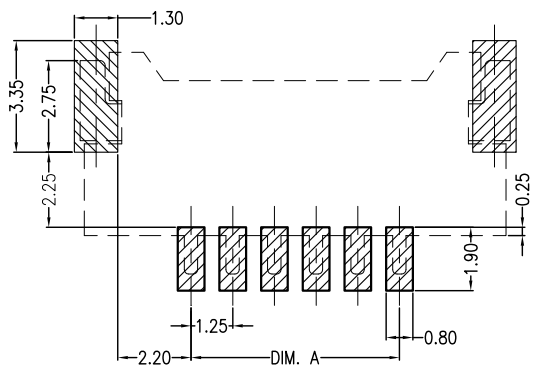
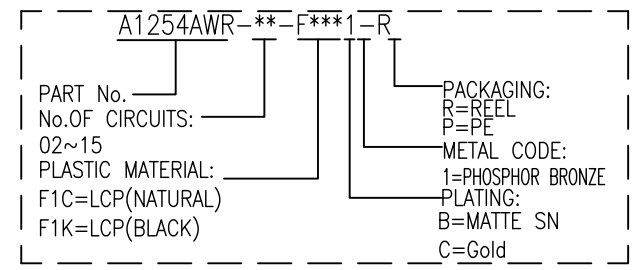


3D VIEWS

Specifications:

- Contact resistance:  $\leq 20m\Omega$
- Insulation resistance:  $\geq 100M\Omega$
- Rated voltage: 125V AC DC
- Rated current: 1.0A AC DC
- Withstand voltage: 500V AC/minute
- Temperature range:  $-25^{\circ}C \sim +85^{\circ}C$
- Housing: LCP UL94V-0, (Natural/Black)
- Contacts: Phosphor bronze (Matte Sn/Gold)
- Solder tabs: Phosphor bronze (Matte Sn/Gold)

ORDER INFORMATION:



SUGGESTED PCB LAYOUT

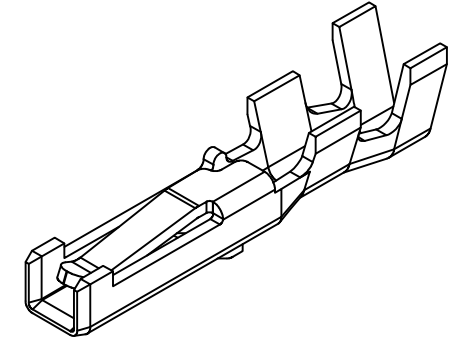
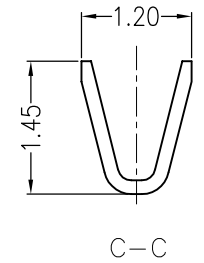
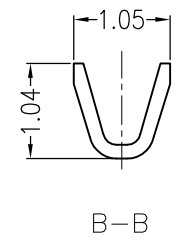
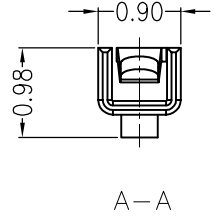
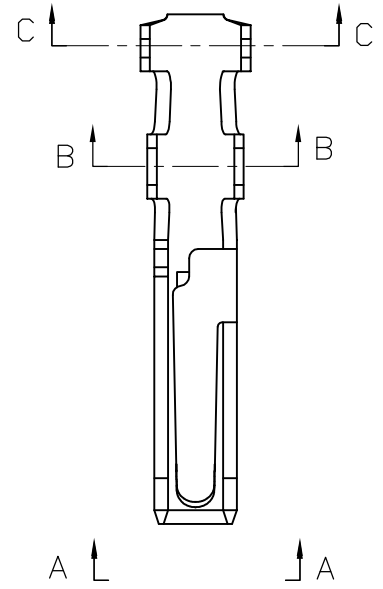
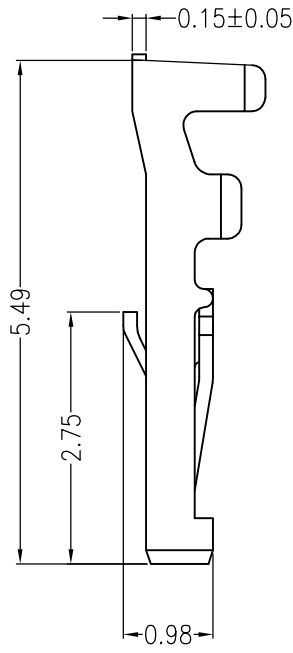
Circuits	Dimensions (mm)			
	DIM. A	DIM. B	DIM. C	DIM. D
02	1.25	7.65	7.90	2.90
03	2.50	8.90	9.15	4.15
04	3.75	10.15	10.40	5.40
05	5.00	11.40	11.65	6.65
06	6.25	12.65	12.90	7.90
07	7.50	13.90	14.15	9.15
08	8.75	15.15	15.40	10.40
09	10.00	16.40	16.65	11.65
10	11.25	17.65	17.90	12.90
11	12.50	18.90	19.15	14.15
12	13.75	20.15	20.40	15.40
13	15.00	21.40	21.65	16.65
14	16.25	22.65	22.90	17.9
15	17.50	23.90	24.15	19.15

**JKUN** 温州健坤接插件有限公司  
WENZHOU JKUN CONNECTOR CO.,LTD.

GENERAL TOLERANCE		USE:	CUSTOMER
X. ±0.50	X. ±5'	APPD:	Shaojinghe
X.X ±0.30	X.X ±2'	CHKD:	Zenglingqing
X.XX ±0.20	X.XX ±1'	DR:	Jiangjiayin
UNITS: mm			

TITLE: 1.25mm PITCH 90° WAFER SMT TYPE	
PART NO.: A1254AWR-**-F***1-R	
DWG NO.: JKUN/GCKH-0658	
SCALE 1 : 1	SHEET 1 / 1

REV	ECN No.	DESCRIPTION	DESIGN	DATE
A0		Release	吴丹平	2016.06.28



Ordering Information & Specification:

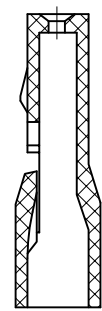
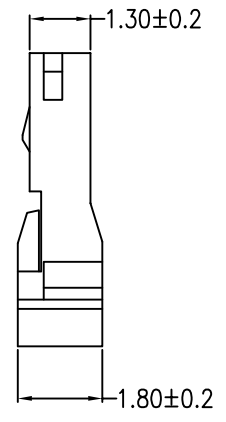
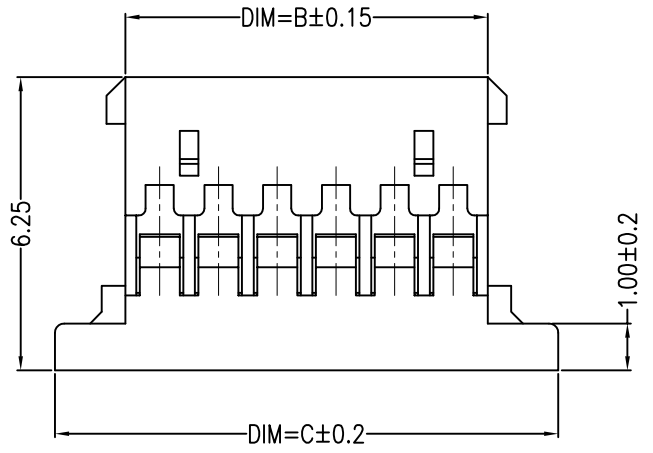
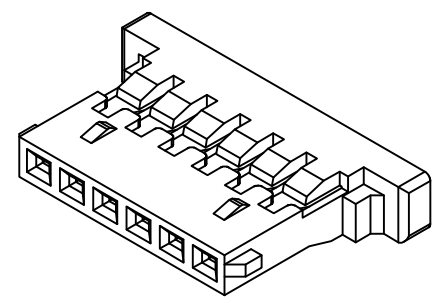
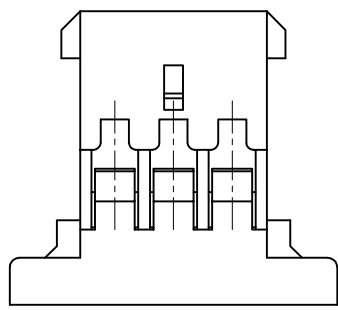
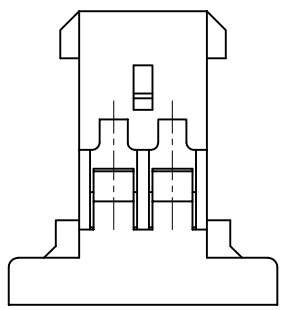
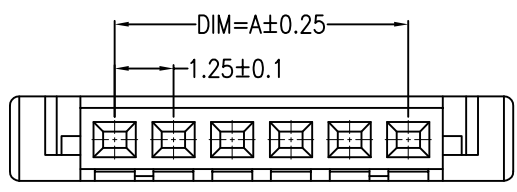
Part No	Wire Range	Insulation O.D.	Material	Finish	Qty/Reel
A1254T	AWG #28~#32	0.90mm(max)	Phosphor bronze	Sn-Plated	

ITEM	COMPONENT	Q'TY	MATERIAL	FINISH
A	CONTACT	1 PCS	Phosphor bronze	Sn-Plated

<b>JKUN</b> 温州健坤接插件有限公司 WENZHOU JKUN CONNECTOR CO.,LTD.			TITLE: -	
X.±0.5	X.±5'	USE:	PART NO.:	
.X±0.3	.X±2'	CUSTOMER	A1254T	
.XX±0.25	.XX±1'	APPD: 邵敬和	DWG NO.:	
--	--	CHKD: 田峰	JKUN-GCDZ-0052	
UNITS: mm		DR: 蒋建银	SCALE	SHEET
			1 : 1	1 / 1

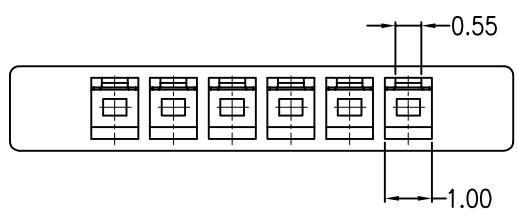
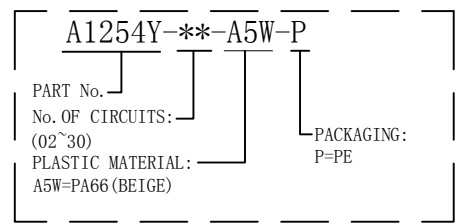
REV	ECN No.	DESCRIPTION	DESIGN	DATE
A	-	NEW RELEASE	吴丹平	2017.10.12



### 主要技术参数 Main Specifications

- 线数 (Poles): 02 to 30
- 接触电阻 (Contact resistance):  $\leq 20m\Omega$
- 绝缘电阻 (Insulation resistance):  $\geq 100M\Omega$
- 额定电压 (Rated voltage): 125 V AC DC
- 额定电流 (Rated current): 1.0A AC DC
- 耐电压 (Withstand Voltage): 500V AC/minute
- 温度范围 (Temperature Range):  $-25^{\circ}C \sim +105^{\circ}C$

### ORDER INFORMATION:



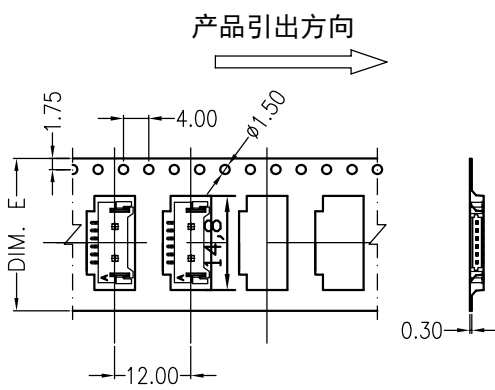
Circuits	Dimensions (mm)		
	DIM=A	DIM=B	DIM=C
02	1.25	2.72	5.72
03	2.50	3.97	6.97
04	3.75	5.22	8.22
05	5.00	6.47	9.47
06	6.25	7.72	10.72
07	7.50	8.97	11.97
08	8.75	10.22	13.22
09	10.00	11.47	14.47
10	11.25	12.72	15.72
11	12.50	13.97	16.97
12	13.75	15.22	18.22
13	15.00	16.47	19.47
14	16.25	17.72	20.72
15	17.50	18.97	21.97
20	23.75	25.22	28.22
30	36.25	27.72	40.72

ITEM	COMPONENT	Q'TY	MATERIAL	FINISH
C				
B				
A	HOUSING	2~30 PCS	PA66	COLOR:BEIGE

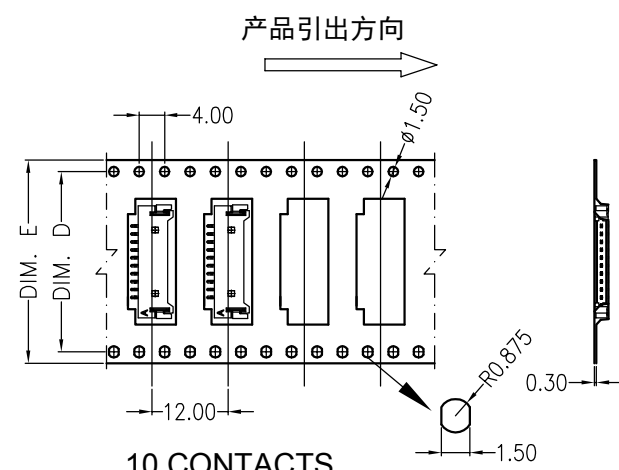
  

JKUN 温州健坤接插件有限公司 WENZHOU JKUN CONNECTOR CO.,LTD.		TITLE: A1254Y 1.25mmPITCH Housing	
.X±0.35	X.±	USE:	PART NO.:
.XX±0.25	.X±	CUSTOMER	A1254Y-**-A5W-P
.XXX±0.15	.XX±	APPD: 邵敬和	DWG NO.:
--	--	CHKD: 田峰	JKUN/GCCP-0660
UNITS: mm		DR: 吴丹平	SCALE
			1 : 1
			SHEET
			1 / 1

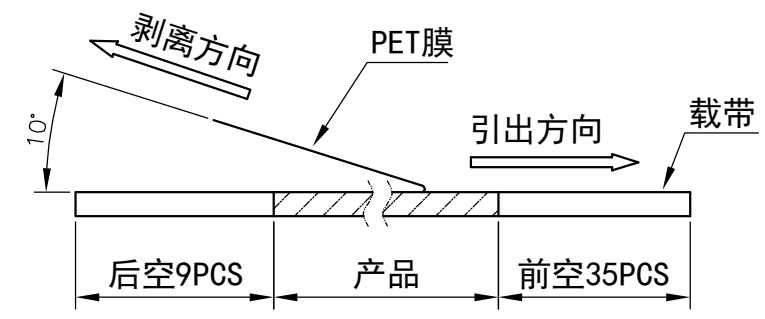
REV	ECN No.	DESCRIPTION	DESIGN	DATE
A		Release	蒋建银	2018.06.22



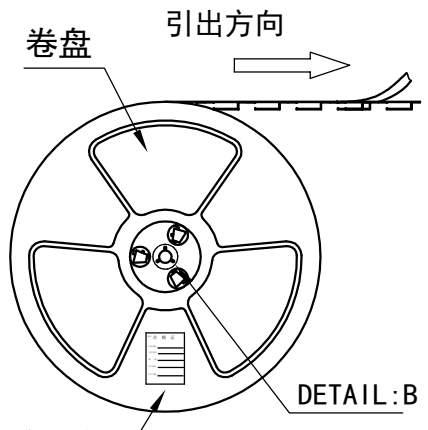
02~09 CONTACTS



10 CONTACTS

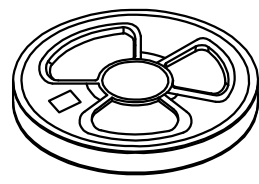
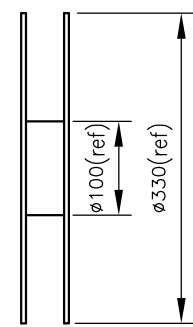


(PET膜剥离示意图)

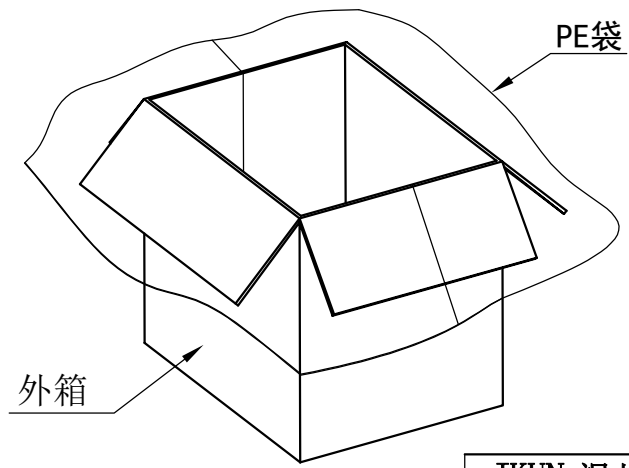


合格证

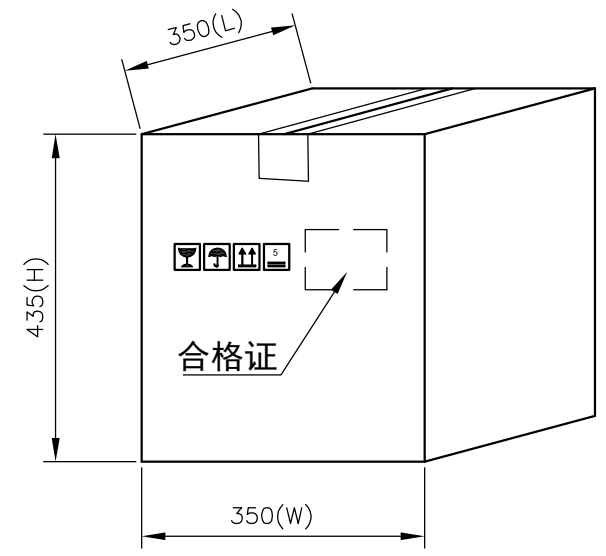
DETAIL: B



装\*盘 (参考列表一)



外箱



合格证

列表一

Circuits	DIM. D	DIM. E	Q'ty/Reel	Packing (Reel/Caton)
02PIN	-	16	2500PCS	20/Reel
03-09PIN	-	24	2500PCS	15/Reel
10PIN	28.4	32	2500PCS	11/Reel

包装说明:

- 把成品包入卷盘中, 每盘装2500PCS, 卷盘上贴上合格证, 将装好产品的卷盘放进外箱中, 外箱内先套一个大PE袋, 外箱上贴贴上合格证.
- 所有材料有害物控制需符合 RoHS标准.

JKUN 温州健坤接插件有限公司 WENZHOU JKUN CONNECTOR CO., LTD.			TITLE: A1254AWR 包装规范	
X.± 0.5	X.±*	USE: MANUFACTURE	PART NO.: A1254AWR-nP 卷装	
.X± 0.3	.X±*	APPD: 邵敬和	DWG NO.: JKUN/GCBZ-0658	
.XX±0.25	.XX±*	CHKD: 田峰	SCALE 1 : 1	
--	--	DR: 蒋建银	SHEET 1 / 1	
UNITS: mm				