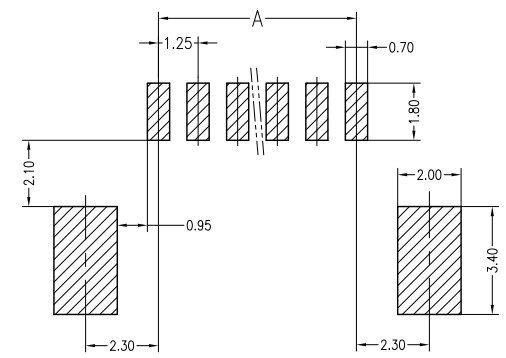
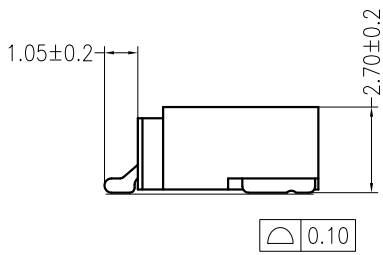
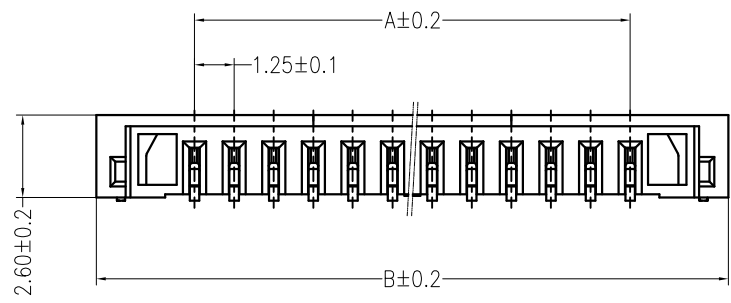
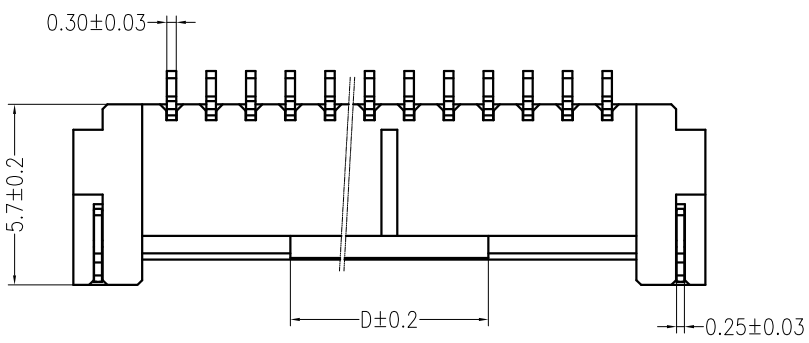


A B C D E F

REV	DESCRIPTION	DESIGN	DATE
A0	NEW RELEASE	Wudanping	2017/07/28

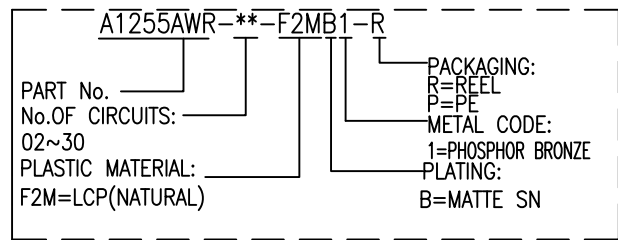


SUGGESTED PCB LAYOUT

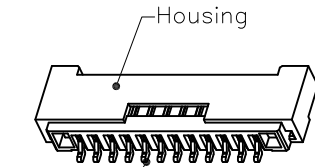
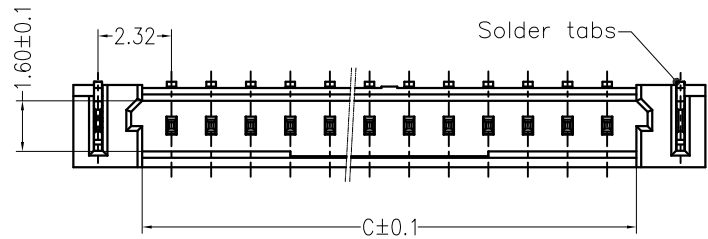


Specifications:
 Contact resistance: ≤20mΩ
 Insulation resistance: ≥500MΩ
 Rated voltage: 150V AC DC
 Rated current: 1.0A AC DC
 Withstand voltage: 500V AC/minute
 Temperature range: -25℃ ~ +85℃
 Housing: LCP UL94V-0, Natural
 Contacts: Phosphor bronze/Matte sn
 Solder tabs: Phosphor bronze/Matte sn

ORDER INFORMATION:



孔位	DIM A	DIM B	DIM C	DIM D
2pin	1.25	7.45	3.05	2.50
3pin	2.50	8.70	4.30	3.00
4pin	3.75	9.95	5.55	3.75
5pin	5.00	11.20	6.80	5.00
6pin	6.25	12.45	8.05	
7pin	7.50	13.70	9.30	
8pin	8.75	14.95	10.55	
9pin	10.00	16.20	11.80	
10pin	11.25	17.45	13.05	
11pin	12.50	18.70	14.30	
12pin	13.75	19.95	15.55	
13pin	15.00	21.20	16.80	
14pin	16.25	22.45	18.05	
15pin	17.50	23.70	19.30	
*16pin	18.75	24.95	20.55	
*17pin	20.00	26.20	21.80	
*18pin	21.25	27.45	23.05	
*19pin	22.50	28.70	24.30	
*20pin	23.75	29.95	25.55	
*21pin	25.00	31.20	26.80	
*22pin	26.25	32.45	28.05	
*23pin	27.50	33.70	29.30	
*24pin	28.75	34.95	30.55	
*25pin	30.00	36.20	31.80	
*26pin	31.25	37.45	33.05	
*27pin	32.50	38.70	34.30	
*28pin	33.75	39.95	35.55	
*29pin	35.00	41.20	36.80	
30pin	36.25	42.45	38.05	



3D VIEWS

JKUN 温州健坤接插件有限公司
 WENZHOU JKUN CONNECTOR CO.,LTD.

GENERAL TOLERANCE		USE:	CUSTOMER
X. ±0.50	X. ±5°	APPD:	Shaojinghe
X.X ±0.30	X.X ±2°	CHKD:	Zenglingqing
X.XX ±0.20	X.XX ±1°	DR:	Jiangjanyin
⊕	UNITS: mm		

TITLE:	1.25mmPITCH 90°WAFER SMT TYPE	
PART NO.:	A1255AWR-**-F2MB1-R	
DWG NO.:	JKUN/GCKH-0718	
SCALE	1 : 1	SHEET
		1 / 1

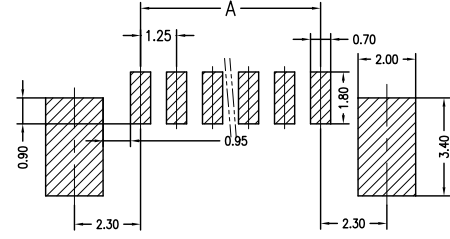
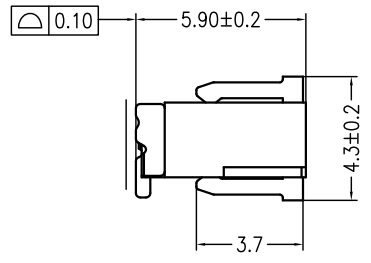
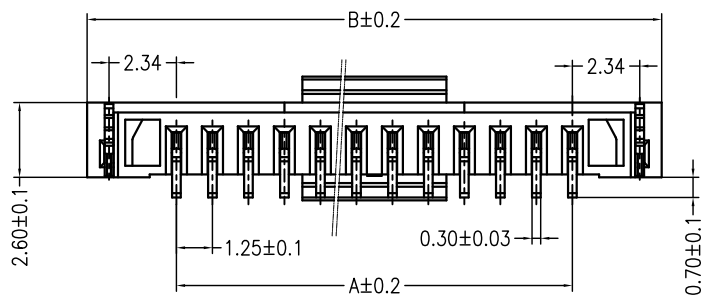
A B C D E F

1
2
3
4
5

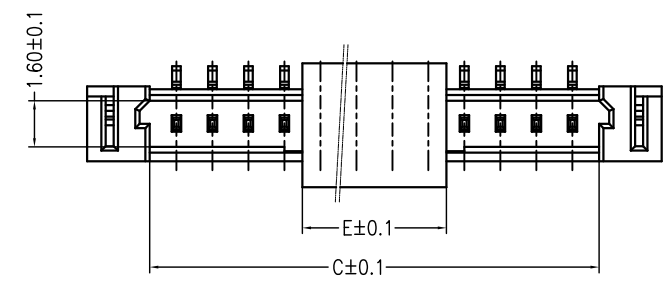
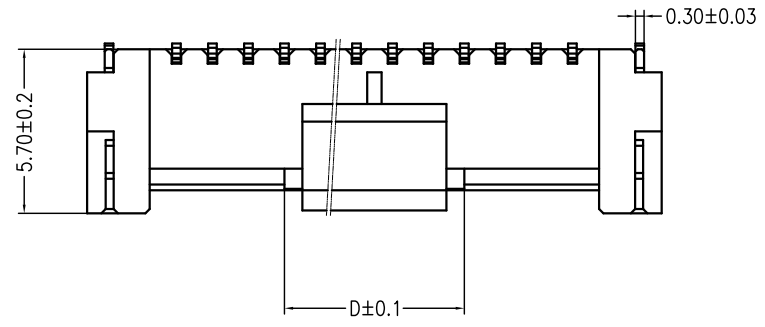
1
2
3
4

REV	DESCRIPTION	DESIGN	DATE
AO	NEW RELEASE	Wudanping	2017/07/28

孔位	DIM A	DIM B	DIM C	DIM D	DIM E
2pin	1.25	7.45	3.05	2.50	2.90
3pin	2.50	8.70	4.30	3.00	
4pin	3.75	9.95	5.55	3.75	
5pin	5.00	11.20	6.80	5.00	
6pin	6.25	12.45	8.05	6.25	
7pin	7.50	13.70	9.30		
8pin	8.75	14.95	10.55		
9pin	10.00	16.20	11.80		
10pin	11.25	17.45	13.05		
11pin	12.50	18.70	14.30		
12pin	13.75	19.95	15.55		
13pin	15.00	21.20	16.80		
14pin	16.25	22.45	18.05		
15pin	17.50	23.70	19.30		
*16pin	18.75	24.95	20.55	5.00	
*17pin	20.00	26.20	21.80		
*18pin	21.25	27.45	23.05		
*19pin	22.50	28.70	24.30		
*20pin	23.75	29.95	25.55		
*21pin	25.00	31.20	26.80		
*22pin	26.25	32.45	28.05		
*23pin	27.50	33.70	29.30		
*24pin	28.75	34.95	30.55		
*25pin	30.00	36.20	31.80		
*26pin	31.25	37.45	33.05		
*27pin	32.50	38.70	34.30		
*28pin	33.75	39.95	35.55		
*29pin	35.00	41.20	36.80		
30pin	36.25	42.45	38.05		



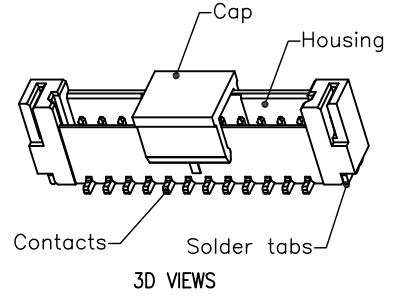
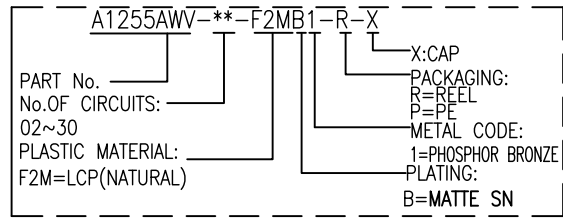
SUGGESTED PCB LAYOUT



Specifications:

- Contact resistance: ≤20mΩ
- Insulation resistance: ≥500MΩ
- Rated voltage: 150V AC DC
- Rated current: 1.0A AC DC
- Withstand voltage: 500V AC/minute
- Temperature range: -25℃ ~ +85℃
- Housing: LCP UL94V-0, Natural
- CAP: LCP UL94V-0, Natural
- Contacts: Phosphor bronze/Matte sn
- Solder tabs: Phosphor bronze/Matte sn

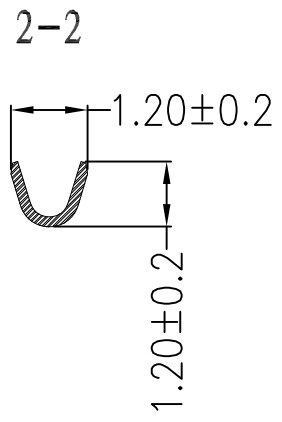
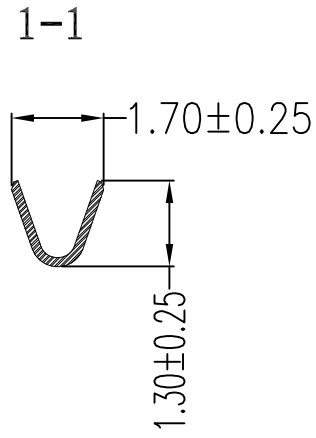
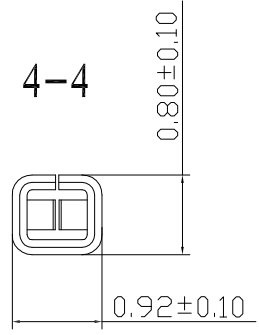
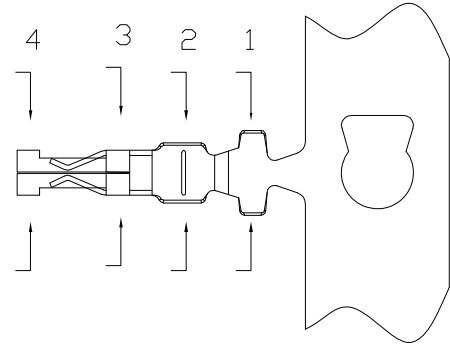
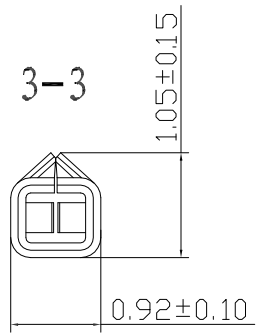
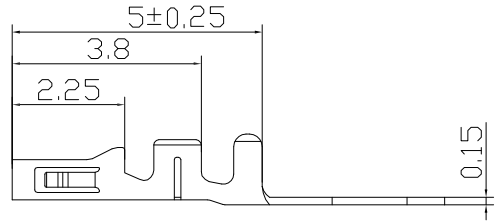
ORDER INFORMATION:



3D VIEWS

JKUN 温州健坤接插件有限公司 WENZHOU JKUN CONNECTOR CO.,LTD.		TITLE: 1.25mmPITCH 180°WAFER SMT TYPE	
GENERAL TOLERANCE		USE: CUSTOMER	PART NO.:
X. ±0.50	X. ±5°	APPD: Shaojinghe	A1255AWV-**-F2MB1-R-X
X.X ±0.30	X.X ±2°	CHKD: Zenglingqing	DWG NO.:
X.XX ±0.20	X.XX ±1°	DR: Jiangjiayin	JKUN/GCKH-0719
UNITS: mm		SCALE 1 : 1	SHEET 1 / 1

REV	ECN No.	DESCRIPTION	DESIGN	DATE
A0		Release	蒋建银	2018.06.05



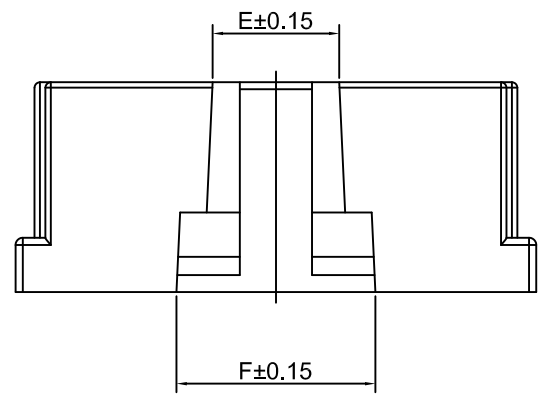
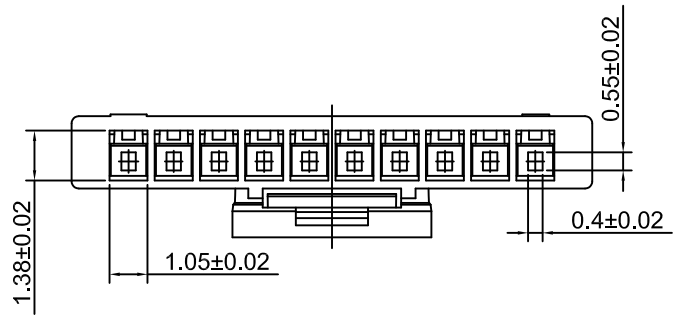
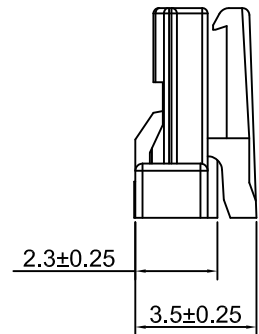
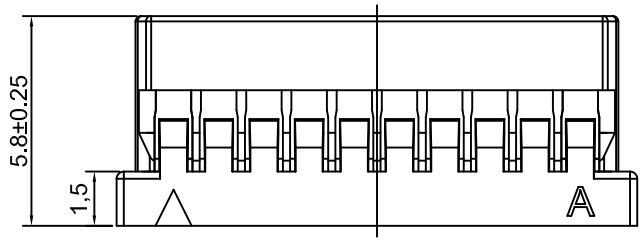
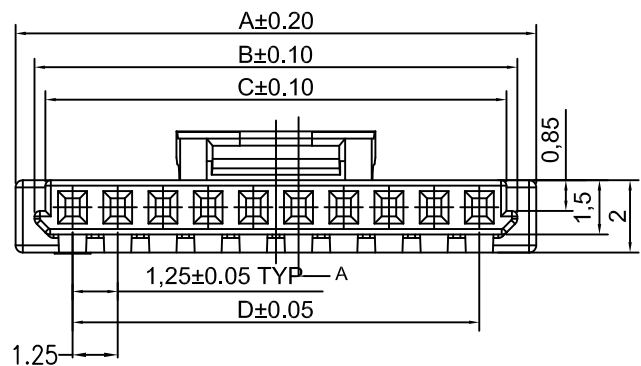
主要技术参数 Main Specifications

适用线规 (Applicable wire gauge): AWG28#~32#
 接触电阻 (Contact resistance): $\leq 20m\Omega$
 绝缘电阻 (Insulation resistance): $\geq 500M\Omega$
 额定电压 (Rated voltage): 150V AC DC
 额定电流 (Rated current): 1.0A AC DC
 耐电压 (Withstand Voltage): 500V AC/minute
 温度范围 (Temperature Range): $-25^{\circ}C \sim +85^{\circ}C$

C					
B					
A	HOUSING		1 PCS	Phosphor bronze	TIN Plated
ITEM	COMPONENT		Q'TY	MATERIAL	FINISH
JKUN 温州健坤接插件有限公司 WENZHOU JKUN CONNECTOR CO.,LTD.					TITLE: DF16-T端子 -
X.±0.5	X.±5'	USE:		PART NO.:	
.X±0.3	.X±2'	CUSTOMER		A1255T-PA	
.XX±0.25	.XX±1'	APPD: 邵敬和		DWG NO.:	
--	--	CHKD: 田峰		-	
UNITS: mm		DR: 蒋建银		SCALE	SHEET
				1 : 1	1 / 1

A B C D E F

REV	ECN No.	DESCRIPTION	DESIGN	DATE
A0		Release	蒋建银	2018.03.23

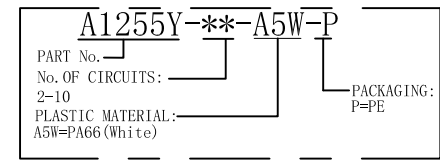


PIN	DIM A	DIM B	DIM C	DIM D	DIM E	DIM F
2P	4.40	3.35	2.75	1.25	1.05	2.65
3P	5.65	4.60	4.00	2.50	2.05	3.75
4P	6.90	5.85	5.25	3.75	3.15	5.15
5P	8.15	7.10	6.50	5.00	3.55	5.25
6P	9.40	8.35	7.75	6.25	3.15	5.25
7P	10.65	9.60	9.00	7.50	3.55	5.25
8P	11.90	10.85	10.25	8.75	3.15	5.25
9P	13.15	12.10	11.50	10.00	3.55	5.25
10P	14.40	13.35	12.75	11.25	3.15	5.25

主要技术参数 Main Specifications

线 数 (Poles): 02 to 10
 接触电阻 (Contact resistance): $\leq 20m\Omega$
 绝缘电阻 (Insulation resistance): $\geq 500M\Omega$
 额定电压 (Rated voltage): 150V AC DC
 额定电流 (Rated current): 1.0A AC DC
 耐 电 压 (Withstand Voltage): 500V AC/minute
 温度范围 (Temperature Range): $-25^{\circ}C \sim +85^{\circ}C$

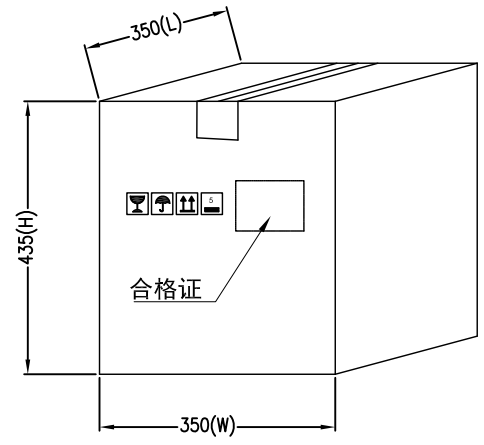
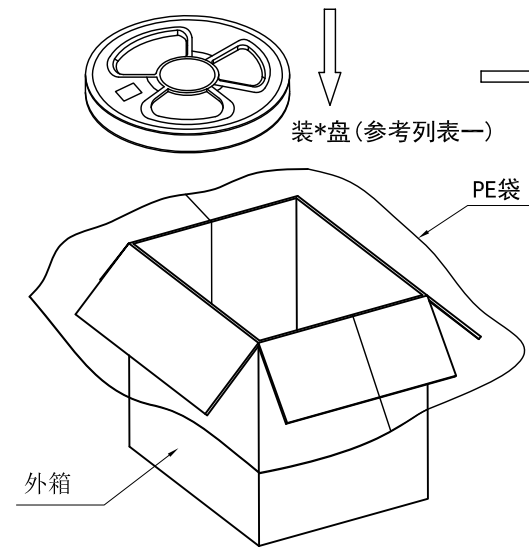
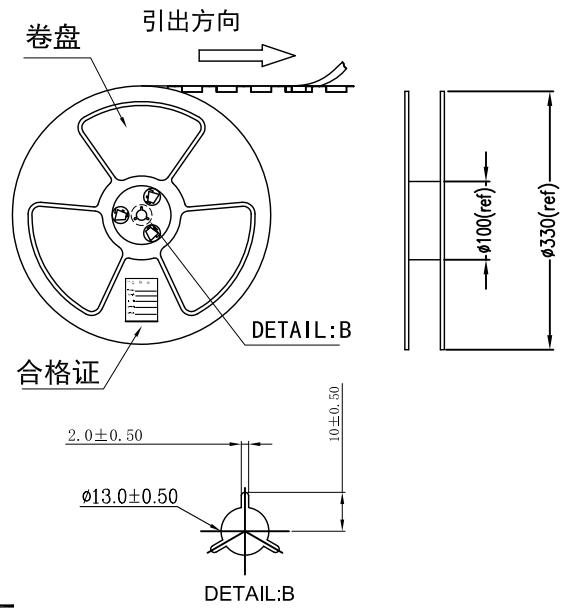
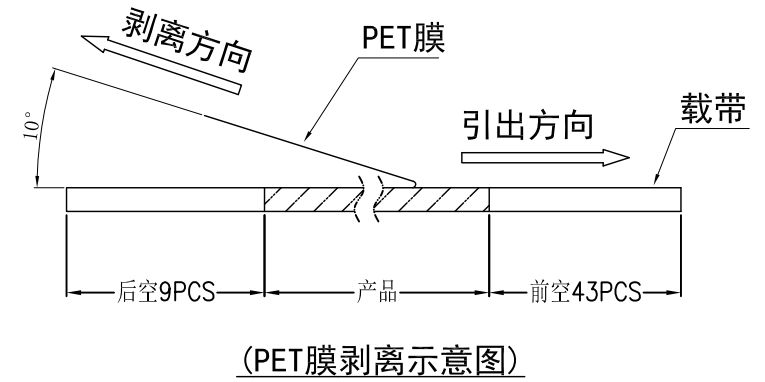
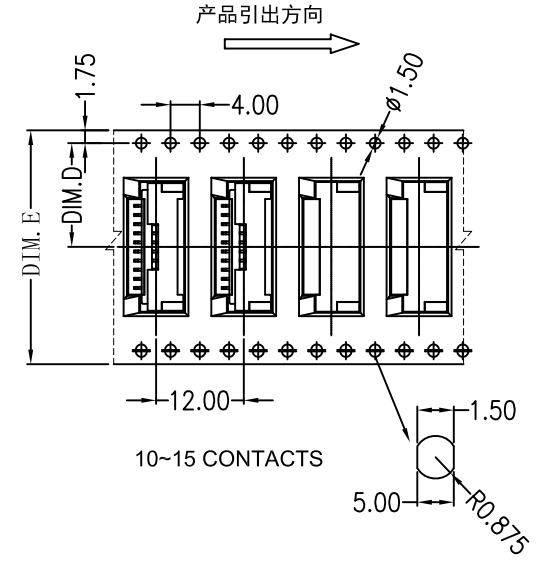
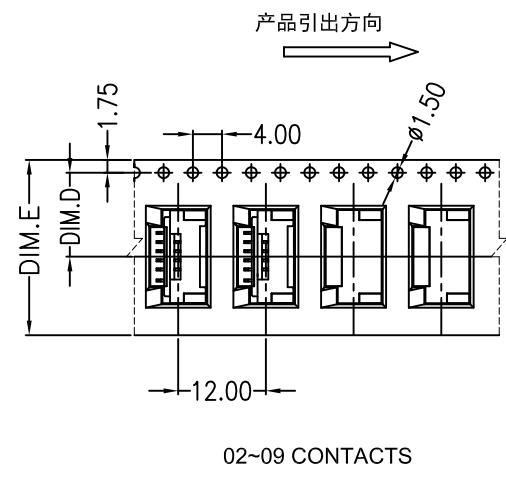
ORDER INFORMATION:



C				
B				
A	HOUSING	1 PCS	PA66	94-V0
ITEM	COMPONENT	Q'TY	MATERIAL	FINISH
JKUN 温州健坤接插件有限公司 WENZHOU JKUN CONNECTOR CO.,LTD.				TITLE: DF16-**Y 1.25mmPITCH HOUSING
X.±0.5	X.±5'	USE: CUSTOMER	PART NO.:	
.X±0.3	.X±2'		A1255Y-**-A5W-P	
.XX±0.25	.XX±1'		DWG NO.:	
--	--	CHKD: 田峰	-	
⊕	◁	DR: 蒋建银	SCALE	SHEET
	UNITS: mm		1 : 1	1 / 1

A B C D E F

REV	ECN No.	DESCRIPTION	DESIGN	DATE
A		Release	蒋建银	2018.06.22



列表一

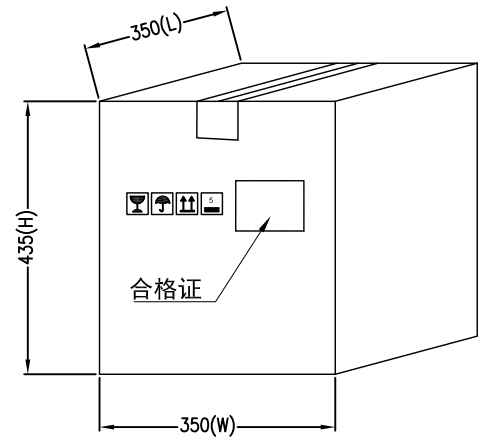
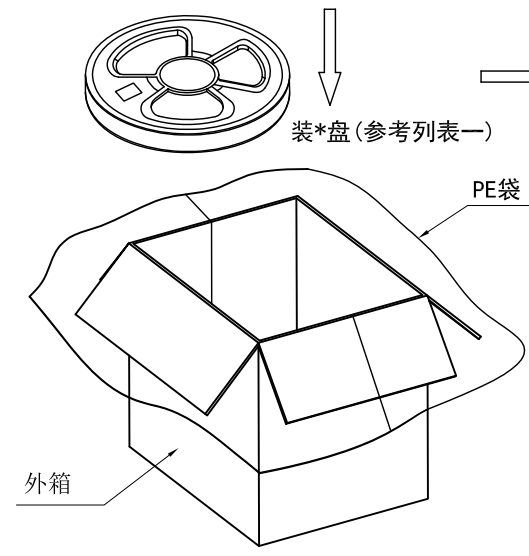
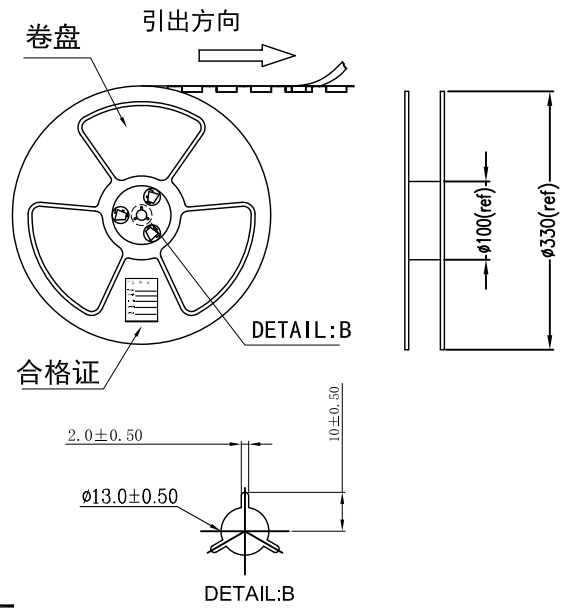
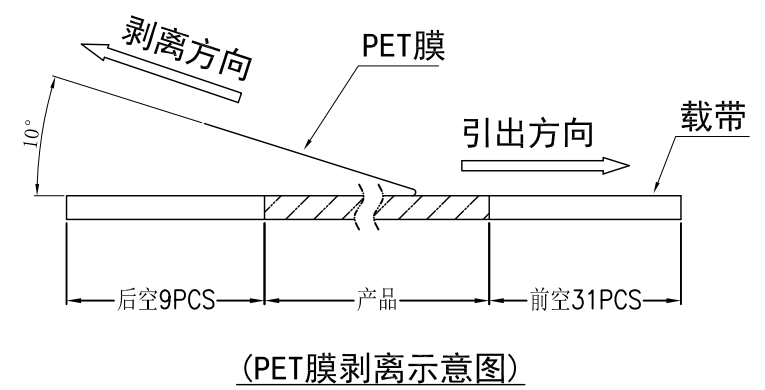
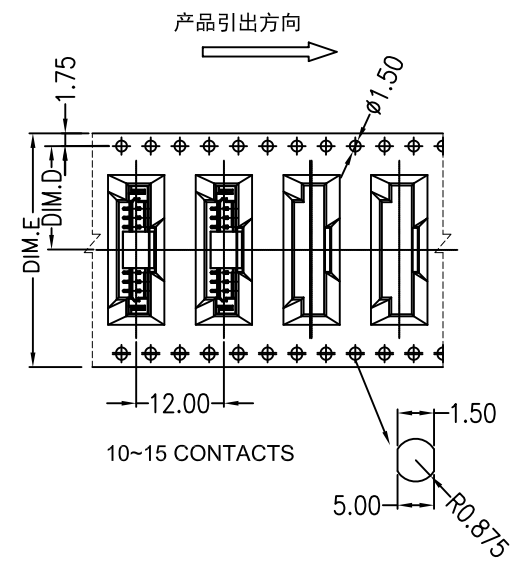
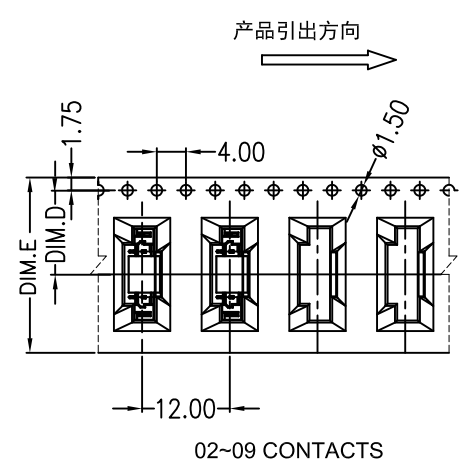
Circuits	DIM. D	DIM. E	Q' ty/Reel	Packing (Reel/Caton)
02~03PIN	7.5	16	1500PCS	20/Reel
04~09PIN	11.5	24	1500PCS	15/Reel
10~13PIN	28.5	32	1500PCS	11/Reel
14~15PIN	40.4	44	1500PCS	8/Reel

包装说明:

- 把成品包入卷盘中, 每盘装1500PCS, 卷盘上贴上合格证, 将装好产品的卷盘放进外箱中, 外箱内先套一个大PE袋, 外箱上贴贴上合格证.
- 所有材料有害物控制需符合RoHS标准.

JKUN 温州健坤接插件有限公司 WENZHOU JKUN CONNECTOR CO., LTD.			TITLE: A1255AWR 包装规范	
X.± 0.5	X.±°	USE: MANUFACTURE	PART NO.:	
.X± 0.3	.X±°		A1255AWR 卷装	
.XX±0.25	.XX±°	APPD: 刘振岭	DWG NO.:	
--	--	CHKD: 王亮	JKUN/GCBZ-0718	
⊕	◁	UNITS: mm	DR: 蒋建银	SCALE 1 : 1
				SHEET 1 / 1

REV	ECN No.	DESCRIPTION	DESIGN	DATE
A		Release	蒋建银	2018.06.22



列表一

Circuits	DIM. D	DIM. E	Q' ty/Reel	Packing (Reel/Caton)
02PIN	7.5	16	800PCS	20/Reel
03~09PIN	11.5	24	800PCS	15/Reel
10~13PIN	28.5	32	800PCS	11/Reel
14~15PIN	40.4	44	800PCS	8/Reel

包装说明:

- 把成品包入卷盘中, 每盘装800PCS, 卷盘上贴上合格证, 将装好产品的卷盘放进外箱中, 外箱内先套一个大PE袋, 外箱上贴贴上合格证.
- 所有材料有害物控制需符合RoHS标准.

JKUN 温州健坤接插件有限公司 WENZHOU JKUN CONNECTOR CO., LTD.			TITLE: A1255AWV 包装规范	
X.± 0.5	X.±°	USE: MANUFACTURE	PART NO.:	
.X± 0.3	.X±°		A1255AWV 卷装	
.XX±0.25	.XX±°	APPD: 刘振岭	DWG NO.:	
--	--	CHKD: 王亮	JKUN/GCBZ-0719	
⊕	◁	UNITS: mm	DR: 蒋建银	SCALE 1 : 1
				SHEET 1 / 1