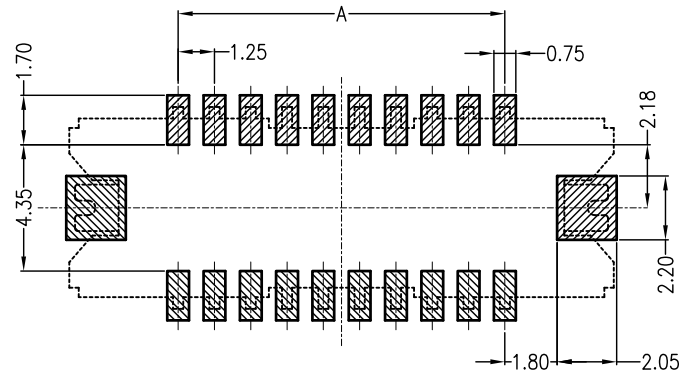
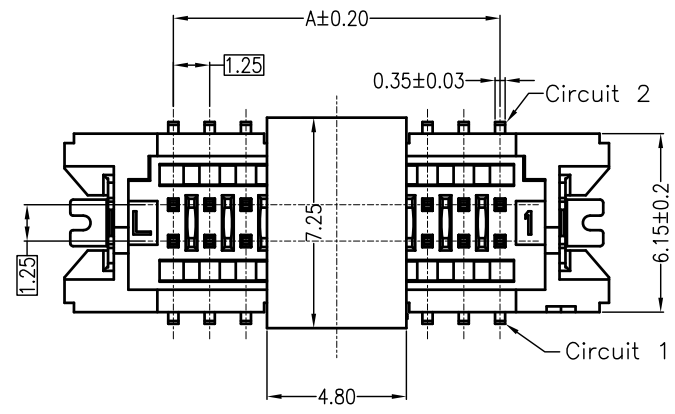


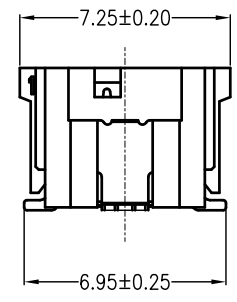
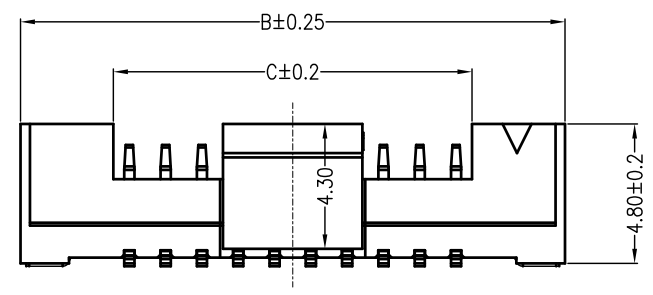
REV	DESCRIPTION	DESIGN	DATE
A0	NEW RELEASE	Lingqing	2020/07/22



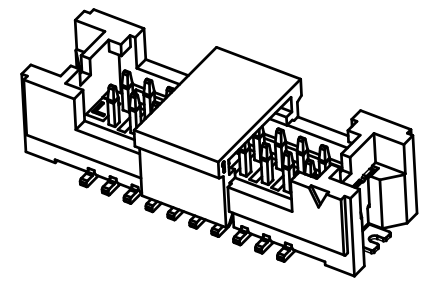
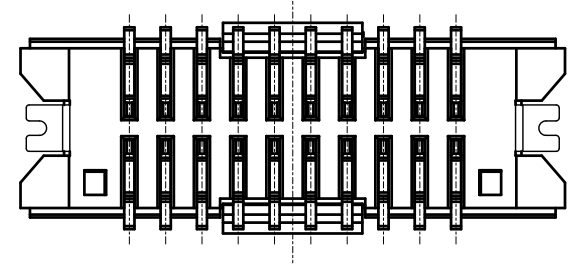
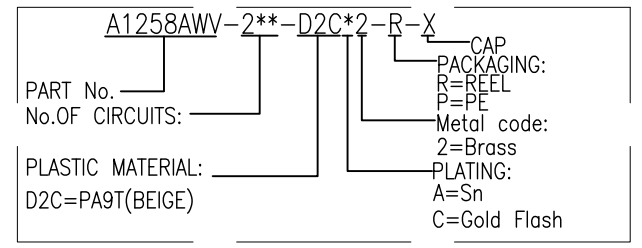
Specifications:
 Poles:10 to 50
 Contact resistance:≤30mΩ
 Insulation resistance:≥500MΩ
 Rated voltage:150V AC DC
 Rated current:1.0A AC DC
 Withstand Voltage: 500V AC/minute
 Temperature Range:-25°C~ +85°C
 Housing:PA9T UL94V-0,Natural(Beige)
 CAP:PA9T UL94V-0,Natural(Beige)
 Contacts:Brass/Sn-plated or Gold-flash
 Solder Tabs:Brass/Sn-plated or Gold-flash

SUGGESTED PCB LAYOUT

Circuits	Dimensions (mm)		
	A	B	C
2x05P	5.00	12.50	6.10
2x10P	11.25	18.75	12.35
2x15P	17.50	25.00	18.60
2x20P	23.75	31.25	24.85
2x25P	30.00	37.50	31.10

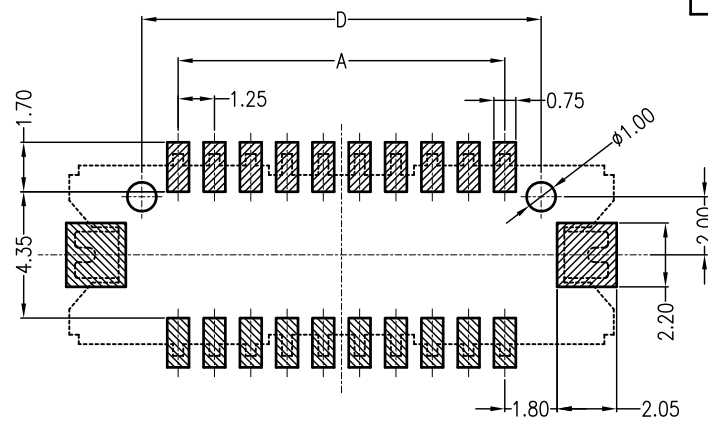
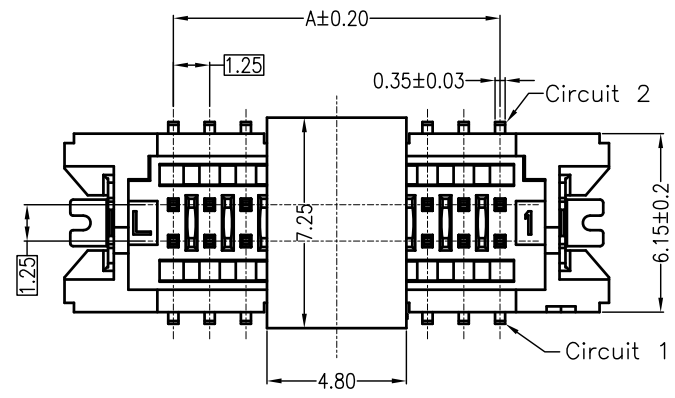


ORDER INFORMATION:



JKUN 温州健坤接插件有限公司 WENZHOU JKUN CONNECTOR CO.,LTD.		TITLE: 1.25 Pitch Wafer 180° SMT	
GENERAL TOLERANCE		USE: CUSTOMER	PART NO.:
X. ±0.50	X. ±5'	APPD: WangFeng	A1258AWV-2**-D2C*2-R-X
X.X ±0.30	X.X ±2'	CHKD: Shaojinghe	DWG NO.:
X.XX ±0.20	X.XX ±1'	DR: Zenglingqing	JKUN-GCKH-0881
⊕	UNITS: mm	SCALE	SHEET
		1 : 1	1 / 1

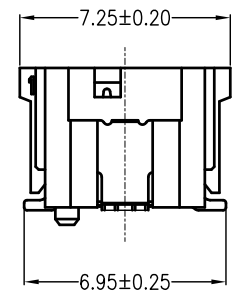
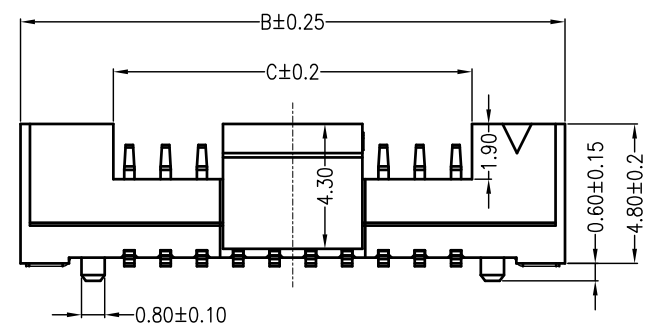
REV	DESCRIPTION	DESIGN	DATE
A0	NEW RELEASE	Lingqing	2020/07/22



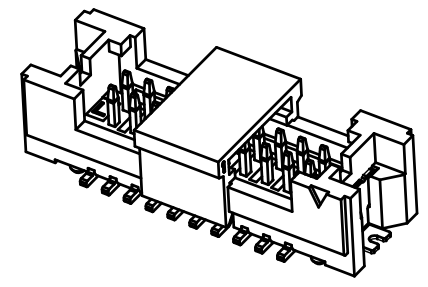
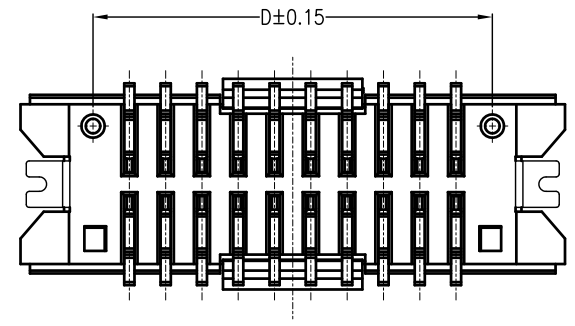
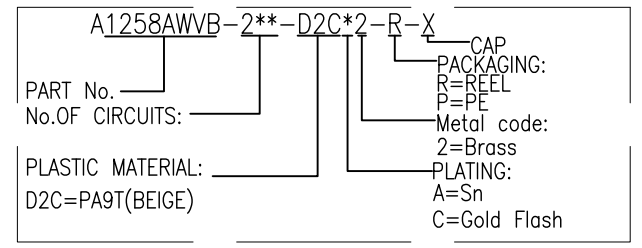
Specifications:
 Poles: 10 to 50
 Contact resistance: ≤30mΩ
 Insulation resistance: ≥500MΩ
 Rated voltage: 150V AC DC
 Rated current: 1.0A AC DC
 Withstand Voltage: 500V AC/minute
 Temperature Range: -25°C ~ +85°C
 Housing: PA9T UL94V-0, Natural (Beige)
 CAP: PA9T UL94V-0, Natural (Beige)
 Contacts: Brass/Sn-plated or Gold-flash
 Solder Tabs: Brass/Sn-plated or Gold-flash

SUGGESTED PCB LAYOUT

Circuits	Dimensions (mm)			
	A	B	C	D
2x05P	5.00	12.50	6.10	7.50
2x10P	11.25	18.75	12.35	13.75
2x15P	17.50	25.00	18.60	20.00
2x20P	23.75	31.25	24.85	26.25
2x25P	30.00	37.50	31.10	32.50

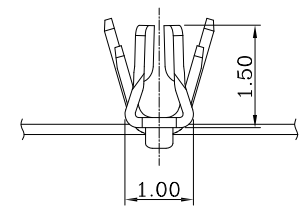
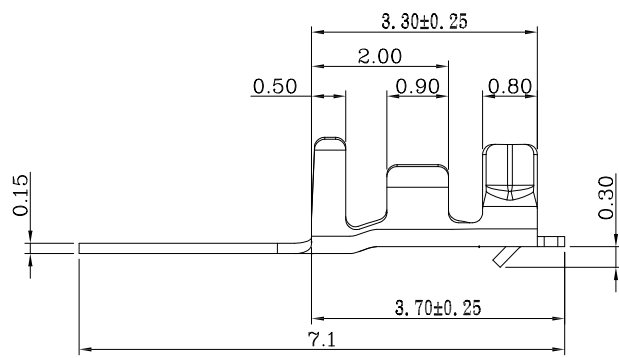
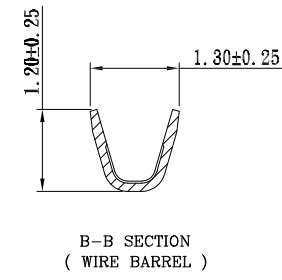
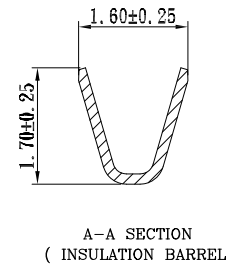
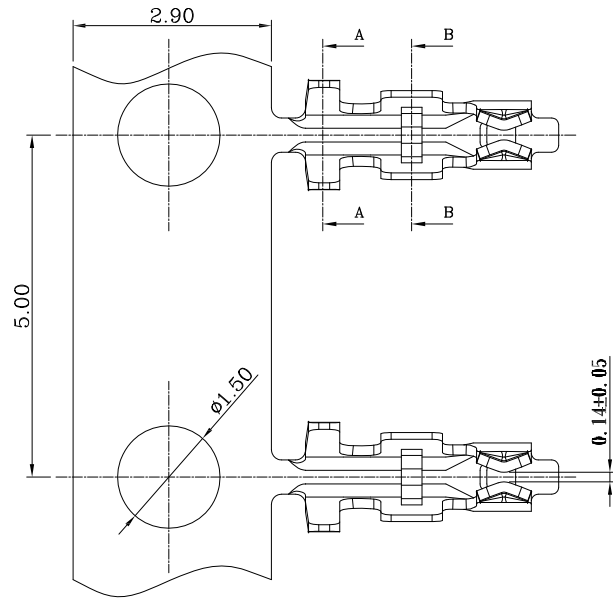


ORDER INFORMATION:



JKUN 温州健坤接插件有限公司 WENZHOU JKUN CONNECTOR CO.,LTD.		TITLE: 1.25 Pitch Wafer 180° SMT	
GENERAL TOLERANCE		USE: CUSTOMER	
X. ±0.50	X. ±5'	APPD: WangFeng	
X.X ±0.30	X.X ±2'	CHKD: Shaojinghe	
X.XX ±0.20	X.XX ±1'	DR: Zenglingqing	
UNITS: mm		PART NO.: A1258AWVB-2**-D2C*2-R-X	
		DWG NO.: JKUN-GCKH-0860	
		SCALE 1 : 1	
		SHEET 1 / 1	

REV	ECN No.	DESCRIPTION	DESIGN	DATE
A0		Release	吴丹平	2017.04.27

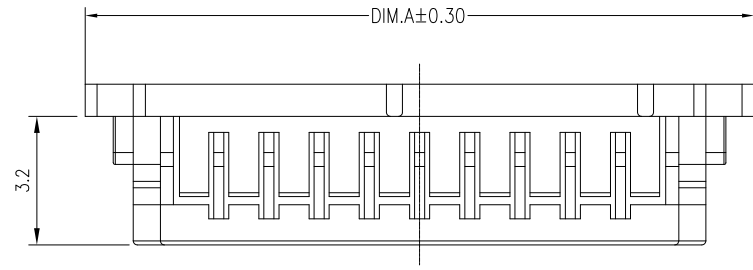


Ordering Information & Specification:

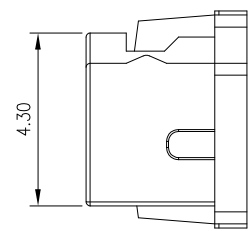
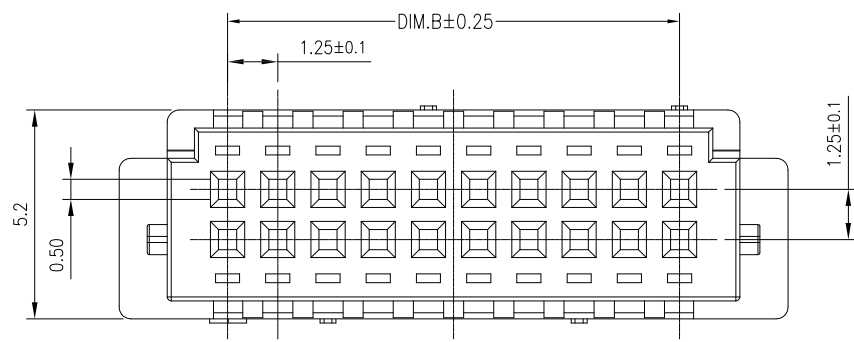
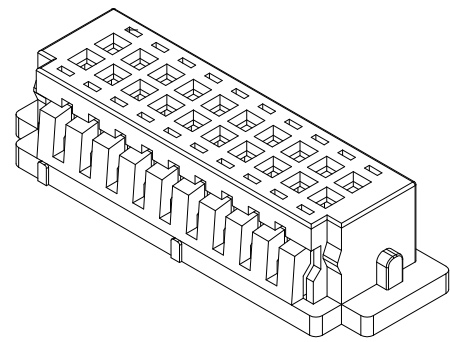
Part No	Wire Range	Insulation O.D.	Material	Finish	Qty/Reel
A1258T-02端子	AWG #28~#32	1.0m(MAX)	Phosphor bronze	Sn-plated	

JKUN 温州健坤接插件有限公司 WENZHOU JKUN CONNECTOR CO., LTD.			TITLE:	
X±0.5	X±5'	USE: CUSTOMER	PART NO.:	
.X±0.3	.X±2'		A1258T-02端子	
.XX±0.25	.XX±1'	APPD: 邵敬和	DWG NO.:	
--	--	CHKD: 田峰	JKUN/GCDZ-0090	
UNITS: mm		DR: 吴丹平	SCALE 1 : 1	SHEET 1 / 1

REV	ECN No.	DESCRIPTION	DESIGN	DATE
AO		Release	蒋建银	2018.11.23



CIRCUITS	DIMENSION		
	A	B	C
10	10.40	5.00	8.00
20	16.65	11.25	14.25
30	22.90	17.50	20.50
40	29.15	23.75	26.75
50	35.40	30.00	33.00



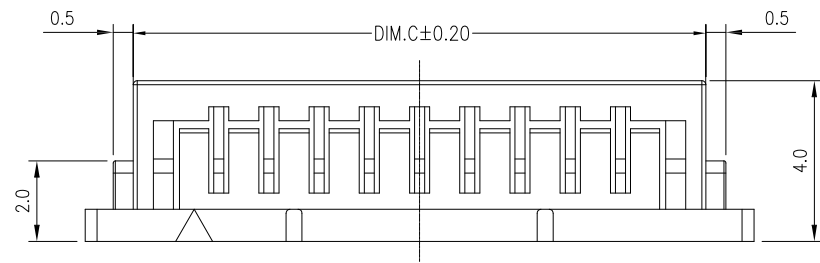
主要技术参数 Main Specifications

- 线数 (Poles): 10 to 50
- 接触电阻 (Contact resistance): $\leq 30m\Omega$
- 绝缘电阻 (Insulation resistance): $\geq 500M\Omega$
- 额定电压 (Rated voltage): 150V AC DC
- 额定电流 (Rated current): 1.0A AC DC
- 耐电压 (Withstand Voltage): 500V AC/minute
- 温度范围 (Temperature Range): $-25^{\circ}C \sim +85^{\circ}C$

ORDER INFORMATION:

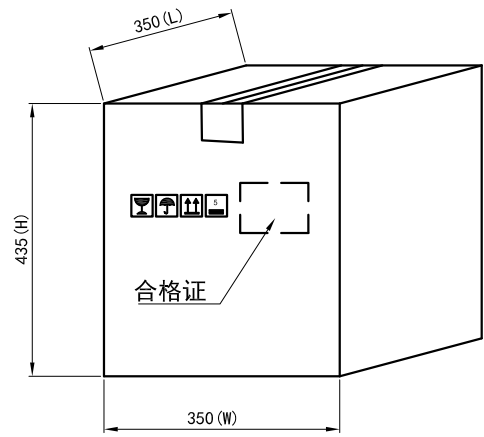
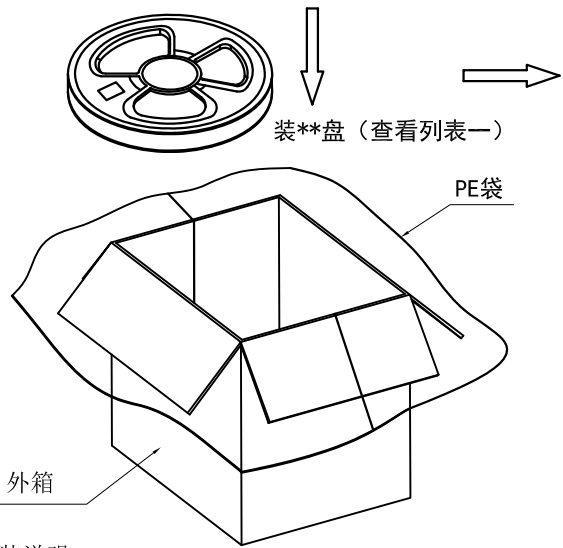
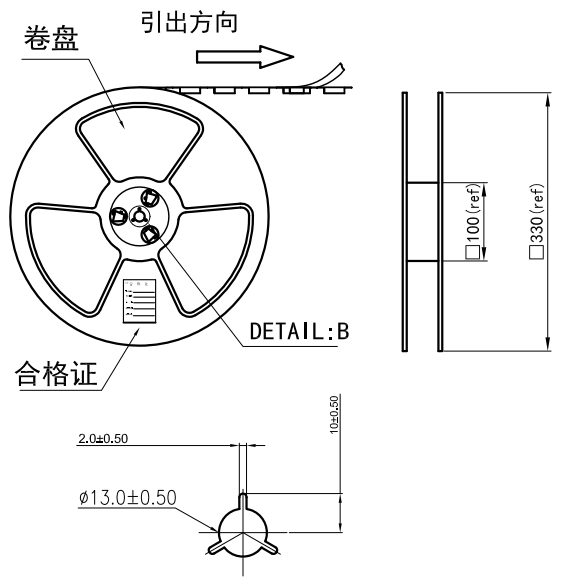
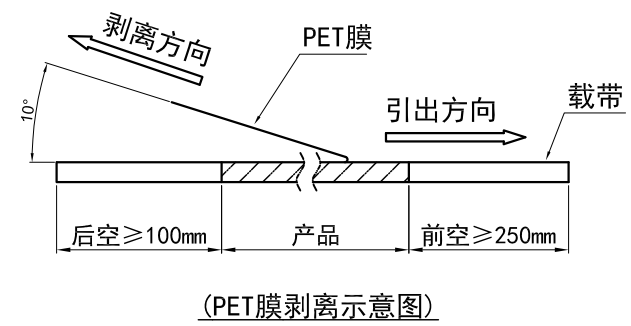
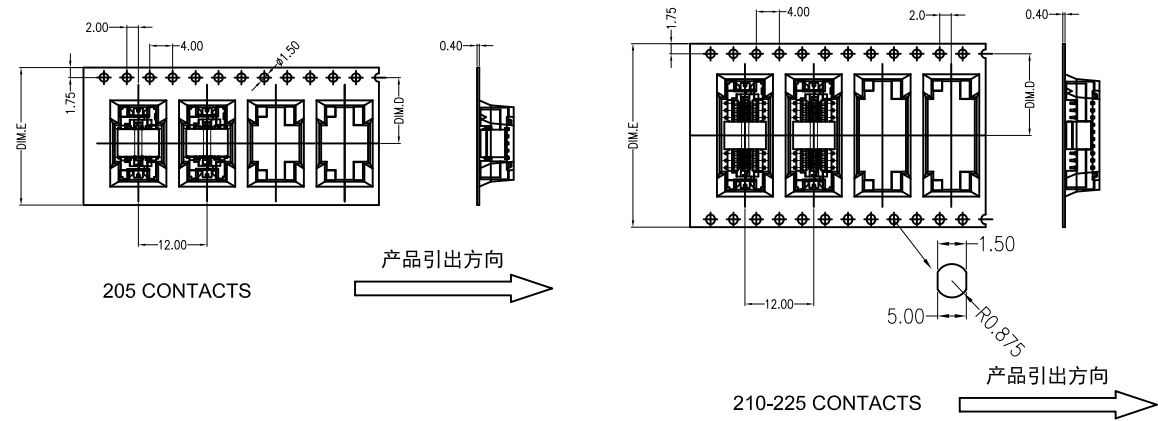
A1258Y--A5M-P-2**

PART No.:		PACKAGING:	
No. OF CIRCUITS:		P=PE	
**		PLASTIC MATERIAL:	
		A5M=PA66 (Natural)	



ITEM	COMPONENT	Q'TY	MATERIAL	FINISH
A	HOUSING	1 PCS	PA66	UL 94V-0, COLOR:NATURAL
JKUN 温州健坤接插件有限公司 WENZHOU JKUN CONNECTOR CO., LTD.				TITLE: A1258Y-**-02P 1.25mmPITCH Housing
X.±0.5	X.±5'	USE:	CUSTOMER	
.X±0.3	.X±2'	APPD:	A1258Y-**-A5M-P-2	
.XX±0.25	.XX±1'	CHKD:	DWG NO.: JKUN-GCKH-0889	
--	--	DR:	SCALE: 1:1 SHEET: 1/1	
UNITS: mm		蒋建银		

REV	ECN No.	DESCRIPTION	DESIGN	DATE
A		Release	陈志明	2021.05.13



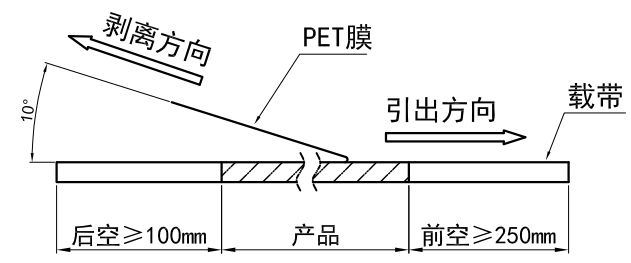
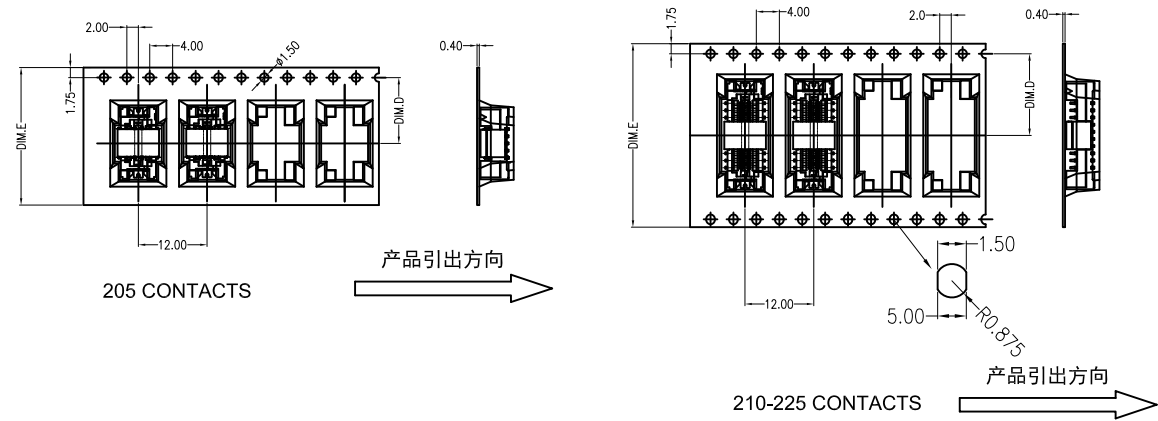
列表一

Circuits	DIM. D	DIM. E	Q'ty/Reel	Packing (Reel/Caton)
205 PIN	11.5	24	1000PCS	15/Reel
210 PIN	14.2	32	1000PCS	11/Reel
215-220 PIN	20.2	44	1000PCS	8/Reel
225 PIN	26.2	56	1000PCS	7/Reel

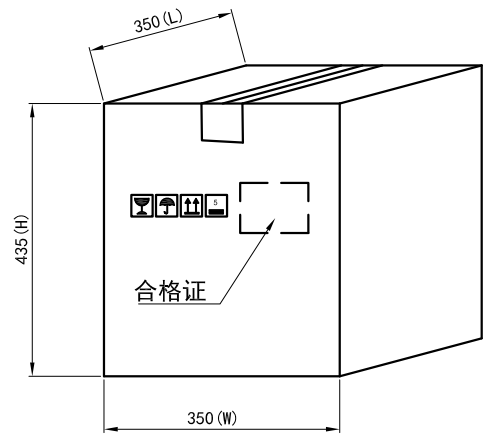
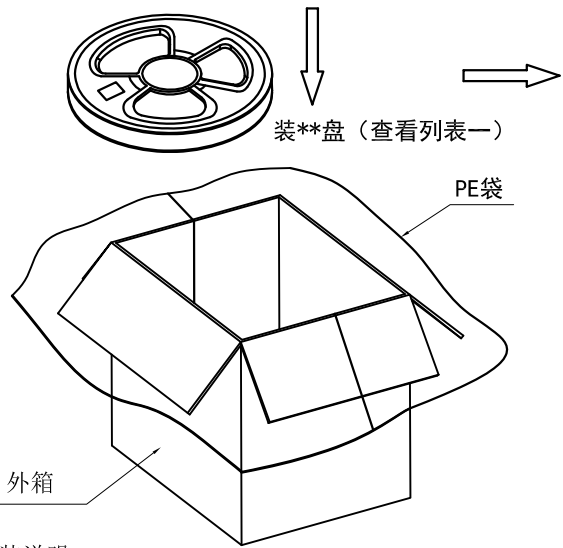
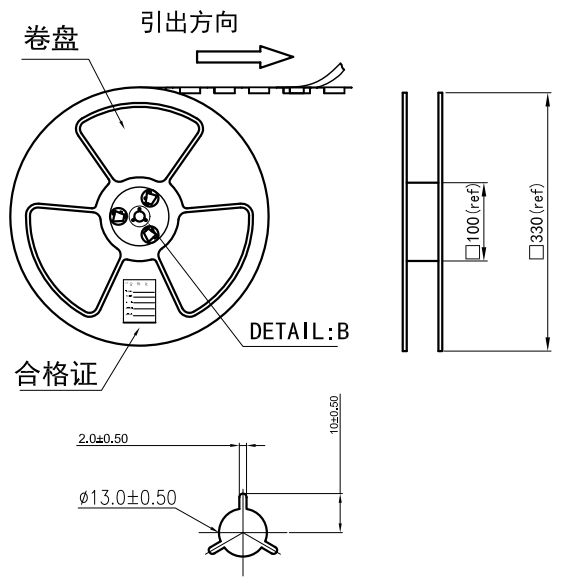
- 包装说明:
- 把成品包入卷盘中, 每盘装1000PCS, 卷盘上贴上合格证, 将装好产品的卷盘放进外箱中, 外箱内先套一个大PE袋, 外箱上贴贴上合格证.
 - 所有材料有害物控制需符合RoHS标准.

JKUN 温州健坤接插件有限公司 WENZHOU JKUN CONNECTOR CO., LTD.			TITLE: -	
X.± 0.5	X.±*	USE: MANUFACTURE	PART NO.: A1258AWVB 包装规范	
.X± 0.3	.X±*		DWG NO.: JKUN/GCBZ-0860	
.XX± 0.25	.XX±*	APPD: 邵敬和		
--	--	CHKD: 蒋建银		
⊕	☞	DR: 陈志明	SCALE 1 : 1	SHEET 1 / 1

REV	ECN No.	DESCRIPTION	DESIGN	DATE
A		Release	陈志明	2021.05.13



(PET膜剥离示意图)



列表一

Circuits	DIM. D	DIM. E	Q'ty/Reel	Packing (Reel/Caton)
205 PIN	11.5	24	1000PCS	15/Reel
210 PIN	14.2	32	1000PCS	11/Reel
215-220 PIN	20.2	44	1000PCS	8/Reel
225 PIN	26.2	56	1000PCS	7/Reel

- 包装说明:
- 把成品包入卷盘中, 每盘装1000PCS, 卷盘上贴上合格证, 将装好产品的卷盘放进外箱中, 外箱内先套一个大PE袋, 外箱上贴贴上合格证.
 - 所有材料有害物控制需符合RoHS标准.

JKUN 温州健坤接插件有限公司 WENZHOU JKUN CONNECTOR CO., LTD.			TITLE: -	
X.± 0.5	X.±*	USE: MANUFACTURE	PART NO.: A1258AWV 包装规范	
.X± 0.3	.X±*		DWG NO.: JKUN/GCBZ-0881	
.XX± 0.25	.XX±*	APPD: 邵敬和		
--	--	CHKD: 蒋建银		
⊕	∠	DR: 陈志明	SCALE 1 : 1	SHEET 1 / 1