

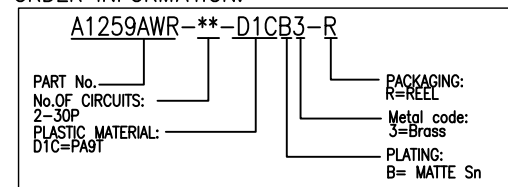
PCB LAYOUT(Tolerance:±0.05)

REV	DESCRIPTION	DESIGN	DATE
A	NEW RELEASE	FangSongLe	2020/12/09

Specifications:

- Poles: 2 to 30
- Contact resistance: ≤30mΩ
- Insulation resistance: ≥500MΩ
- Rated voltage: 150V AC DC
- Rated current: 1A AC DC
- Withstand Voltage: 500V AC/minute
- Temperature Range: -25°C ~ +85°C
- Housing: PA9T UL94V-0, Natural
- Contacts: Brass/ MATTE Sn-plated
- Solder tabs: Brass/MATTE Sn-plated

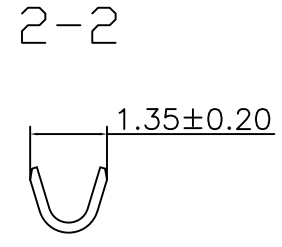
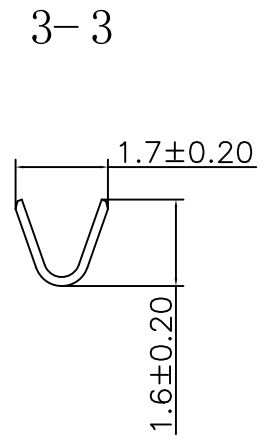
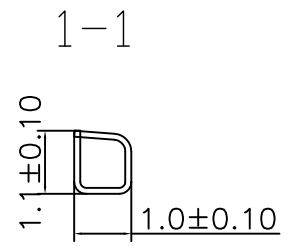
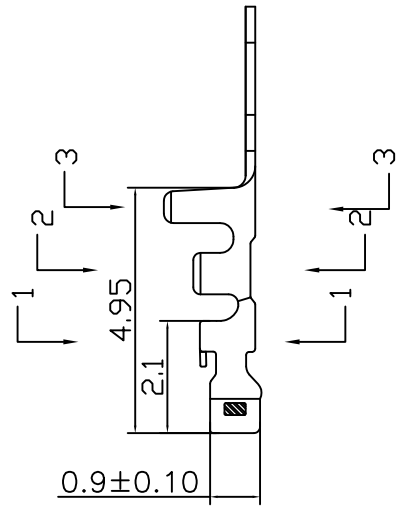
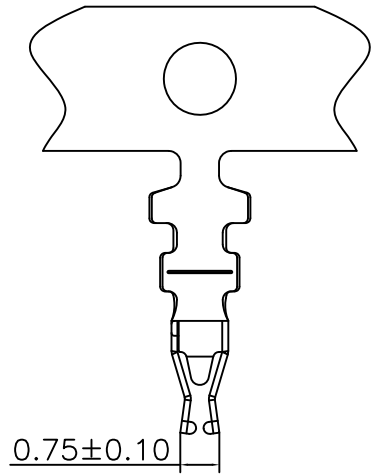
ORDER INFORMATION:



PIN	DIM A	DIM B	PIN	DIM A	DIM B
2P	1.25	7.45	*12P	13.75	19.95
3P	2.50	8.70	*13P	15.00	21.20
4P	3.75	9.95	*14P	16.25	22.45
5P	5.00	11.20	15P	17.50	23.70
*6P	6.25	12.45	*20P	23.75	29.95
*7P	7.50	13.70	*21P	25.00	31.20
*8P	8.75	14.95	25P	30.00	36.20
*9P	10.00	16.20	30P	36.25	42.45
10P	11.25	17.45			
*11P	12.50	18.70			

<b>JKUN</b> 温州健坤接插件有限公司 WENZHOU JKUN CONNECTOR CO.,LTD.		TITLE: 1.25 Pitch Wafer 90° SMT	
GENERAL TOLERANCE		USE:	PART NO.:
X. ±0.50	X. ±5°	CUSTOMER	A1259AWR-**-D1CB3-R
X.X ±0.30	X.X ±2°	APPD: Liuzhengling	DWG NO.:
X.XX ±0.20	X.XX ±1°	CHKD: Steven	JKUN-GCKH-0857
	UNITS: mm	DR: FangSongLe	SCALE
			1 : 1
			SHEET
			1 / 1

REV	DESCRIPTION	DESIGN	DATE
A0	NEW RELEASE	蒋建银	2020/12/16



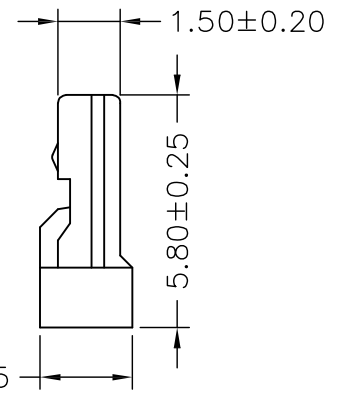
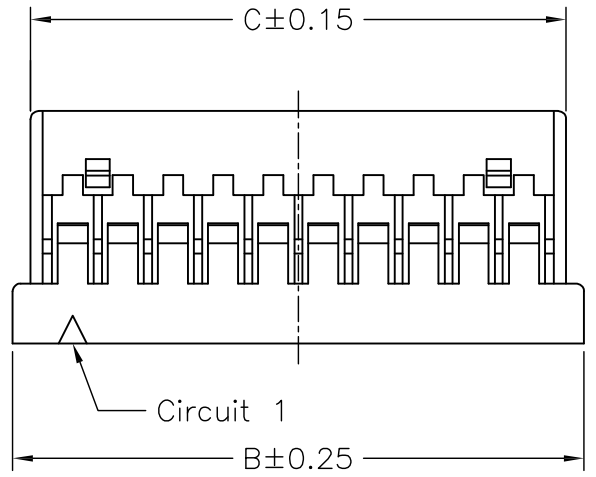
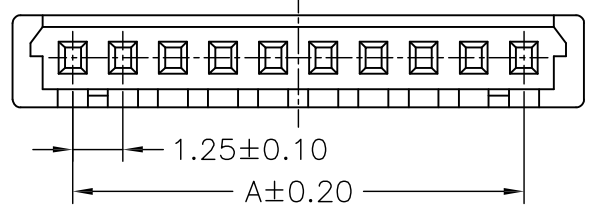
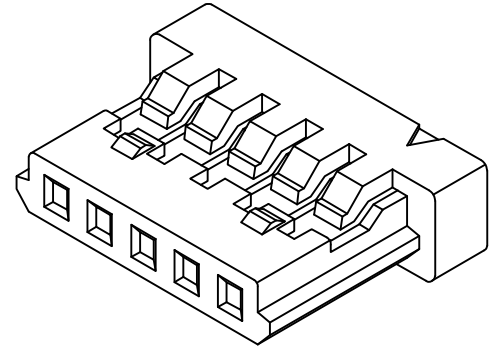
Ordering Information & Specification:

Part No	Wire Range	Insulation O.D.	Material	Finish	Qty/Reel
A1259T-03端子	AWG #28~#32	0.80mm(max)	Phosphor bronze	Sn-plated	

<b>JKUN</b> 温州健坤接插件有限公司 WENZHOU JKUN CONNECTOR CO.,LTD.		TITLE: 1.25mm Terminal	
GENERAL TOLERANCE		USE: CUSTOMER	PART NO.:
X. ±0.50	X. ±5°	APPD: 邵敬和	A1259T-03端子
X.X ±0.30	X.X ±2°		DWG NO.:
X.XX ±0.20	X.XX ±1°	CHKD: 曾令青	-
UNITS: mm		DR: 蒋建银	SCALE 1 : 1
			SHEET 1 / 1

REV	DESCRIPTION	DESIGN	DATE
A0	NEW RELEASE	蒋建银	2020/12/16

PIN	DIM A	DIM B	DIM C
2	1.25	4.45	3.40
3	2.5	5.7	4.65
4	3.75	6.95	5.90
5	5.0	8.2	7.15
6	6.25	9.45	8.40
7	7.5	10.7	9.65
8	8.75	11.95	10.90
9	10.0	13.2	12.15
10	11.25	14.45	13.40
11	12.5	15.7	14.65
12	13.75	16.95	15.90
13	15.0	18.2	17.15
14	16.25	19.45	18.40
15	17.5	20.7	19.65



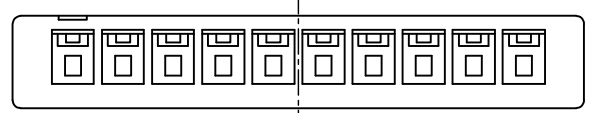
**Specifications:**  
 Contact resistance: ≤30mΩ  
 Insulation resistance: ≥500MΩ  
 Rated voltage: 150V AC DC  
 Rated current: 1.0A AC DC  
 Withstand Voltage: 500V AC/minute  
 Temperature Range: -25℃ ~ +85℃  
 Housing: PA66 UL94V-0, Natural (Beige)

**ORDER INFORMATION:**

A1259Y-\*\*-A5M-P-3

PART No. \_\_\_\_\_  
 No.OF CIRCUITS: \_\_\_\_\_  
 \*\*  
 PLASTIC MATERIAL: \_\_\_\_\_  
 A5M=PA66(BEIGE)

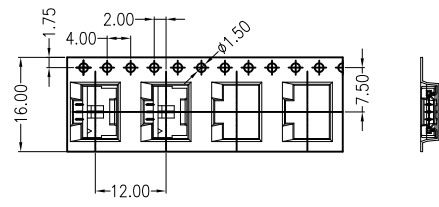
PACKAGING:  
 P=PE



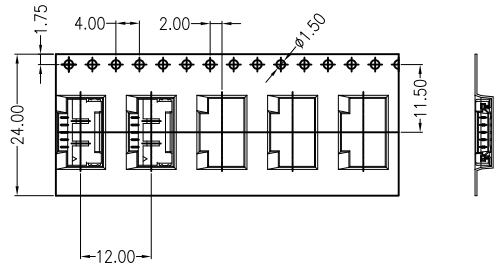
<b>JKUN</b> 温州健坤接插件有限公司 WENZHOU JKUN CONNECTOR CO.,LTD.		TITLE: 1.25mm housing	
GENERAL TOLERANCE		USE: CUSTOMER	PART NO.:
X. ±0.50	X. ±5°	APPD: 邵敬和	A1259Y-**-A5M-P-3
X.X ±0.30	X.X ±2°	CHKD: 曾令青	DWG NO.:
X.XX ±0.20	X.XX ±1°	DR: 蒋建银	-
UNITS: mm		SCALE 1 : 1	SHEET 1 / 1

REV	ECN No.	DESCRIPTION	DESIGN	DATE
A		Release	蒋建银	2018.08.22

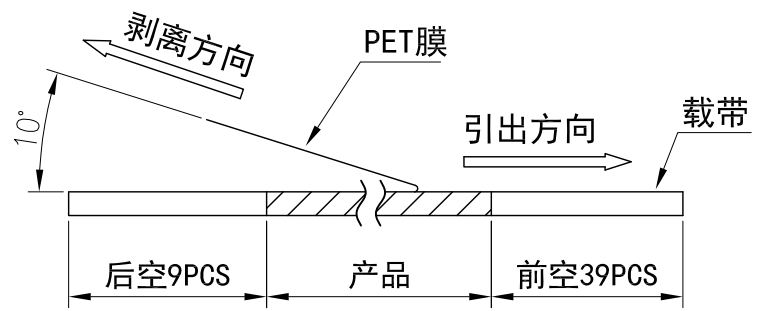
产品引出方向



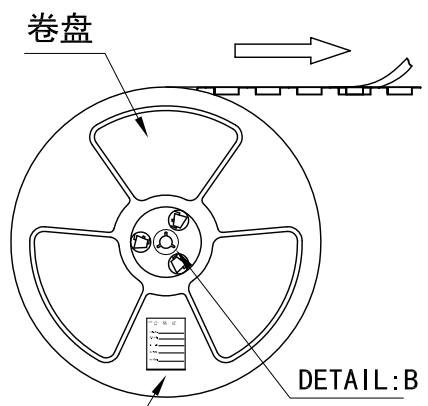
02~03 CONTACTS



4~7 CONTACTS

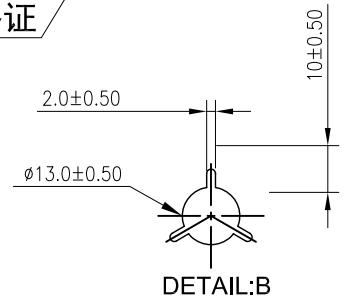


(PET膜剥离示意图)

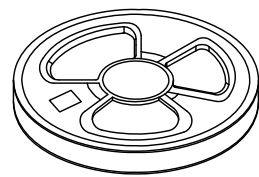


合格证

DETAIL: B

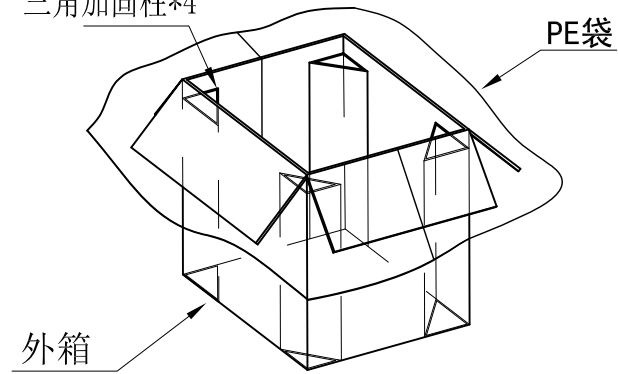


DETAIL: B

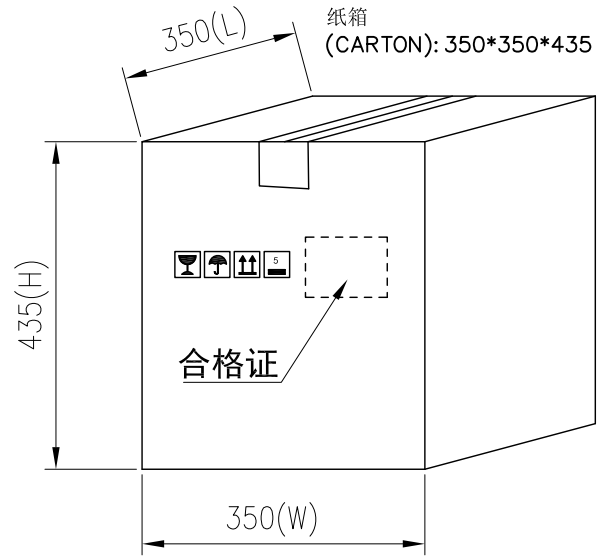


装\*\*盘 (列表一)

三角加固柱\*4



外箱



纸箱 (CARTON): 350\*350\*435

合格证

列表一

Circuits	DIM. D	DIM. E	Q'ty/Reel	Packing (Reel/Caton)
02~03PIN	7.5	16	2000PCS	20/Reel
04~07PIN	11.50	24	2000PCS	15/Reel

包装说明:

- 把成品包入卷盘中, 每盘装2000PCS, 卷盘上贴上合格证, 将装好产品的卷盘放进外箱中, 外箱内先套一个大PE袋, 外箱上贴贴上合格证。
- 所有材料有害物控制需符合RoHS标准。

JKUN 温州健坤接插件有限公司 WENZHOU JKUN CONNECTOR CO., LTD.			TITLE:	
X.± 0.5	X.±*	USE:	PART NO.:	
.X± 0.3	.X±*	CUSTOMER	A1259AWR 卷装	
.XX±0.25	.XX±*	APPD: 邵敬和	DWG NO.:	
--	--	CHKD: 田峰	JKUN-GCBZ-0857	
		DR: 蒋建银	SCALE	SHEET
	UNITS: mm		1 : 1	1 / 1